

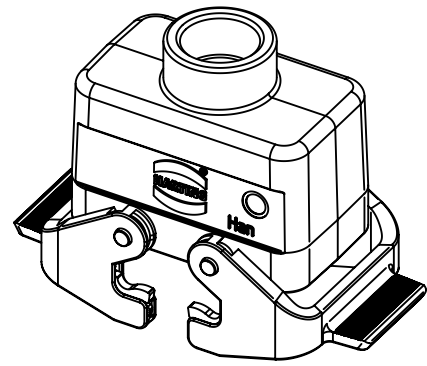
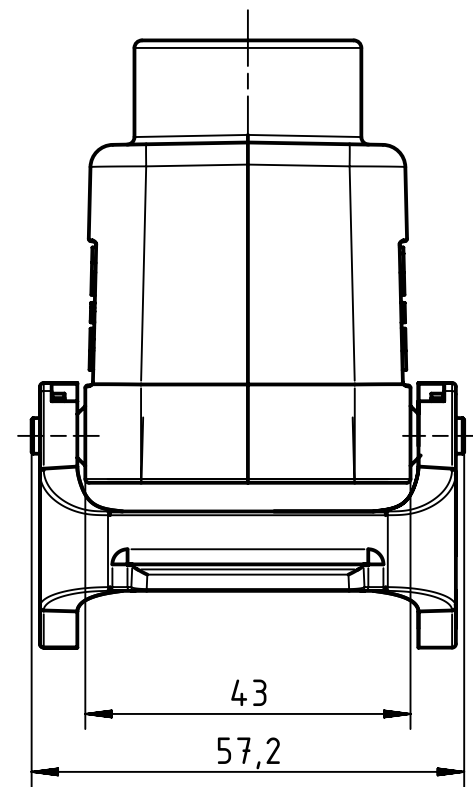
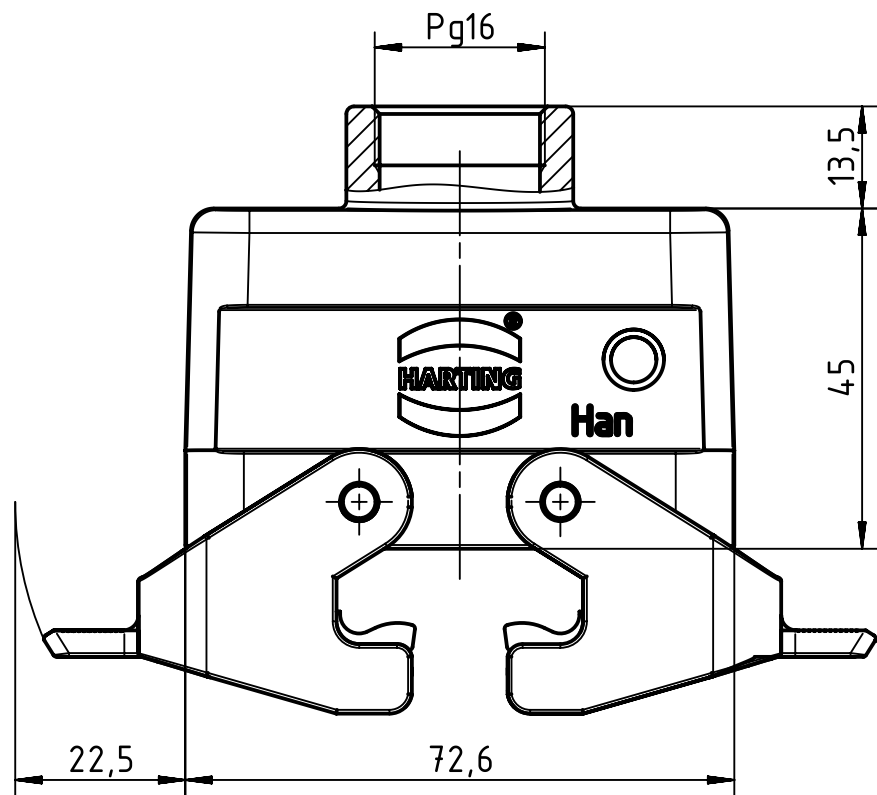
1 2 3 4 5 6

A

B

C

D



	All Dimensions in mm Original Size DIN A4		Scale 1:1	Free size tol.		Ref.
						Sub.
	All rights reserved		Created by RULLKOETTER	Inspected by BERGHORN	Standardisation TIEMANNA	Date 2013-08-14
	Department EL PD - DE					State Final Release
HARTING Electric GmbH & Co. KG D-32339 Espelkamp			Title Han B Hood Top Entry LC 2 Levers PG 16			Doc-Key / ECM-Nr. 100192221/UGD/004/A 500000065375
			Type TB	Number 09 30 010 1431		Rev. A Page 1/1