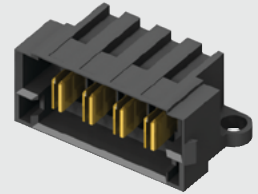
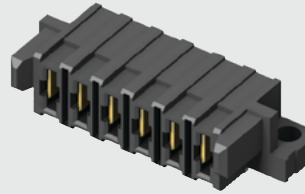


MPS-06-01-01-L-RA-SD



MPT-04-01-01-L-RA-SD

(5.00 mm) .1969"

MPT-RA, MPS-RA SERIES

# RIGHT-ANGLE 30 A POWER CONNECTORS

MPT-RA Mates with:  
MPS, MPSS

MPS-RA Mates with:  
MPT

## SPECIFICATIONS

For complete specifications see [www.samtec.com?MPT](http://www.samtec.com?MPT) or [www.samtec.com?MPS](http://www.samtec.com?MPS)

**Insulator Material:**

Black LCP

**Terminal Material:**

Copper Alloy

**Plating:**

Sn or Au over

50 μm (1.27 μm) Ni

**Operating Temp Range:**

-55 °C to +105 °C with Tin;

-55 °C to +125 °C with Gold

**Voltage Rating:**

575 VAC/812 VDC

**Standard Creepage:**

(2.86 mm) .113"

**Standard Clearance:**

(2.71 mm) .106"

**RoHS Compliant:**

Yes

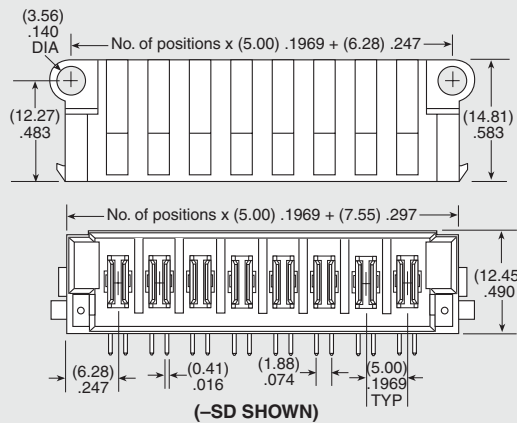
**Lead-Free Solderable:**

Yes

MPT-RA/MPS-RA	
POWER PINS	CURRENT RATING (PER CONTACT)
1	23.3 A
2	20.5 A
3	19.4 A
4	18.4 A
8	17.2 A
-L PLATING	



-02, -04, -06, -08



**-01**  
= Use with (1.60 mm) .062" Thick PCB

**-03**  
= Use with (2.36 mm) .093" Thick PCB

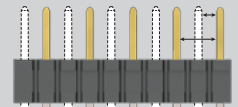
**-L**  
= 10 μm (0.25 μm) Gold on contact, Matte Tin on tail

**-T**  
= Matte Tin



• Screw downs

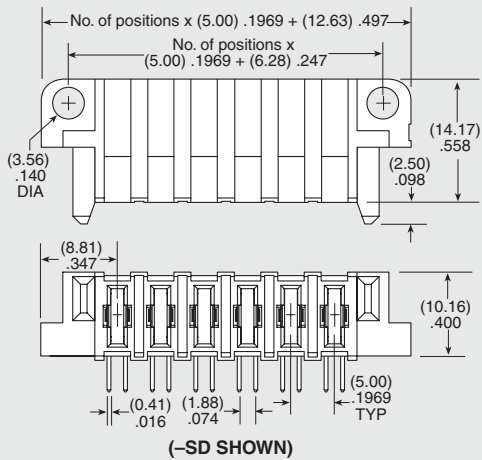
## CREEPAGE AND CLEARANCE



Selectively loading contacts achieves customer specific creepage and clearance requirements.  
Contact [asp@samtec.com](mailto:asp@samtec.com)



-02, -04, -06, -08



**-01**  
= Use with (1.60 mm) .062" Thick PCB

**-03**  
= Use with (2.36 mm) .093" Thick PCB

**-L**  
= 10 μm (0.25 μm) Gold on contact, Matte Tin on tail

**-T**  
= Matte Tin

## ALSO AVAILABLE (MOQ Required)

- Other sizes
- Locking Clip (Manual placement required)

## RECOGNITIONS

For complete scope of recognitions see [www.samtec.com/quality](http://www.samtec.com/quality)



## OTHER SOLUTIONS

- Power/Signal combination headers & sockets (see MPTC or MPSC Series)
- High Power Headers (see PET Series)
- High Power Sockets (see PES Series)
- Vertical (see MPT or MPS Series)

**Note:** Some sizes, styles and options are non-standard, non-returnable.

Due to technical progress, all designs, specifications and components are subject to change without notice.

[WWW.SAMTEC.COM](http://WWW.SAMTEC.COM)

All parts within this catalog are built to Samtec's specifications. Customer specific requirements must be approved by Samtec and identified in a Samtec customer-specific drawing to apply.

# Mouser Electronics

Authorized Distributor

Click to View Pricing, Inventory, Delivery & Lifecycle Information:

## Samtec:

[MPT-08-01-01-L-RA-SD](#) [MPS-04-01-01-L-RA-SD](#) [MPT-04-01-03-L-RA-SD](#) [MPT-03-01-01-L-RA-SD](#) [MPS-08-01-01-L-RA-SD](#) [MPT-02-01-03-L-RA-SD](#) [MPT-04-01-01-L-RA-SD](#) [MPT-03-01-01-T-RA-SD](#) [MPS-06-01-01-L-RA-SD](#) [MPT-06-01-01-T-RA-SD](#) [MPS-02-01-01-L-RA-SD](#) [MPT-04-01-01-L-RA-LC](#) [MPT-06-01-03-L-RA-SD](#) [MPT-02-01-01-L-RA-SD](#) [MPT-08-01-01-T-RA-SD](#) [MPT-06-01-01-L-RA-SD](#) [MPT-02-01-01-T-RA-SD](#) [MPT-08-01-01-L-RA-LC](#) [MPT-02-01-01-L-RA-LC](#) [MPT-02-01-01-T-RA-LC](#) [MPT-08-01-01-T-RA-LC](#) [MPT-04-01-01-T-RA-LC](#) [MPT-04-01-01-T-RA-SD](#) [MPT-06-01-01-L-RA-LC](#) [MPT-06-01-03-T-RA-SD](#) [MPT-06-01-03-L-RA-LC](#) [MPT-08-01-03-L-RA-SD](#) [MPT-02-01-03-L-RA-LC](#) [MPT-04-01-03-T-RA-LC](#) [MPT-04-01-03-T-RA-SD](#) [MPT-06-01-03-T-RA-LC](#) [MPS-04-01-01-L-RA-LC](#) [MPT-02-01-03-T-RA-SD](#) [MPT-04-01-03-L-RA-LC](#) [MPT-06-01-01-T-RA-LC](#) [MPT-08-01-03-L-RA-LC](#) [MPT-08-01-03-T-RA-SD](#) [MPS-08-01-01-T-RA-SD](#) [MPS-08-01-03-T-RA-SD](#) [MPS-04-01-01-T-RA-SD](#) [MPS-08-01-01-L-RA-LC](#) [MPS-06-01-01-T-RA-SD](#) [MPS-02-01-01-T-RA-SD](#) [MPS-04-01-03-L-RA-SD](#) [MPS-08-01-01-L-RA](#) [MPT-03-01-03-L-RA-SD](#) [MPT-02-01-03-T-RA-LC](#) [MPS-04-01-03-L-RA-LC](#) [MPS-08-01-03-L-RA-SD](#) [MPS-06-01-03-L-RA-SD](#) [MPS-06-01-03-T-RA-SD](#) [MPS-06-01-03-L-RA-LC](#)