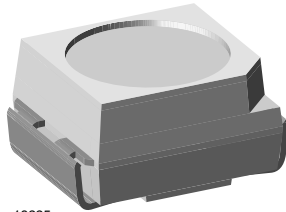


Low Current SMD LED PLCC-2



19225

DESCRIPTION

These new devices have been designed to meet the increasing demand for AlInGaP based low current SMD LEDs.

The package of the VLM.30.. is the PLCC-2 package.

It consists of a lead frame which is embedded in a white thermoplast. The reflector inside this package is filled up with clear epoxy.

PRODUCT GROUP AND PACKAGE DATA

- Product group: LED
- Package: SMD PLCC-2
- Product series: low current
- Angle of half intensity: $\pm 60^\circ$

FEATURES

- SMD LED with exceptional brightness
- Compatible with automatic placement equipment
- EIA and ICE standard package
- Compatible with IR reflow, vapor phase and wave solder processes according to CECC 00802 and J-STD-020
- Available in 8 mm tape
- Low profile package
- Non-diffused lens: excellent for coupling to light pipes and backlighting
- Very low power consumption
- Luminous intensity ratio in one packaging unit $I_{Vmax}/I_{Vmin} \leq 1.6$
- ESD withstand voltage: up to 2 kV according to JESD22-A114-B
- Preconditioning according to JEDEC® level 2a
- AEC-Q101 qualified
- Material categorization: for definitions of compliance please see www.vishay.com/doc?99912



APPLICATIONS

- Automotive: backlighting in dashboards and switches
- Telecommunication: indicator and backlighting in telephone and fax
- Indicator and backlight for audio and video equipment
- Indicator and backlight for battery driven equipment
- Indicator and backlight in office equipment
- Flat backlight for LCDs, switches, and symbols
- General use

| PARTS TABLE | | | | | | | | | | | | | | |
|-----------------|-----------|--------------------------|------|------|------------------------|-----------------|------|------|------------------------|---------------------|------|------|------------------------|------------|
| PART | COLOR | LUMINOUS INTENSITY (mcd) | | | at I _F (mA) | WAVELENGTH (nm) | | | at I _F (mA) | FORWARD VOLTAGE (V) | | | at I _F (mA) | TECHNOLOGY |
| | | MIN. | TYP. | MAX. | | MIN. | TYP. | MAX. | | MIN. | TYP. | MAX. | | |
| VLMS3000-GS08 | Super red | 2.8 | 10 | - | 2 | 624 | 630 | 636 | 2 | - | 1.8 | 2.2 | 2 | AllnGaP |
| VLMS3000-GS18 | Super red | 2.8 | 10 | - | 2 | 624 | 630 | 636 | 2 | - | 1.8 | 2.2 | 2 | AllnGaP |
| VLMS30J1K2-GS08 | Super red | 4.5 | 8.5 | 11.2 | 2 | 624 | 630 | 636 | 2 | - | 1.8 | 2.2 | 2 | AllnGaP |
| VLMS30J1K2-GS18 | Super red | 4.5 | 8.5 | 11.2 | 2 | 624 | 630 | 636 | 2 | - | 1.8 | 2.2 | 2 | AllnGaP |
| VLMS30K1L2-GS08 | Super red | 7.1 | 10.5 | 18 | 2 | 624 | 630 | 636 | 2 | - | 1.8 | 2.2 | 2 | AllnGaP |
| VLMS30K1L2-GS18 | Super red | 7.1 | 10.5 | 18 | 2 | 624 | 630 | 636 | 2 | - | 1.8 | 2.2 | 2 | AllnGaP |
| VLMS30J1L2-GS08 | Super red | 4.5 | 10 | 18 | 2 | 624 | 630 | 636 | 2 | - | 1.8 | 2.2 | 2 | AllnGaP |
| VLMS30J1L2-GS18 | Super red | 4.5 | 10 | 18 | 2 | 624 | 630 | 636 | 2 | - | 1.8 | 2.2 | 2 | AllnGaP |
| VLMS30J2K2-GS08 | Super red | 5.6 | 8.5 | 11.2 | 2 | 624 | 630 | 636 | 2 | - | 1.8 | 2.2 | 2 | AllnGaP |
| VLMS30J2K2-GS18 | Super red | 5.6 | 8.5 | 11.2 | 2 | 624 | 630 | 636 | 2 | - | 1.8 | 2.2 | 2 | AllnGaP |
| VLMS30K2L2-GS08 | Super red | 9 | 12 | 18 | 2 | 624 | 630 | 636 | 2 | - | 1.8 | 2.2 | 2 | AllnGaP |



| PARTS TABLE | | | | | | | | | | | | | | |
|-----------------|--------|--------------------------|------|------|------------------------|-----------------|------|------|------------------------|---------------------|------|------|------------------------|------------|
| PART | COLOR | LUMINOUS INTENSITY (mcd) | | | at I _F (mA) | WAVELENGTH (nm) | | | at I _F (mA) | FORWARD VOLTAGE (V) | | | at I _F (mA) | TECHNOLOGY |
| | | MIN. | TYP. | MAX. | | MIN. | TYP. | MAX. | | MIN. | TYP. | MAX. | | |
| VLMO30K1L2-GS08 | Orange | 7.1 | 15 | 18 | 2 | 600 | 605 | 609 | 2 | - | 1.8 | 2.2 | 2 | AllnGaP |
| VLMO30K1L2-GS18 | Orange | 7.1 | 15 | 18 | 2 | 600 | 605 | 609 | 2 | - | 1.8 | 2.2 | 2 | AllnGaP |
| VLMO30L1M2-GS08 | Orange | 11.2 | 16.5 | 28 | 2 | 600 | 605 | 609 | 2 | - | 1.8 | 2.2 | 2 | AllnGaP |
| VLMO30L1M2-GS18 | Orange | 11.2 | 16.5 | 28 | 2 | 600 | 605 | 609 | 2 | - | 1.8 | 2.2 | 2 | AllnGaP |
| VLMO30K1M2-GS08 | Orange | 7.1 | 16 | 28 | 2 | 600 | 605 | 609 | 2 | - | 1.8 | 2.2 | 2 | AllnGaP |
| VLMO30K1M2-GS18 | Orange | 7.1 | 16 | 28 | 2 | 600 | 605 | 609 | 2 | - | 1.8 | 2.2 | 2 | AllnGaP |
| VLMY3000-GS08 | Yellow | 4.5 | 11.6 | - | 2 | 581 | 587 | 594 | 2 | - | 1.8 | 2.2 | 2 | AllnGaP |
| VLMY3000-GS18 | Yellow | 4.5 | 11.6 | - | 2 | 581 | 587 | 594 | 2 | - | 1.8 | 2.2 | 2 | AllnGaP |
| VLMY3001-GS08 | Yellow | 7.1 | 11.8 | 18 | 2 | 581 | 587 | 594 | 2 | - | 1.8 | 2.2 | 2 | AllnGaP |
| VLMY3001-GS18 | Yellow | 7.1 | 11.8 | 18 | 2 | 581 | 587 | 594 | 2 | - | 1.8 | 2.2 | 2 | AllnGaP |
| VLMY30J2L1-GS08 | Yellow | 5.6 | 10.6 | 14 | 2 | 581 | 587 | 594 | 2 | - | 1.8 | 2.2 | 2 | AllnGaP |
| VLMY30J2L1-GS18 | Yellow | 5.6 | 10.6 | 14 | 2 | 581 | 587 | 594 | 2 | - | 1.8 | 2.2 | 2 | AllnGaP |
| VLMY30K2M1-GS08 | Yellow | 9 | 12.3 | 22.4 | 2 | 581 | 587 | 594 | 2 | - | 1.8 | 2.2 | 2 | AllnGaP |
| VLMY30K2M1-GS18 | Yellow | 9 | 12.3 | 22.4 | 2 | 581 | 587 | 594 | 2 | - | 1.8 | 2.2 | 2 | AllnGaP |
| VLMY30J2M1-GS08 | Yellow | 5.6 | 11.6 | 22.4 | 2 | 581 | 587 | 594 | 2 | - | 1.8 | 2.2 | 2 | AllnGaP |
| VLMY30J2M1-GS18 | Yellow | 5.6 | 11.6 | 22.4 | 2 | 581 | 587 | 594 | 2 | - | 1.8 | 2.2 | 2 | AllnGaP |

| ABSOLUTE MAXIMUM RATINGS (T _{amb} = 25 °C, unless otherwise specified) | | | | |
|---|--|-------------------|-------------|------|
| VLM30.. | | | | |
| PARAMETER | TEST CONDITION | SYMBOL | VALUE | UNIT |
| Reverse voltage ⁽¹⁾ | | V _R | 6 | V |
| DC forward current | | I _F | 15 | mA |
| Surge forward current | t _p ≤ 10 μs | I _{FSM} | 0.1 | A |
| Power dissipation | | P _V | 40 | mW |
| Junction temperature | | T _J | 125 | °C |
| Operating temperature range | | T _{amb} | -40 to +100 | °C |
| Storage temperature range | | T _{stg} | -40 to +100 | °C |
| Thermal resistance junction-to-ambient | Mounted on PC board (pad size > 16 mm ²) | R _{thJA} | 400 | K/W |

Note

⁽¹⁾ Driving the LED in reverse direction is suitable for short term application

| OPTICAL AND ELECTRICAL CHARACTERISTICS (T _{amb} = 25 °C, unless otherwise specified) | | | | | | | |
|---|------------------------|----------------|----------------|------|------|------|------|
| VLMO30.., RED | | | | | | | |
| PARAMETER | TEST CONDITION | PART | SYMBOL | MIN. | TYP. | MAX. | UNIT |
| Luminous intensity ⁽¹⁾ | I _F = 2 mA | VLMS3000 | I _V | 2.8 | 10 | - | mcd |
| | I _F = 2 mA | VLMS30J1K2 | I _V | 4.5 | 8.5 | 11.2 | mcd |
| | I _F = 2 mA | VLMS30K1L2 | I _V | 7.1 | 10.5 | 18 | mcd |
| | I _F = 2 mA | VLMS30J1L2 | I _V | 4.5 | 10 | 18 | mcd |
| | I _F = 2 mA | VLMS30J2K2 | I _V | 5.6 | 8.5 | 11.2 | mcd |
| I _F = 2 mA | VLMS30K2L2 | I _V | 9 | 12 | 18 | mcd | |
| Dominant wavelength | I _F = 2 mA | | λ _d | 624 | 630 | 636 | nm |
| Peak wavelength | I _F = 2 mA | | λ _p | - | 635 | - | nm |
| Angle of half intensity | I _F = 2 mA | | φ | - | ± 60 | - | ° |
| Forward voltage | I _F = 2 mA | | V _F | - | 1.8 | 2.2 | V |
| Reverse voltage | I _R = 10 μA | | V _R | 6 | 15 | - | V |

Note

⁽¹⁾ In one packing unit I_{Vmax}/I_{Vmin} ≤ 1.6

**OPTICAL AND ELECTRICAL CHARACTERISTICS** ($T_{amb} = 25\text{ }^{\circ}\text{C}$, unless otherwise specified)
VLMY30.., ORANGE

| PARAMETER | TEST CONDITION | PART | SYMBOL | MIN. | TYP. | MAX. | UNIT |
|-----------------------------------|-------------------------------|------------|-------------|------|----------|------|------------|
| Luminous intensity ⁽¹⁾ | $I_F = 2\text{ mA}$ | VLMO30K1L2 | I_V | 7.1 | 15 | 18 | mcd |
| | $I_F = 2\text{ mA}$ | VLMO30L1M2 | I_V | 11.2 | 16.5 | 28 | mcd |
| | $I_F = 2\text{ mA}$ | VLMO30K1M2 | I_V | 7.1 | 16 | 28 | mcd |
| Dominant wavelength | $I_F = 2\text{ mA}$ | | λ_d | 600 | 605 | 609 | nm |
| Peak wavelength | $I_F = 2\text{ mA}$ | | λ_p | - | 610 | - | nm |
| Angle of half intensity | $I_F = 2\text{ mA}$ | | ϕ | - | ± 60 | - | $^{\circ}$ |
| Forward voltage | $I_F = 2\text{ mA}$ | | V_F | - | 1.8 | 2.2 | V |
| Reverse voltage | $I_R = 10\text{ }\mu\text{A}$ | | V_R | 6 | 15 | - | V |

Note(1) In one packing unit $I_{Vmax}/I_{Vmin} \leq 1.6$ **OPTICAL AND ELECTRICAL CHARACTERISTICS** ($T_{amb} = 25\text{ }^{\circ}\text{C}$, unless otherwise specified)
VLMY30.., YELLOW

| PARAMETER | TEST CONDITION | PART | SYMBOL | MIN. | TYP. | MAX. | UNIT |
|-----------------------------------|-------------------------------|------------|-------------|------|----------|------|------------|
| Luminous intensity ⁽¹⁾ | $I_F = 2\text{ mA}$ | VLMY3000 | I_V | 4.5 | 11.6 | - | mcd |
| | $I_F = 2\text{ mA}$ | VLMY3001 | I_V | 7.1 | 11.8 | 18 | mcd |
| | $I_F = 2\text{ mA}$ | VLMY30J2L1 | I_V | 5.6 | 10.6 | 14 | mcd |
| | $I_F = 2\text{ mA}$ | VLMY30K2M1 | I_V | 9 | 12.3 | 22.4 | mcd |
| | $I_F = 2\text{ mA}$ | VLMY30J2M1 | I_V | 5.6 | 11.6 | 22.4 | mcd |
| Dominant wavelength | $I_F = 2\text{ mA}$ | | λ_d | 581 | 587 | 594 | nm |
| Peak wavelength | $I_F = 2\text{ mA}$ | | λ_p | - | 585 | - | nm |
| Angle of half intensity | $I_F = 2\text{ mA}$ | | ϕ | - | ± 60 | - | $^{\circ}$ |
| Forward voltage | $I_F = 2\text{ mA}$ | | V_F | - | 1.8 | 2.2 | V |
| Reverse voltage | $I_R = 10\text{ }\mu\text{A}$ | | V_R | 6 | 15 | - | V |

Note(1) In one packing unit $I_{Vmax}/I_{Vmin} \leq 1.6$ **LUMINOUS INTENSITY CLASSIFICATION**

| GROUP STANDARD | LIGHT INTENSITY (mcd) | | |
|----------------|-----------------------|------|------|
| | OPTIONAL | MIN. | MAX. |
| H | 1 | 2.8 | 3.55 |
| | 2 | 3.55 | 4.5 |
| J | 1 | 4.5 | 5.6 |
| | 2 | 5.6 | 7.1 |
| K | 1 | 7.1 | 9.0 |
| | 2 | 9.0 | 11.2 |
| L | 1 | 11.2 | 14.0 |
| | 2 | 14.0 | 18.0 |
| M | 1 | 18.0 | 22.4 |
| | 2 | 22.4 | 28.0 |

Note

- Luminous Intensity is tested at a current pulse duration of 25 ms and an accuracy of $\pm 11\%$. The above type numbers represent the order groups which include only a few brightness groups. Only one group will be shipped in one reel (there will be no mixing of two groups on each reel). In order to ensure availability, single brightness groups will not be orderable. In a similar manner for colors where wavelength groups are measured and binned, single wavelength groups will be shipped in any one reel. In order to ensure availability, single wavelength groups will not be orderable

| COLOR CLASSIFICATION | | | | |
|----------------------|----------------------|------|--------|------|
| GROUP | YELLOW | | ORANGE | |
| | DOM. WAVELENGTH (nm) | | | |
| | MIN. | MAX. | MIN. | MAX. |
| 1 | 581 | 584 | | |
| 2 | 583 | 586 | 600 | 603 |
| 3 | 585 | 588 | 602 | 605 |
| 4 | 587 | 590 | 604 | 607 |
| 5 | 589 | 592 | 606 | 609 |
| 6 | 591 | 594 | | |

Note

- Wavelengths are tested at a current pulse duration of 25 ms

| CROSSING TABLE | |
|----------------|-------------|
| VISHAY | OSRAM |
| VLMO30K1L2 | LOT67K-K1L2 |
| VLMO30K1M2 | LOT67K-K1M2 |
| VLMO30L1M2 | LOT67K-L1M2 |
| VLMS30J1K2 | LST67K-J1K2 |
| VLMS30J1L2 | LST67K-J1L2 |
| VLMS30K1L2 | LST67K-K1L2 |
| VLMY30J2L1 | LYT67K-J2L1 |
| VLMY30J2M1 | LYT67K-J2M1 |
| VLMY30K2M1 | LYT67K-K2M1 |

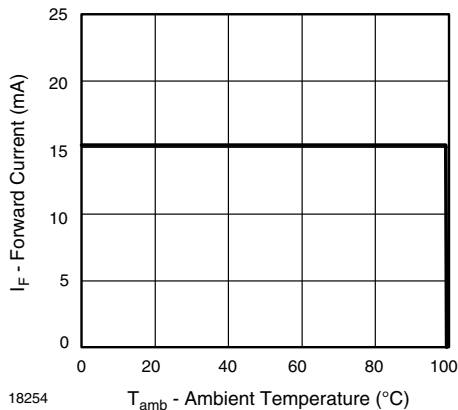
TYPICAL CHARACTERISTICS ($T_{amb} = 25\text{ }^{\circ}\text{C}$, unless otherwise specified)


Fig. 1 - Forward Current vs. Ambient Temperature

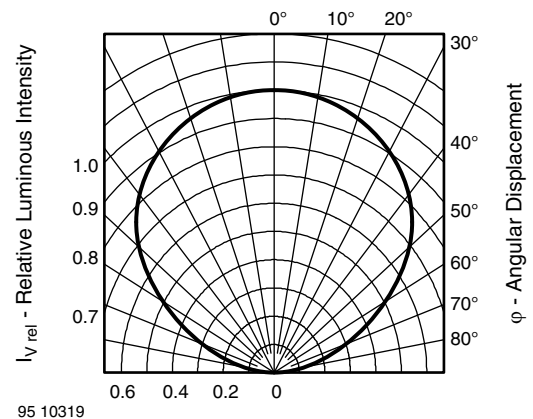


Fig. 3 - Relative Luminous Intensity vs. Angular Displacement

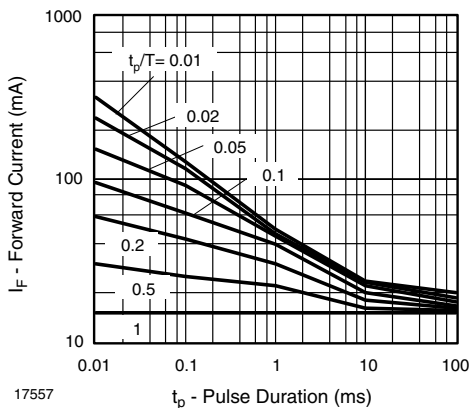


Fig. 2 - Forward Current vs. Pulse Length

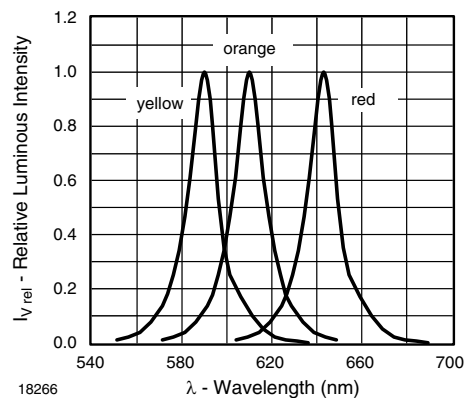


Fig. 4 - Relative Intensity vs. Wavelength



Fig. 5 - Forward Current vs. Forward Voltage

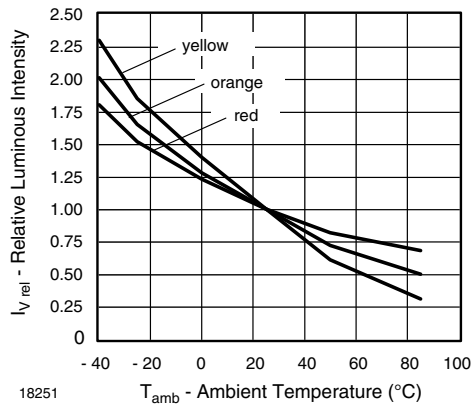


Fig. 6 - Relative Luminous Intensity vs. Ambient Temperature

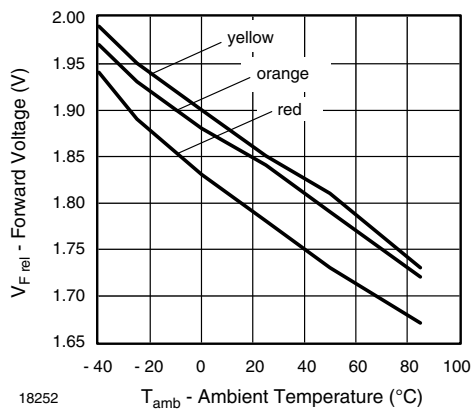
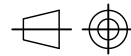


Fig. 7 - Forward Voltage vs. Ambient Temperature

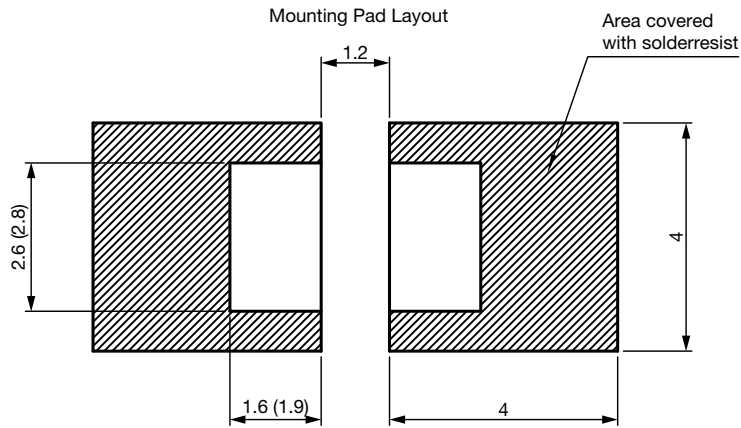


PACKAGE DIMENSIONS in millimeters



technical drawings
according to DIN
specifications

Drawing-No.: 6.541-5067.01-4
Issue: 7; 12.03.14

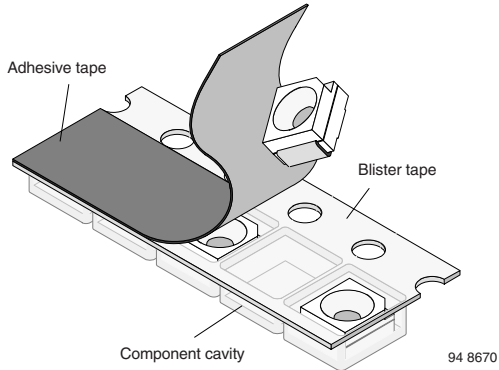


Dimensions: reflow and vapor phase (wave soldering)

METHOD OF TAPING / POLARITY AND TAPE AND REEL

SMD LED (VLM.3 - SERIES)

Vishay's LEDs in SMD packages are available in an antistatic 8 mm blister tape (in accordance with DIN IEC 40 (CO) 564) for automatic component insertion. The blister tape is a plastic strip with impressed component cavities, covered by a top tape.



REEL PACKAGE DIMENSION IN MILLIMETERS FOR SMD LEDs, TAPE OPTION GS18 (= 8000 PCS.) PREFERRED

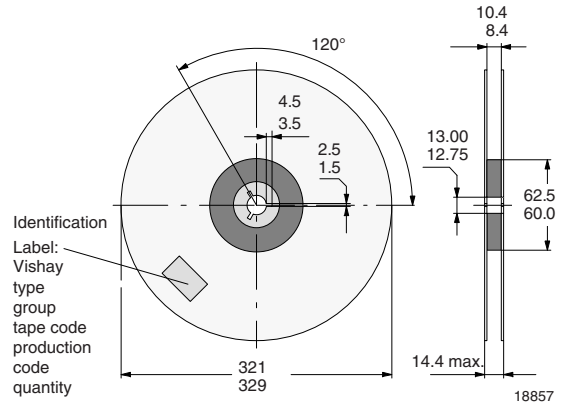


Fig. 10 - Reel Dimensions - GS18

TAPING OF VLM.3...

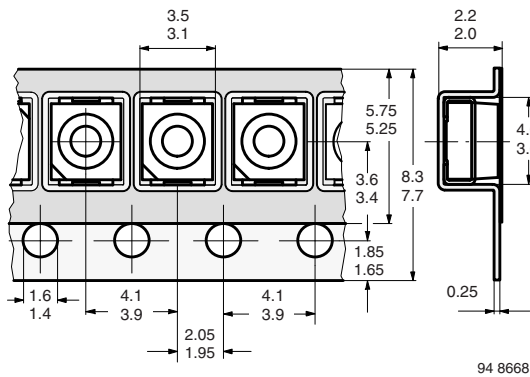


Fig. 8 - Tape Dimensions in mm for PLCC-2

SOLDERING PROFILE

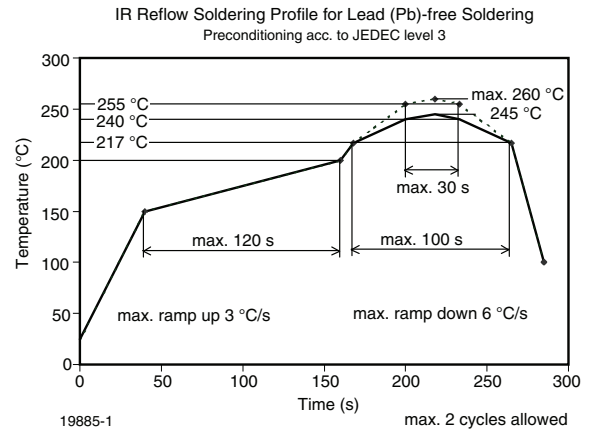


Fig. 11 - Vishay Lead (Pb)-free Reflow Soldering Profile (according to J-STD-020)

REEL PACKAGE DIMENSION IN MILLIMETERS FOR SMD LEDs, TAPE OPTION GS08 (= 1500 PCS.)

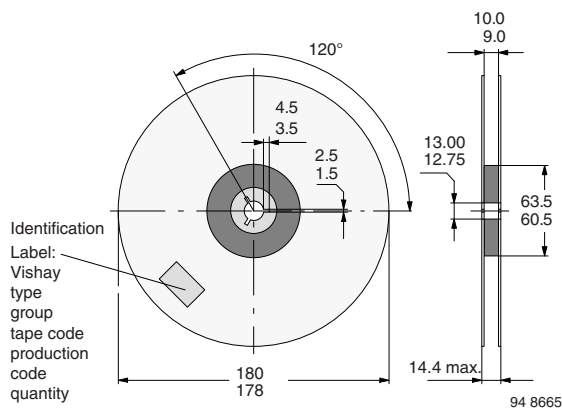


Fig. 9 - Reel Dimensions - GS08

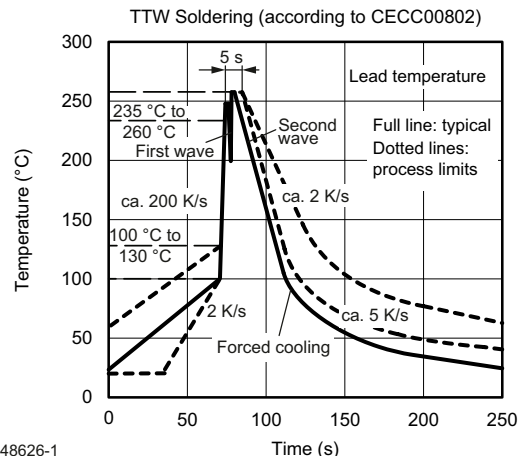
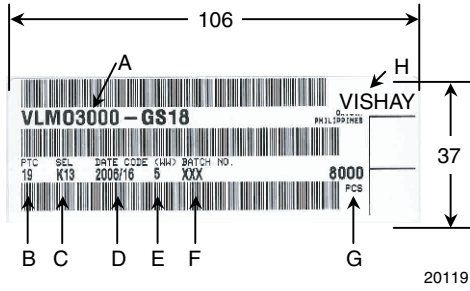


Fig. 12 - Double Wave Soldering of Opto Devices (all packages)



BAR CODE PRODUCT LABEL (example)



- A) Type of component
- B) Manufacturing plant
- C) SEL - selection code (bin):
e.g.: K1 = code for luminous intensity group
3 = code for color group
- D) Date code year / week
- E) Day code (e.g. 5: Friday)
- F) Batch no.
- G) Total quantity
- H) Company code



Disclaimer

ALL PRODUCT, PRODUCT SPECIFICATIONS AND DATA ARE SUBJECT TO CHANGE WITHOUT NOTICE TO IMPROVE RELIABILITY, FUNCTION OR DESIGN OR OTHERWISE.

Vishay Intertechnology, Inc., its affiliates, agents, and employees, and all persons acting on its or their behalf (collectively, "Vishay"), disclaim any and all liability for any errors, inaccuracies or incompleteness contained in any datasheet or in any other disclosure relating to any product.

Vishay makes no warranty, representation or guarantee regarding the suitability of the products for any particular purpose or the continuing production of any product. To the maximum extent permitted by applicable law, Vishay disclaims (i) any and all liability arising out of the application or use of any product, (ii) any and all liability, including without limitation special, consequential or incidental damages, and (iii) any and all implied warranties, including warranties of fitness for particular purpose, non-infringement and merchantability.

Statements regarding the suitability of products for certain types of applications are based on Vishay's knowledge of typical requirements that are often placed on Vishay products in generic applications. Such statements are not binding statements about the suitability of products for a particular application. It is the customer's responsibility to validate that a particular product with the properties described in the product specification is suitable for use in a particular application. Parameters provided in datasheets and / or specifications may vary in different applications and performance may vary over time. All operating parameters, including typical parameters, must be validated for each customer application by the customer's technical experts. Product specifications do not expand or otherwise modify Vishay's terms and conditions of purchase, including but not limited to the warranty expressed therein.

Except as expressly indicated in writing, Vishay products are not designed for use in medical, life-saving, or life-sustaining applications or for any other application in which the failure of the Vishay product could result in personal injury or death. Customers using or selling Vishay products not expressly indicated for use in such applications do so at their own risk. Please contact authorized Vishay personnel to obtain written terms and conditions regarding products designed for such applications.

No license, express or implied, by estoppel or otherwise, to any intellectual property rights is granted by this document or by any conduct of Vishay. Product names and markings noted herein may be trademarks of their respective owners.