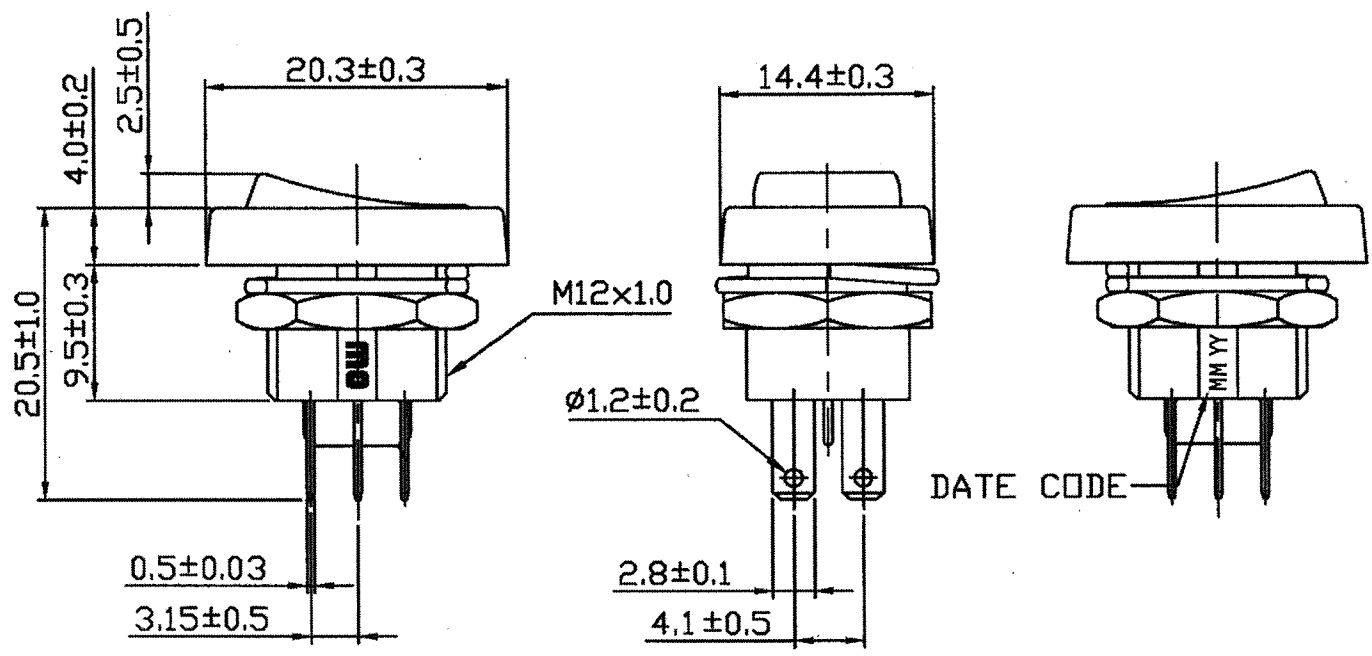
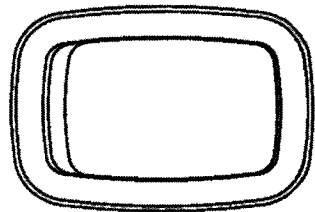


THIS INFORMATION IS CONFIDENTIAL AND PROPRIETARY TO CW INDUSTRIES INCORPORATED AND ITS AFFILIATES. IT MAY NOT BE DISCLOSED TO ANYONE, OTHER THAN CW INDUSTRIES PERSONNEL, WITHOUT WRITTEN AUTHORIZATION FROM CW INDUSTRIES INCORPORATED, SOUTHAMPTON, PENNSYLVANIA USA.

|  |                       |                          |                            |
|--|-----------------------|--------------------------|----------------------------|
| Rating   | 6A 125V, 3A 250V AC   | <b>Mounting Hole</b><br> | <b>Circuit Diagram</b><br> |
| Contact Resistance                                     | 50m ohm max.          |                          |                            |
| Insulation Resistance                                  | DC 500V 100M ohm min. |                          |                            |
| Dielectric Strength                                    | AC 1000V 1 minute     |                          |                            |
| <b>BASE COLOR: Black</b><br><b>BUTTON COLOR: Black</b> |                       | <b>DPDT ON - ON</b>      |                            |

Cut-Out 6.0 mm thk. max.



| Order Chart    |                |    |     |
|----------------|----------------|----|-----|
| Series         | Terminal Style |    |     |
| GRB213         | B              | 03 | B B |
| Function       |                |    |     |
| Frame Color    |                |    |     |
| Actuator Color |                |    |     |

R13-213B-03-BB

2 Updated dimensions. 4.1+/-0.5 was 4.7+/-0.5 & 0.5+/-0.03 was 0.5+/-0.05. DW 9-14-18  
 1 Removed  $\bar{A}$ , & © from ratings. 2/08/11.

|  |                             |        |                            |                            |
|--|-----------------------------|--------|----------------------------|----------------------------|
| <b>CW INDUSTRIES</b><br>Southampton, Pa. 18966<br>Tel 215.355.7080/www.cwind.com | Date Drawn: 12/18/09        | Rev. 2 | Unit: mm                   | Checked By: <i>G. GULD</i> |
|  | Title: <b>ROCKER SWITCH</b> |        | CW P/N: <b>GRB213B03BB</b> |                            |

# Mouser Electronics

Authorized Distributor

Click to View Pricing, Inventory, Delivery & Lifecycle Information:

[CW Industries:](#)

[GRB213B03BB](#)