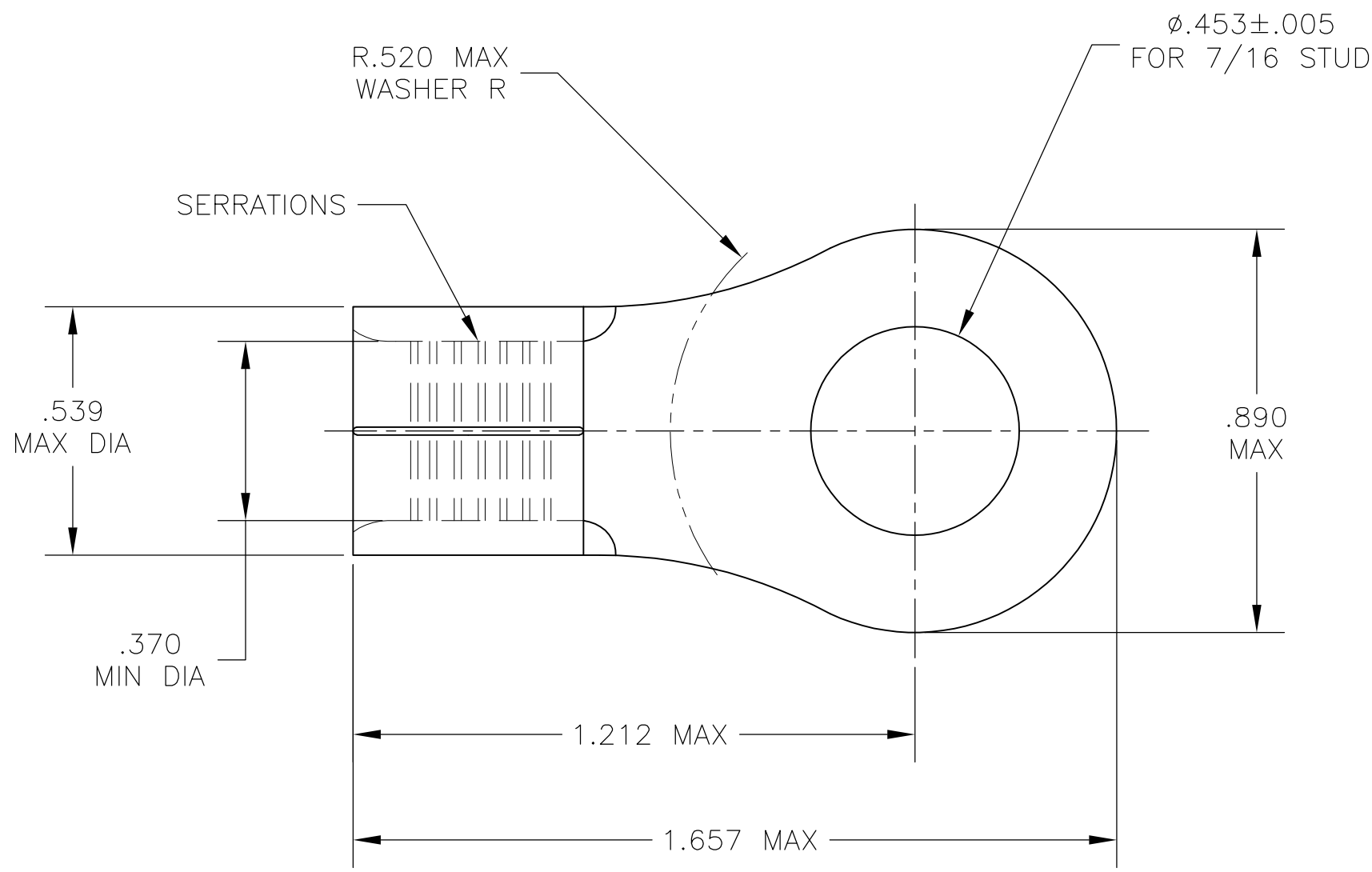


THIS DRAWING IS UNPUBLISHED. RELEASED FOR PUBLICATION  
 © COPYRIGHT - By - ALL RIGHTS RESERVED.

LOC	DIST	REVISIONS					
G	14	P	LTR	DESCRIPTION	DATE	DWN	APVD
			C1	REVISED PER ECO-15-006978	06JUN2015	NK	MM



- 1 TONGUE THK IS .070±.003.
- △2 COPPER PER ASTM B152, ANNEALED.
- △3 TIN PLATE 0.00254[.000100] MIN EXT THK PER ASTM B545.
- △4 GOLD PLATE 0.00127[0.000050] MIN EXT THK PER ASTM B488 TYPE 1 OVER NICKEL PLATE 0.00127[0.000050] MIN EXT THK PER QQ-N-290.
- △5 MEETS MS20659-148, CLASS 2
- △6 NICKEL PLATE 0.00762[0.000300] MIN EXT THK PER QQ-N-290.
- 7 26.7-42.4 sq-mm [52,600-83,700] CIR MILS, SOLID OR STRANDED.
- △8 UL LISTED, FILE E13288.
- △9 CSA CERTIFIED, FILE LR7189.
- △10 PRELIMINARY - NOT FOR PRODUCTION.

-	260°C MAX	50	LOOSE PIECE	△4	△10 2-320741-1
-	343°C MAX	50	LOOSE PIECE	△6	320741-1
△5 △8 △9	170°C MAX	50	LOOSE PIECE	△3	320741
APPROVALS	TEMPERATURE	QTY	PACKAGING TYPE	FINISH	PART NO

THIS DRAWING IS A CONTROLLED DOCUMENT.		DWN jr_ruth 03OCT03	<b>STE</b> TE Connectivity			
DIMENSIONS: INCHES		CHK MJ SPICER 03OCT03				
TOLERANCES UNLESS OTHERWISE SPECIFIED:		APVD MJ SPICER 03OCT03	NAME			
0 PLC ± - 1 PLC ± - 2 PLC ± - 3 PLC ± .008 4 PLC ± - ANGLES ± 5°		PRODUCT SPEC	TERMINAL, SOLISTRAND, RING TONGUE, WIRE SIZE : #2			
MATERIAL △2		APPLICATION SPEC	SIZE	CAGE CODE	DRAWING NO	RESTRICTED TO
FINISH SEE TABLE		WEIGHT -	A3	00779	C-320741	-
CUSTOMER DRAWING			SCALE 3:1	SHEET 1 OF 1	REV C1	

# Mouser Electronics

Authorized Distributor

Click to View Pricing, Inventory, Delivery & Lifecycle Information:

[TE Connectivity:](#)

[320741](#)