

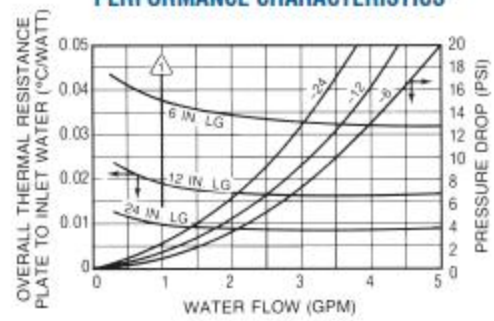
wakefield-vette

Standard P/N	Cold Plate Body Nominal Dimensions			Mounting Surfaces	Overall Length in. (mm)	Overall Thermal Resistance (Plate to Inlet Water)	Weight lbs (grams)
	Length "A" in. (mm)	Width in. (mm)	Thickness in. (mm)				
180-12-6C	6.000 (152.4)	7.750 (196.9)	0.658 (16.7)	Single	13.406 (340.5)	0.038°C/W @ 1.0 GPM	2.270 (1029.67)
180-12-12C	12.000 (304.8)	7.750 (196.9)	0.658 (16.7)	Single	19.406 (492.9)	0.018°C/W @ 1.0 GPM	4.300 (1950.48)
180-12-24C	24.000 (609.6)	7.750 (196.9)	0.658 (16.7)	Single	31.406 (797.7)	0.009°C/W @ 1.0 GPM	8.600 (3900.96)
180-20-6C	6.000 (152.4)	5.500 (139.7)	0.690 (17.5)	Double	13.125 (333.4)	0.038°C/W @ 1.0 GPM	1.090 (494.42)

LOCAL THERMAL RESISTANCE PER DEVICE PLATE TO INLET WATER (°C/WATT)

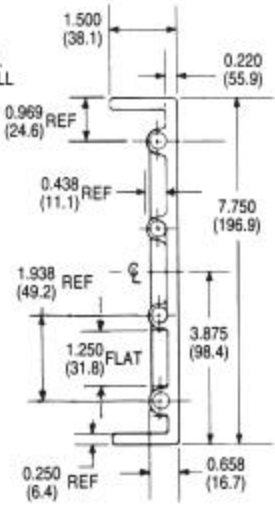
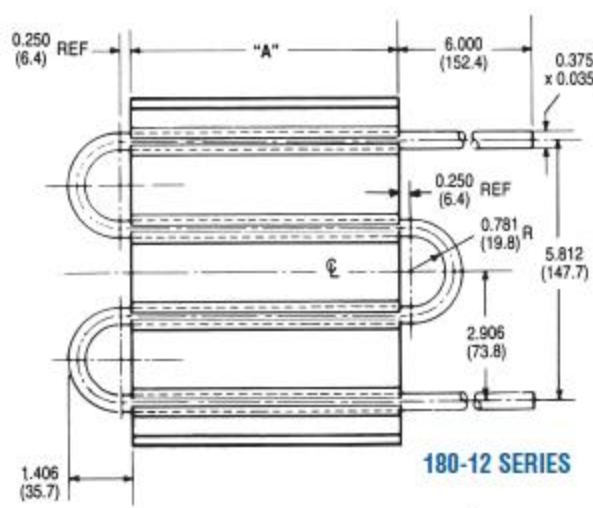
Q _c to Q _d Device Spacing Inches	Flow - GPM				
	1/2	1	2	3	4
1.0 (25.4)	0.76	0.67	0.62	0.59	0.57
2.0 (50.8)	0.58	0.49	0.43	0.40	0.39
3.0 (76.2)	0.42	0.34	0.30	0.28	0.27

PERFORMANCE CHARACTERISTICS

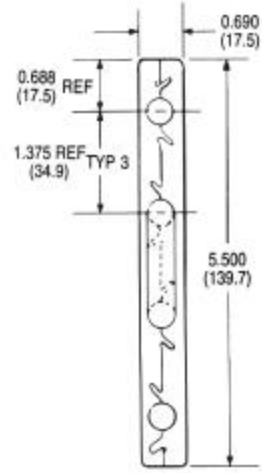
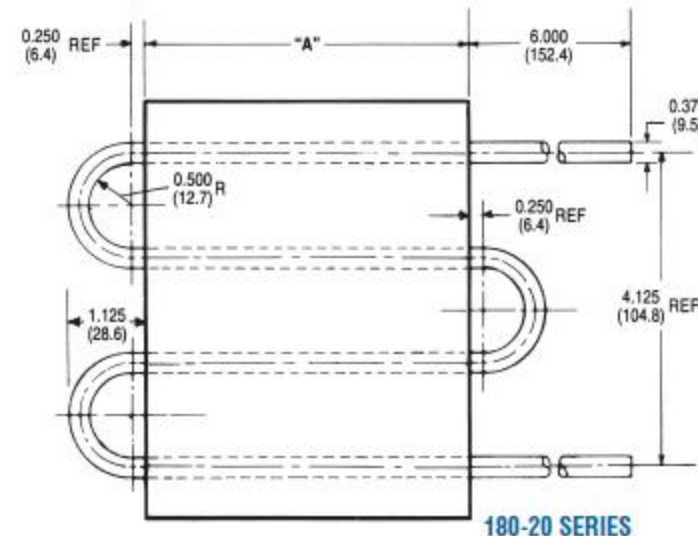


△ = RECOMMENDED MAXIMUM FLOW

MECHANICAL DIMENSIONS



Standard P/N	Length "A" in. (mm)
180-12-6C	6.000 (152.4)
180-12-12C	12.000 (304.8)
180-12-24C	24.000 (609.6)
180-20-6C	6.000 (152.4)



Dimensions: in. (mm)

Mouser Electronics

Authorized Distributor

Click to View Pricing, Inventory, Delivery & Lifecycle Information:

[Wakefield-Vette:](#)

[180-12-24C](#)