

(2.00 mm) .0787"

SQT SERIES

COST-EFFECTIVE RUGGED SOCKETS

SPECIFICATIONS

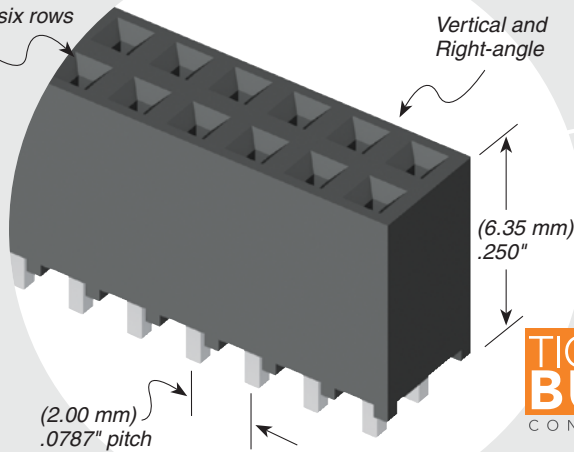
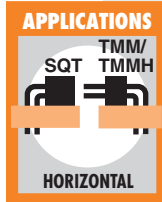
For complete specifications see www.samtec.com?SQT

- Insulator Material:** Black Liquid Crystal Polymer
- Contact Material:** Phosphor Bronze
- Plating:** Sn or Au over 50 μ" (1.27 μm) Ni
- Current Rating (TMMH/SQT):** 5.1 A per pin (2 pins powered)
- Voltage Rating:** 281 VAC mated with TMM; 250 VAC mated with TMMH
- Operating Temp Range:** -55 °C to +125 °C
- Insertion Depth:** (2.62 mm) .103" to (5.03 mm) .198"
- Normal Force:** 60 grams (0.59 N) average
- Max Cycles:** 100 with 10 μ" (0.25 μm) Au
- RoHS Compliant:** Yes
- Lead-Free Solderable:** Yes

- Board Mates:** TMMH, TMM, MTMM, MMT, TW, LTMM, ZLTMM, ESQT, PTT, TSH
- Cable Mates:** TCMD

Choice of one through six rows

Vertical and Right-angle

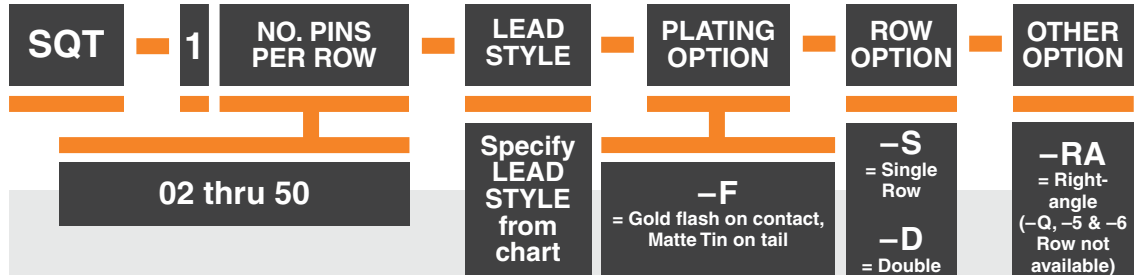


RECOGNITIONS

For complete scope of recognitions see www.samtec.com/quality



Note: Some lengths, styles and options are non-standard, non-returnable.



02 thru 50

Specify LEAD STYLE from chart

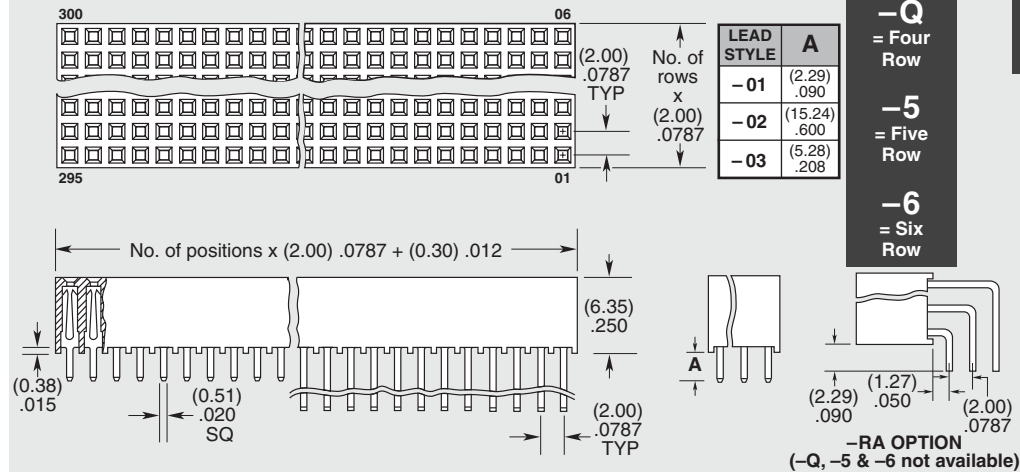
- F = Gold flash on contact, Matte Tin on tail
- L = 10 μ" (0.25 μm) Gold on contact, Matte Tin on tail

- S = Single Row
- D = Double Row
- T = Triple Row
- Q = Four Row
- 5 = Five Row
- 6 = Six Row

- RA = Right-angle (-Q, -5 & -6 Row not available) (Lead Style -01 only)
- "XXX" = Polarized Position (Indicate position number)

Other Solutions

- Elevated** See ESQT Series.
- Surface Mount** See SQW and TLE Series.
- Low Profile** See CLT Series.
- High Reliability** See SMM Series.
- Press-Fit** See PTF Series.



Due to technical progress, all designs, specifications and components are subject to change without notice.

Mouser Electronics

Authorized Distributor

Click to View Pricing, Inventory, Delivery & Lifecycle Information:

Samtec:

[SQT-108-01-L-D](#) [SQT-109-01-F-S](#) [SQT-120-01-L-D-RA](#) [SQT-110-01-L-S](#) [SQT-125-01-L-D](#) [SQT-105-01-L-D-RA](#)
[SQT-110-01-L-D](#) [SQT-117-01-L-D](#) [SQT-120-01-L-D](#) [SQT-116-01-F-D-RA](#) [SQT-104-01-L-S](#) [SQT-113-01-L-D](#) [SQT-120-01-L-S](#) [SQT-114-01-L-S](#) [SQT-105-01-L-D](#) [SQT-125-01-L-S-RA](#) [SQT-105-03-L-D](#) [SQT-111-01-F-S](#) [SQT-115-01-L-D-RA](#) [SQT-109-01-L-S](#) [SQT-125-01-F-D](#) [SQT-122-01-L-D](#) [SQT-110-01-L-D-RA](#) [SQT-115-01-L-D](#) [SQT-106-01-L-D](#)
[SQT-103-01-L-D](#) [SQT-104-01-F-S](#) [SQT-102-01-F-S](#) [SQT-104-01-L-D](#) [SQT-115-01-L-S](#) [SQT-105-01-F-S](#) [SQT-116-01-L-S](#) [SQT-118-01-L-S](#) [SQT-102-01-L-S](#) [SQT-108-01-F-D](#) [SQT-103-03-L-S](#) [SQT-104-01-F-D](#) [SQT-130-01-F-Q](#) [SQT-127-01-L-D](#) [SQT-105-01-F-D](#) [SQT-102-01-F-D-RA](#) [SQT-122-01-L-S-RA](#) [SQT-121-01-L-D-RA](#) [SQT-132-01-L-D](#) [SQT-102-01-L-S-RA](#) [SQT-103-03-L-D](#) [SQT-120-01-L-S-RA](#) [SQT-110-01-L-S-RA-007](#) [SQT-114-01-L-D](#) [SQT-132-01-F-D](#) [SQT-103-01-L-D-RA](#) [SQT-106-01-LM-S-RA](#) [SQT-108-03-L-D](#) [SQT-111-01-L-D](#) [SQT-107-01-L-S-RA](#) [SQT-104-01-LM-D-RA](#) [SQT-118-01-L-D-RA](#) [SQT-118-01-F-D](#) [SQT-135-01-L-D](#) [SQT-105-03-F-D](#) [SQT-105-03-G-D](#) [SQT-110-03-L-D](#) [SQT-109-01-LM-S](#) [SQT-125-01-F-D-RA](#) [SQT-117-01-F-D](#) [SQT-122-01-FM-D-RA](#) [SQT-116-01-L-D](#) [SQT-105-01-L-S-RA](#) [SQT-103-01-F-S-RA](#) [SQT-111-01-L-S](#) [SQT-122-01-F-D-RA](#) [SQT-150-01-L-S-RA](#) [SQT-117-01-F-S](#) [SQT-126-01-F-D-RA](#) [SQT-127-01-L-D-RA](#) [SQT-115-01-F-D-RA](#) [SQT-103-01-F-S](#) [SQT-107-01-F-S](#) [SQT-110-01-LM-S](#) [SQT-113-01-F-D](#) [SQT-125-01-L-D-RA](#) [SQT-132-01-L-S](#) [SQT-148-01-L-S](#) [SQT-134-01-FM-T](#) [SQT-106-01-LM-D](#) [SQT-113-01-F-S](#) [SQT-145-01-F-D](#) [SQT-110-01-LM-D](#) [SQT-112-01-L-S](#) [SQT-112-01-F-D-010](#) [SQT-131-01-F-S](#) [SQT-121-01-L-D](#) [SQT-132-01-F-D-RA](#) [SQT-133-01-F-D-RA](#) [SQT-110-03-L-T](#) [SQT-110-03-F-D](#) [SQT-116-01-F-S](#) [SQT-123-01-F-D-RA](#) [SQT-110-01-L-S-RA-003](#) [SQT-105-01-LM-D](#)