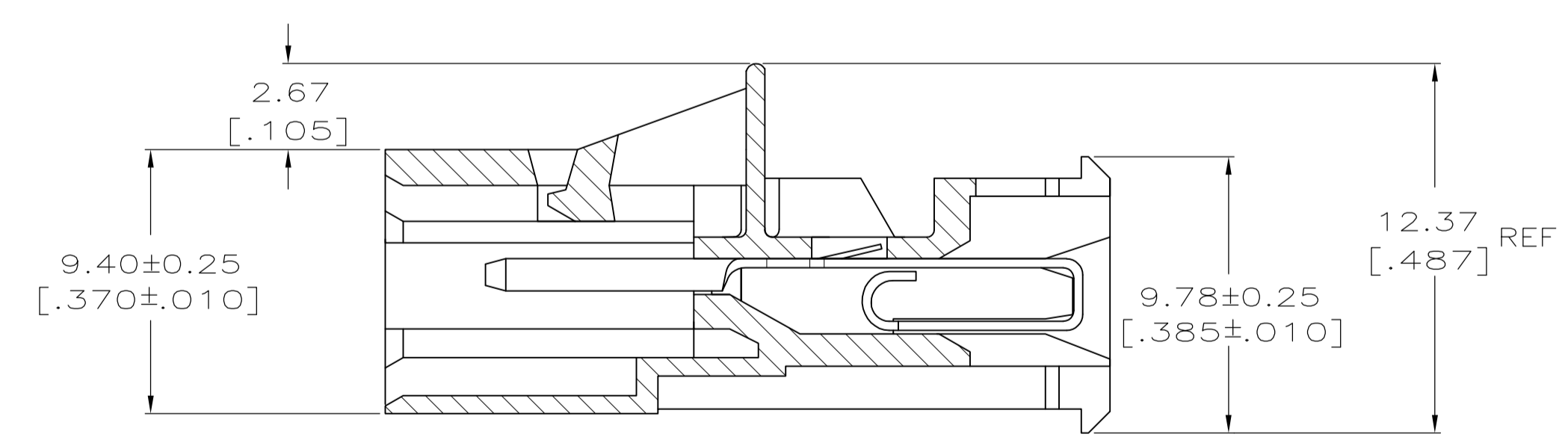
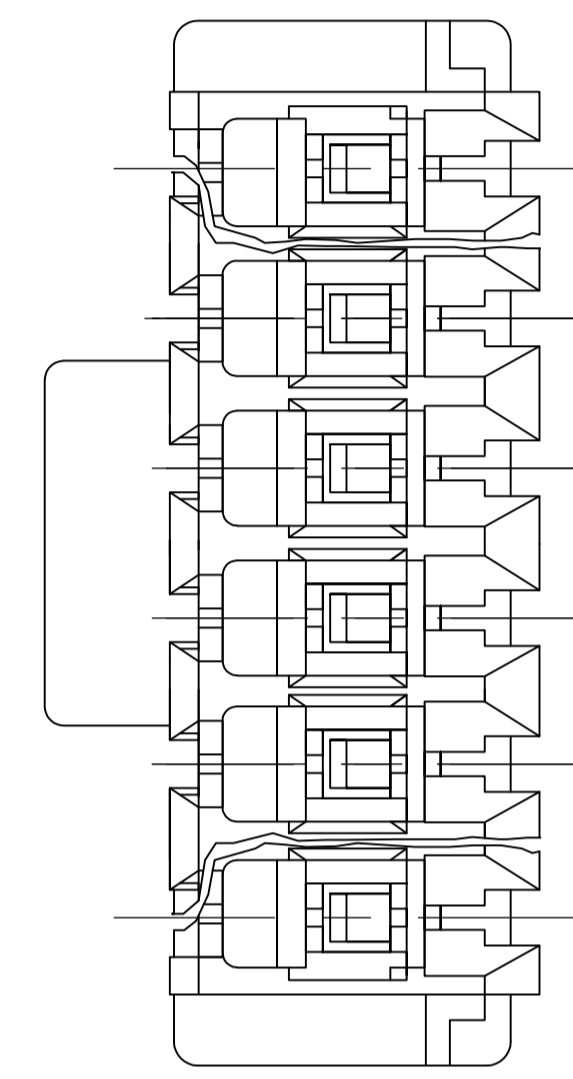
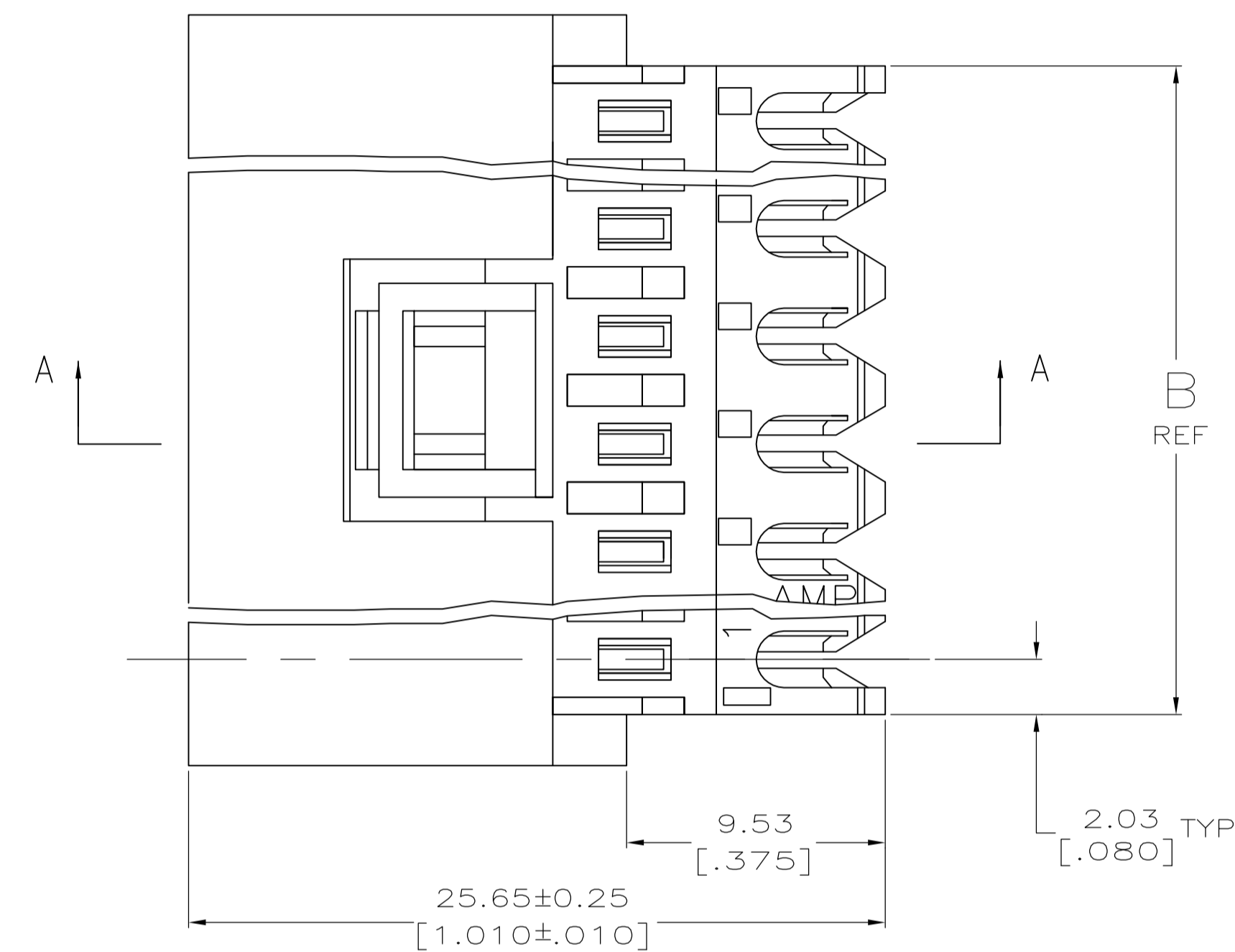
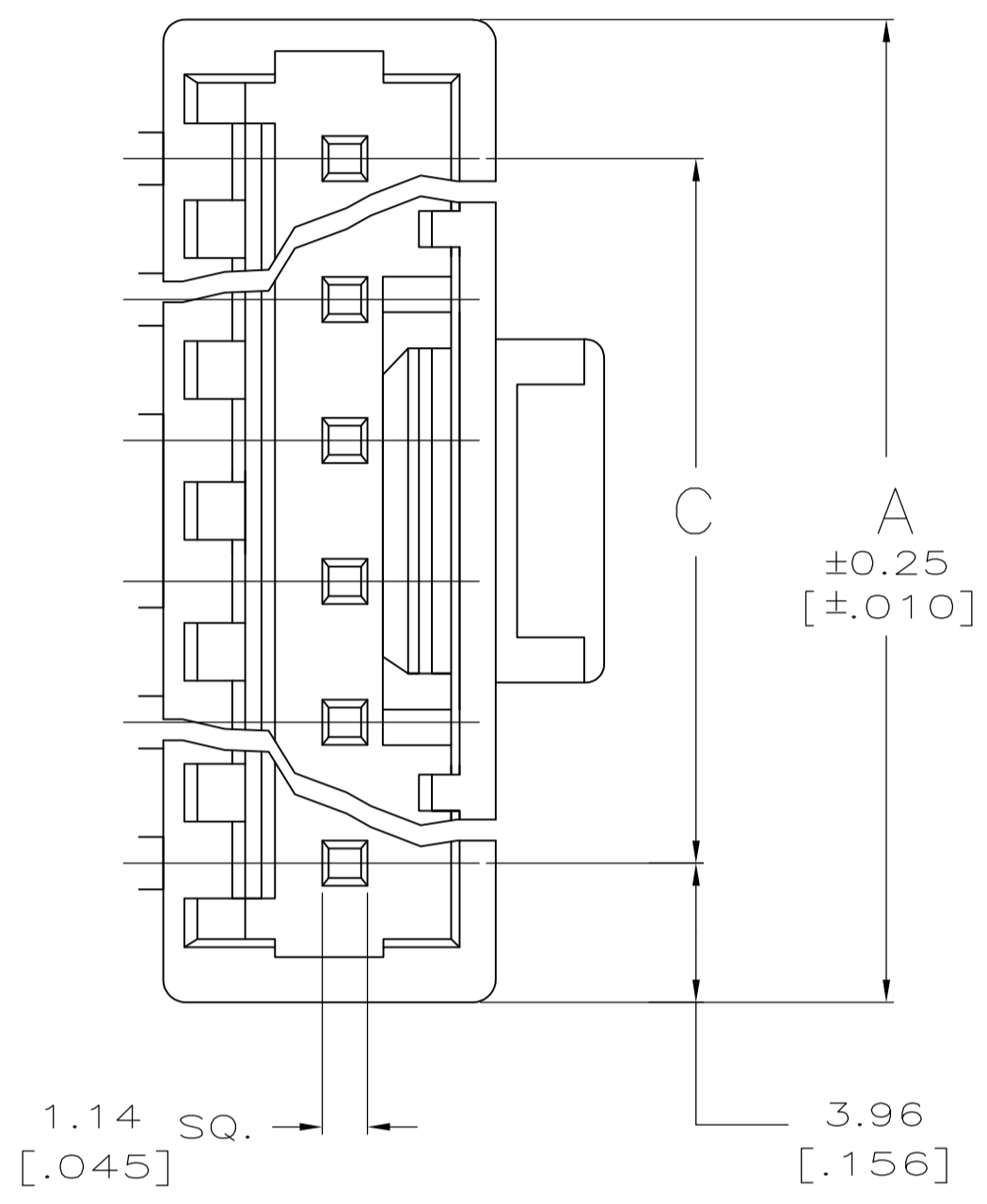


| LOC | | DIST | | REVISIONS | | | |
|-----|---------------|------|-----------|-----------|-----|------|--|
| CM | 0 | REV | DATE | BY | CHK | APPV | |
| H1 | ECO-14-012257 | | 04NOV2014 | KR | | OC | |

- MATERIAL: CONNECTOR- NYLON UL94V-2 (YELLOW).
CONTACTS- 0.30 [.012] THK COPPER ALLOY
(BRIGHT TIN-LEAD 0.00203 [.000080] MIN THK).
(MATTE TIN 0.00203 [.000080] MIN THK).
- CONTACTS ACCEPT #20 AWG SOLID, FUSED STRANDED OR STRANDED (7 STRANDS) WIRE WITH 2.41 [.095] MAX INSULATION DIA.
- BOW, IN ANY DIRECTION, NOT TO EXCEED 0.15 [.006] PER IN.
- HOUSING FEATURES: FEED-THRU.
- DIMENSIONS IN BRACKETS ARE IN INCHES.
- △ OBSOLETE PARTS: OBSOLETE CIS STREAMLINING PER D.RENAUD/D.SINISI



SECTION A-A

| FINISH | C | B | A | NO. OF CIRCUITS | PART NUMBER |
|----------|---------------|---------------|---------------|-----------------|-------------|
| TIN | 91.14 [3.588] | 95.20 [3.748] | 99.06 [3.900] | 24 | 5-641523-4 |
| | 55.47 [2.184] | 59.54 [2.344] | 63.40 [2.496] | 15 | 4-641523-5 |
| | 43.59 [1.716] | 47.65 [1.876] | 51.51 [2.028] | 12 | 4-641523-2 |
| | 31.70 [1.248] | 35.76 [1.408] | 39.62 [1.560] | 9 | 3-641523-9 |
| | 19.81 [.780] | 23.88 [.940] | 27.74 [1.092] | 6 | 3-641523-6 |
| | 11.89 [.468] | 15.95 [.628] | 19.81 [.780] | 4 | 3-641523-4 |
| | 7.92 [.312] | 11.99 [.472] | 15.85 [.624] | 3 | 3-641523-3 |
| | 3.96 [.156] | 8.03 [.316] | 11.89 [.468] | 2 | 3-641523-2 |
| | 91.14 [3.588] | 95.20 [3.748] | 99.06 [3.900] | 24 | 2-641523-4 |
| | 55.47 [2.184] | 59.54 [2.344] | 63.40 [2.496] | 15 | 1-641523-5 |
| | 43.59 [1.716] | 47.65 [1.876] | 51.51 [2.028] | 12 | 1-641523-2 |
| | 31.70 [1.248] | 35.76 [1.408] | 39.62 [1.560] | 9 | 1-641523-9 |
| | 19.81 [.780] | 23.88 [.940] | 27.74 [1.092] | 6 | 1-641523-6 |
| | 11.89 [.468] | 15.95 [.628] | 19.81 [.780] | 4 | 1-641523-4 |
| | 7.92 [.312] | 11.99 [.472] | 15.85 [.624] | 3 | 1-641523-3 |
| | 3.96 [.156] | 8.03 [.316] | 11.89 [.468] | 2 | 1-641523-2 |
| TIN-LEAD | 91.14 [3.588] | 95.20 [3.748] | 99.06 [3.900] | 24 | 5-641523-4 |
| | 55.47 [2.184] | 59.54 [2.344] | 63.40 [2.496] | 15 | 4-641523-5 |
| | 43.59 [1.716] | 47.65 [1.876] | 51.51 [2.028] | 12 | 4-641523-2 |
| | 31.70 [1.248] | 35.76 [1.408] | 39.62 [1.560] | 9 | 3-641523-9 |
| | 19.81 [.780] | 23.88 [.940] | 27.74 [1.092] | 6 | 3-641523-6 |
| | 11.89 [.468] | 15.95 [.628] | 19.81 [.780] | 4 | 3-641523-4 |
| | 7.92 [.312] | 11.99 [.472] | 15.85 [.624] | 3 | 3-641523-3 |
| | 3.96 [.156] | 8.03 [.316] | 11.89 [.468] | 2 | 3-641523-2 |

△ SUPERSEDED
△ SUPERSEDED
△ SUPERSEDED
△ SUPERSEDED
△ SUPERSEDED
△ SUPERSEDED
△ SUPERSEDED

THIS DRAWING IS A CONTROLLED DOCUMENT.

| | | | | | |
|-------------------------|--|------------------------|-----------------------|------------|---------------|
| DIMENSIONS: mm [INCHES] | TOLERANCES UNLESS OTHERWISE SPECIFIED: | DIN K. SALMON 10-22-91 | CHK R. SWING 10-22-91 | APVD | NAME |
| 0 PLC ± - | 1 PLC ± - | PRODUCT SPEC | | | |
| 2 PLC ± 0.13 [.005] | 3 PLC ± - | APPLICATION SPEC | | | |
| 4 PLC ± - | ANGLES ± - | SIZE | CAGE CODE | DRAWING NO | RESTRICTED TO |
| MATERIAL SEE NOTE 1 | FINISH SEE NOTE 1 | WEIGHT | A1 00779 | 641523 | |
| CUSTOMER DRAWING | | SCALE | 5:1 | SHEET | 1 OF 1 |

STE TE Connectivity

MTA-156
POSTED CONNECTOR ASSEMBLY,
20 AWG