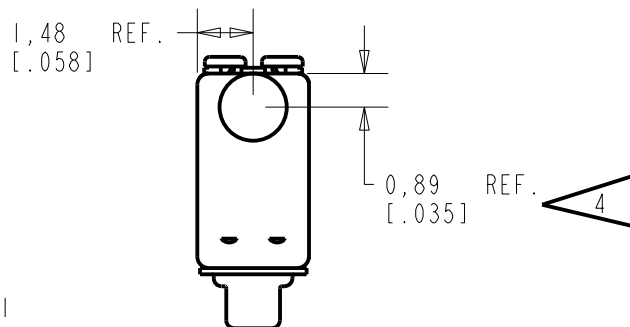
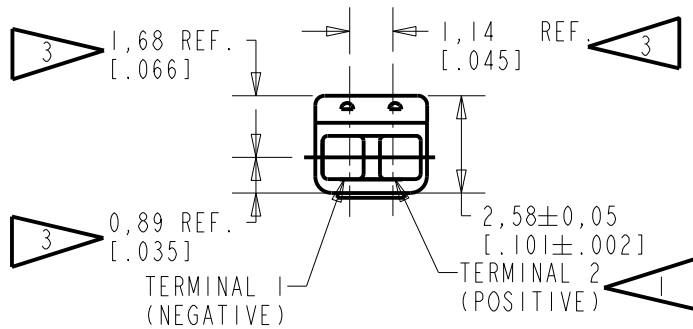
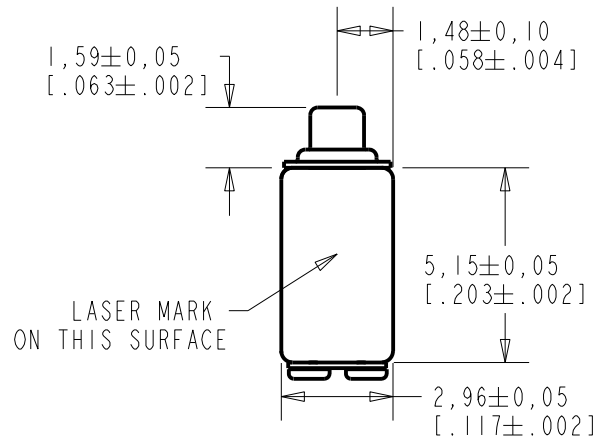


RAB-32257-000

SHT 1.1



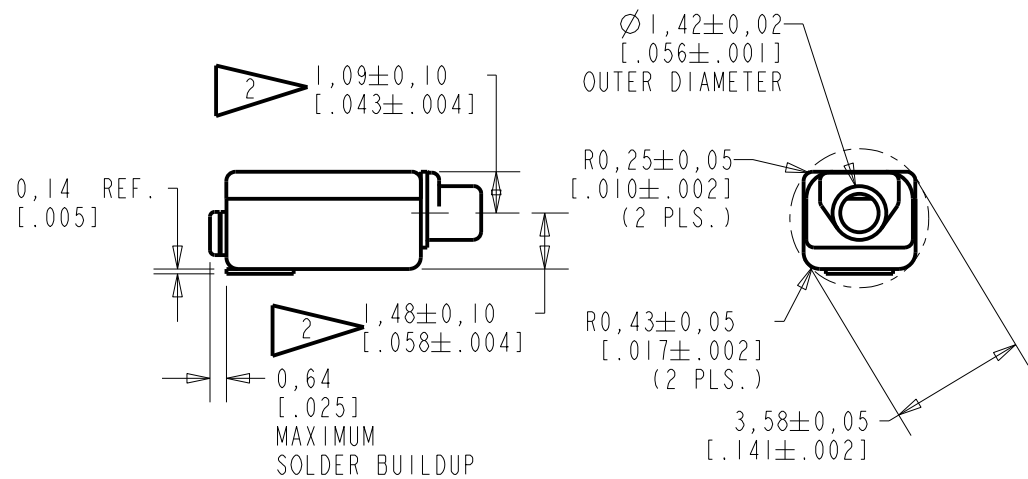
SCALE 2:1

NOMINAL WEIGHT
.16 GRAMS

DIMENSIONS IN MILLIMETERS [INCHES]

NOTE:

- 1 A POSITIVE GOING VOLTAGE AT TERMINAL 2, RELATIVE TO TERMINAL 1, CAUSES AN INCREASE IN PRESSURE AT THE SOUND OUTLET.
- 2 LOCATED FROM TWO SURFACES FOR CUSTOMER CONVENIENCE. ONLY APPLICABLE FROM ONE SURFACE, NOT TO BE USED TOGETHER.
- 3 DIMENSION TO APPROXIMATE CENTER OF TERMINAL PAD.
- 4 DAMPER SURFACE MUST BE KEPT CLEAN AND UNOBSTRUCTED TO ACHIEVE SPECIFIED PERFORMANCE.

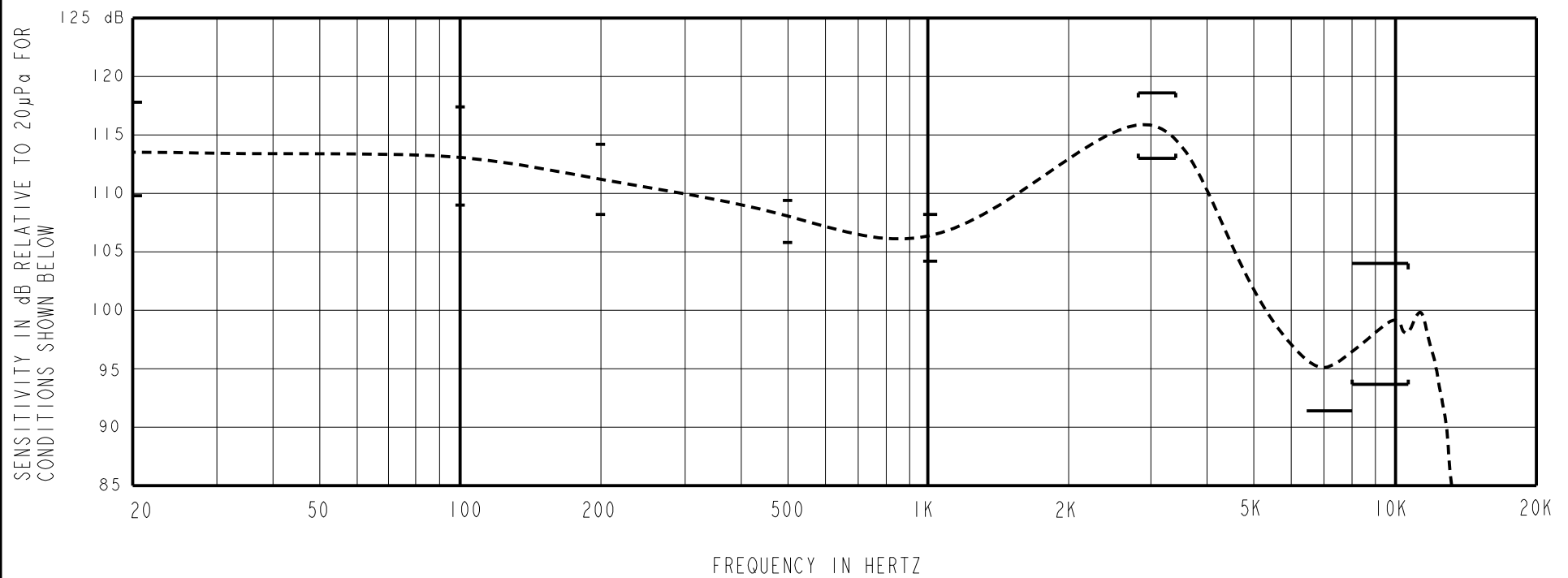


Revision	C.O. #	Implementation Date	RELEASE LEVEL	REVISION
B	CI0116665	2-26-15	Active	B
A	CI0115824P	5-22-14		

SCALE: 5:1		DR. BY	DATE
DO NOT SCALE DRAWING		SSUN	5-22-14
TITLE: RECEIVER		CK. BY	DATE
OUTLINE DRAWING		GJP	5-22-14
RAB-32257-000		APP. BY	DATE
SHT 1.1		GJP	5-22-14

KNOWLES ELECTRONICS
ITASCA, ILLINOIS U.S.A.

CONSTANT VOLTAGE DRIVE RESPONSE



ACOUSTICAL

SENSITIVITY DEVICE WILL PRODUCE THE SPL LISTED BELOW WITH THE TEST CONDITIONS DESCRIBED IN TABLE 3. NOMINAL SENSITIVITY AT 1 kHz IS dB RELATIVE TO 20µPa. ALL OTHER VALUES IN dB RELATIVE TO THE SENSITIVITY AT 1 kHz.

LIMIT TYPE	FREQUENCY (Hz)	MINIMUM	NOMINAL	MAXIMUM
REL	20	+3.5	+7.5	+11.5
REL	100	+3.0	+7.0	+11.0
REL	200	+2.0	+5.0	+8.0
REL	500	-0.5	+2.0	+3.5
REF	1000	-2.0	106.2	+2.0
PEAK	2850-3450	+6.5	+9.5	+12.5
VALLEY	6400-8000	-15.0	---	---
PEAK	8000-11000	-12.0	-7.0	-2.0

TABLE 1.

TOTAL HARMONIC DISTORTION DEVICE WILL NOT EXCEED TOTAL HARMONIC DISTORTION LEVELS LISTED BELOW.

FREQUENCY (Hz)	DRIVE (Vrms)	LIMIT (%)
50	0.115	5.8
1/3 PEAK I (TYP. 1050)	0.115	6.8
1/2 PEAK I (TYP. 1575)	0.115	4.8
1/3 PEAK I (TYP. 1050)	0.324	9.5
1/2 PEAK I (TYP. 1575)	0.324	9.5

TABLE 2.

TEST CONDITIONS

NOMINAL SOURCE VOLTAGE	0.115 Vrms
SOURCE IMPEDANCE	< 1 Ω
TUBING	TUBELESS, KNOWLES TOOL NUMBER T8688
COUPLER CAVITY	IEC 60318-4 (IEC 711)

TABLE 3.

ELECTRICAL

DC RESISTANCE	22.0 Ω ±10%
IMPEDANCE @ 500 Hz	33.0 Ω ±15%
IMPEDANCE @ 1 kHz	49.5 Ω ±15%
INDUCTANCE @ 500 Hz	7.8 mH TYPICAL

TABLE 4.

ISOLATION: THE CASE WILL BE ELECTRICALLY ISOLATED FROM THE COIL CIRCUIT

MECHANICAL

PORT LOCATION: 12S

SOLDER TYPE: ROHS COMPLIANT
SAC305

TEMPERATURE

OPERATING: SENSITIVITY WILL NOT VARY MORE THAN +1/-3 dB FROM 0°C TO 63°C
STORAGE: -40°C TO 63°C

KNOWLES ELECTRONICS
ITASCA, ILLINOIS U.S.A.

Revision	C.O. #	Implementation Date	RELEASE LEVEL	REVISION
			Active	B
WHEN TEST LIMITS ARE USED TO ESTABLISH INCOMING INSPECTION ACCEPTANCE/REJECTION CRITERIA, CORRELATION OF TEST EQUIPMENT WITH KNOWLES IS ALSO REQUIRED FOR ELIMINATION OF EQUIPMENT AND TEST METHOD VARIATION			DR. BY	DATE
TITLE: RIE ASSEMBLY			SSUN	5-22-14
PERFORMANCE SPECIFICATION			CK. BY	DATE
RAB-32257-000			GJP	5-22-14
SHT			APP. BY	DATE
			GJP	5-22-14

Mouser Electronics

Authorized Distributor

Click to View Pricing, Inventory, Delivery & Lifecycle Information:

Knowles:

[RAB-32063-000](#) [RAB-32033-000](#) [RAB-32257-000](#) [RAB-32014-000](#) [RAB-32063-P143](#) [RAB-32066-000](#) [RAB-32037-000](#) [RAB-31761-000](#) [RAB-32168-000](#) [RAB-32167-000](#)