

# Customer Information Sheet

DRAWING No.: M83-LFTIF2NXX-0000-000

SHEET 2 OF 2

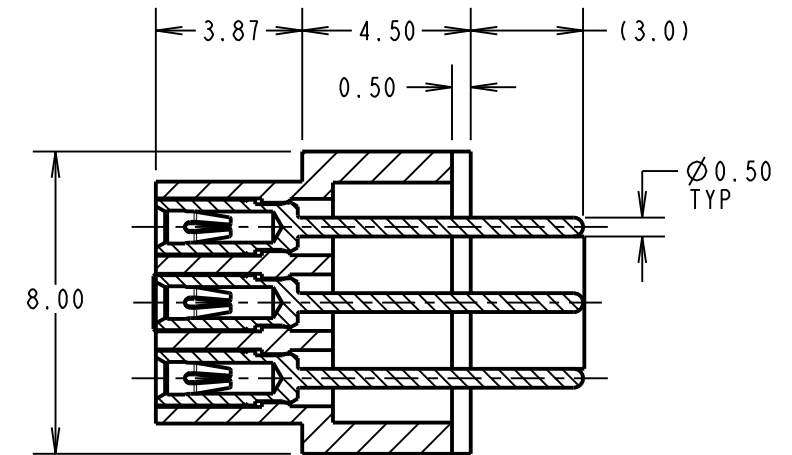
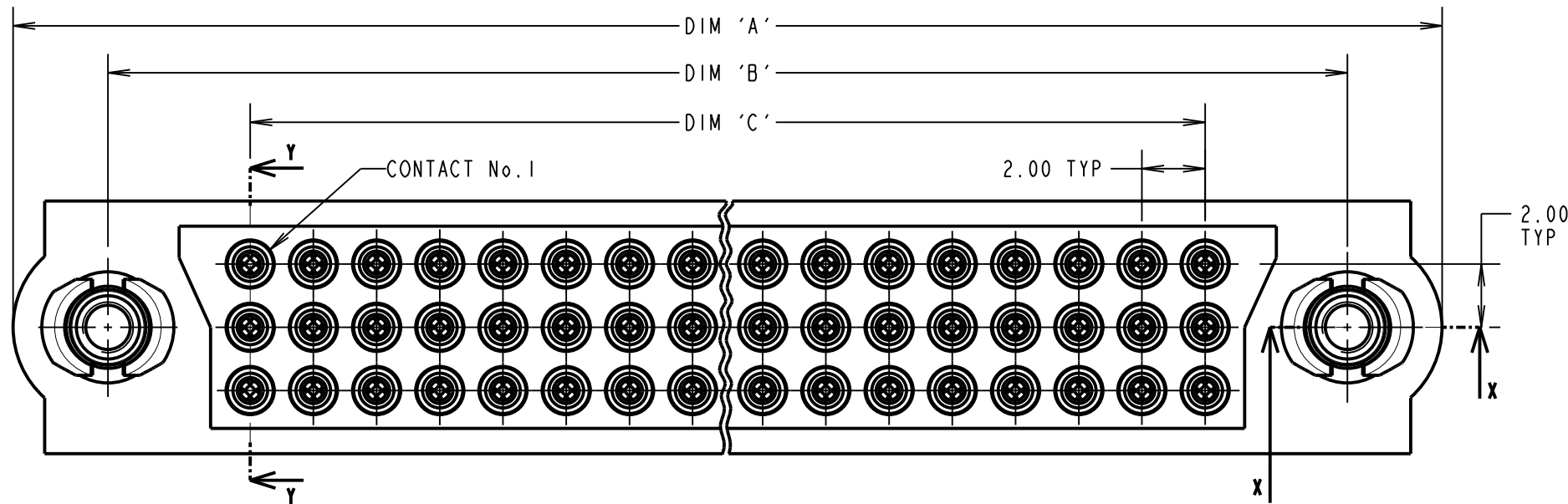
IF IN DOUBT - ASK

©

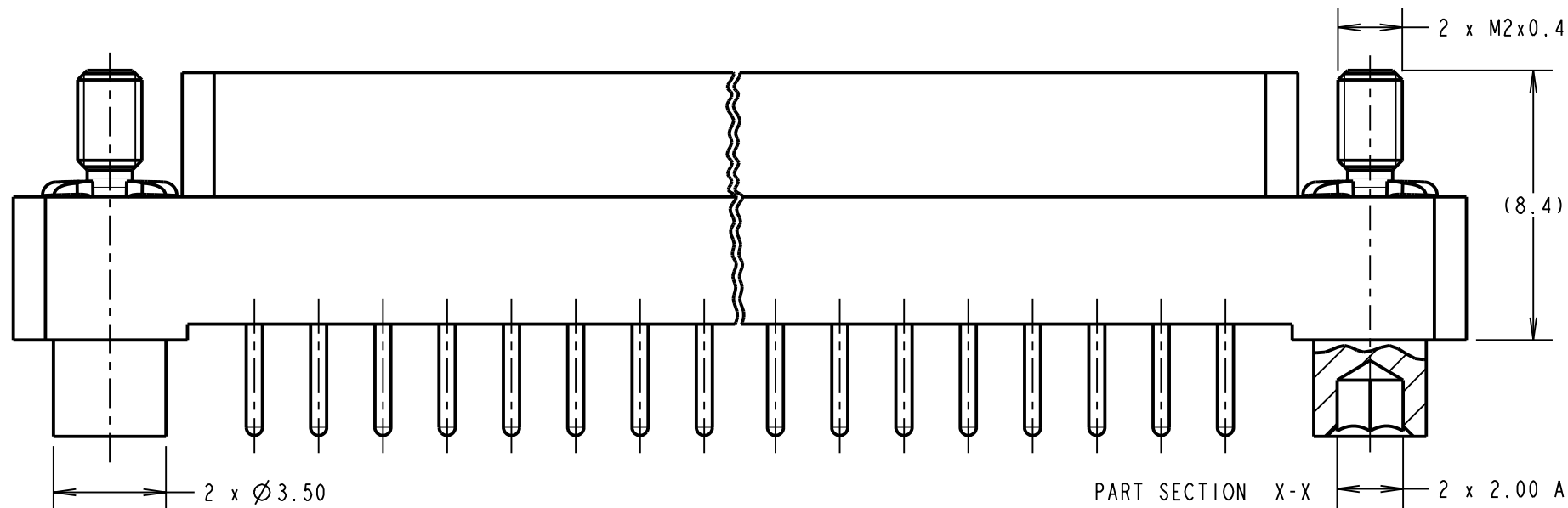
NOT TO SCALE

THIRD ANGLE PROJECTION

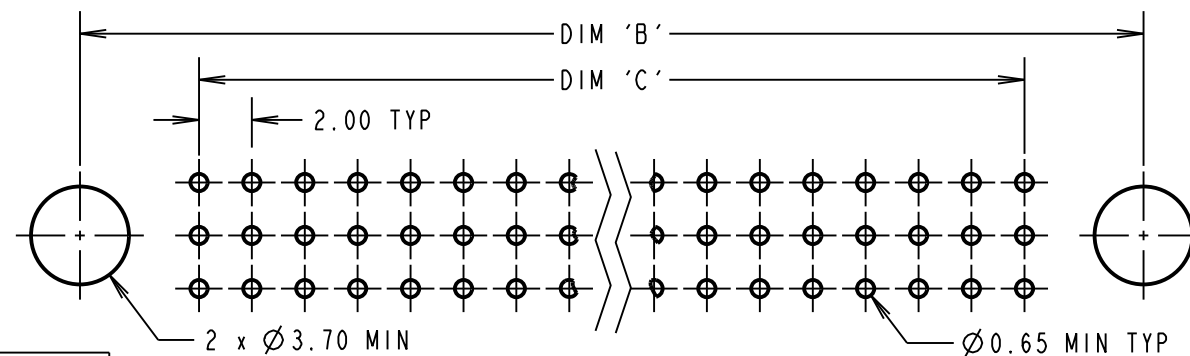
ALL DIMENSIONS IN mm



SECTION Y-Y



PART SECTION X-X



RECOMMENDED PCB LAYOUT

**SPECIFICATIONS:**

**MATERIAL:**  
 MOULDING = GLASS-FILLED PPS, UL94V-0, BLACK  
 JACKSCREW = STAINLESS STEEL  
 JACKSCREW COLLAR = NICKEL COATED BRASS  
 CONTACT CLIP = BERYLLIUM COPPER  
 CONTACT SHELL = BRASS

**FINISH:**  
 CONTACT CLIP = 0.3µ GOLD  
 CONTACT SHELL = 0.25 - 0.3µ GOLD

**ELECTRICAL:**  
 CURRENT RATING AT 25°C = 3.0A MAX  
 CURRENT RATING AT 85°C = 2.2A MAX  
 WORKING VOLTAGE = 120V AC/DC  
 VOLTAGE PROOF = 360V AC/DC  
 INSULATION RESISTANCE = 100 MΩ MIN  
 CONTACT RESISTANCE = 25 mΩ MAX

**MECHANICAL:**  
 DURABILITY = 500 OPERATIONS  
 INSERTION FORCE = 1.0N MAX  
 WITHDRAWAL FORCE = 0.2N MIN

**ENVIRONMENTAL:**  
 TEMPERATURE RANGE = -55°C TO +125°C

**PACKING:**  
 TRAY  
 FOR COMPLETE SPECIFICATION, SEE COMPONENT SPECIFICATION C005XX (LATEST ISSUE)

DIMENSION	CALCULATION
DIM 'A'	((TOTAL No. OF CONTACTS / 3) x 2) + 13
DIM 'B'	((TOTAL No. OF CONTACTS / 3) x 2) + 7
DIM 'C'	((TOTAL No. OF CONTACTS / 3) x 2) - 2
EXAMPLE: CONNECTOR WITH 27 CONTACTS, M83-LFTIF2N27-0000-000 DIM 'A' = 31.00, DIM 'B' = 25.00, DIM 'C' = 16.00	

ORDER CODE:  
**M83-LFTIF2NXX-0000-000**  
 TOTAL No. OF CONTACTS  
 18, 24, 27, 36, 48, 51,  
 54, 60, 63, 78, 96

SB	2	02.02.12	11638
NAME	ISS.	DATE	C/NOTE
APPROVED: S.BENNETT			
CHECKED: S.FLOWER			
DRAWN: S. MCCULLAGH			
CUSTOMER REF.:			
ASSEMBLY DRG:			

**HARWIN**  
 www.harwin.com  
 technical@harwin.com

THIS DRAWING AND ANY INFORMATION OR DESCRIPTIVE MATTER SET OUT HEREON ARE CONFIDENTIAL AND COPYRIGHT PROPERTY OF THE HARWIN GROUP AND MUST NOT BE DISCLOSED, LOANED, COPIED OR USED FOR MANUFACTURING, TENDERING OR FOR ANY OTHER PURPOSE WITHOUT THEIR WRITTEN PERMISSION.

**TOLERANCES**  
 X. = ±1mm  
 X.X = ±0.25mm  
 X.XX = ±0.10mm  
 X.XXX = ±0.01mm  
 ANGLES = ±5°  
 UNLESS STATED

**MATERIAL:**  
 SEE ABOVE  
**FINISH:**  
 SEE ABOVE  
**S/AREA:**  
 mm<sup>2</sup>

**TITLE:** JACKSCREW DATAMATE  
 3-ROW FEMALE VERTICAL  
 PC TAIL ASSEMBLY

**DRAWING NUMBER:**  
**M83-LFTIF2NXX-0000-000**

SHT  
 2 OF 2