

DESCRIPTION: POWER - VERTICAL BOARD - FEMALE - MACHINED

**SPECIFICATIONS:**

**ELECTRICAL:**

INSULATOR RESISTANCE: 5 GOHMS Min.  
 DIELECTRIC WITHSTANDING: 1,000VAC for 1 MINUTE  
 OPERATING TEMPERATURE: -55° C ~ +125° C  
 CONTACT RESISTANCE: 1 MOHMS Max.  
 POWER PINS: SEE PART No. BELOW

**MECHANICAL:**

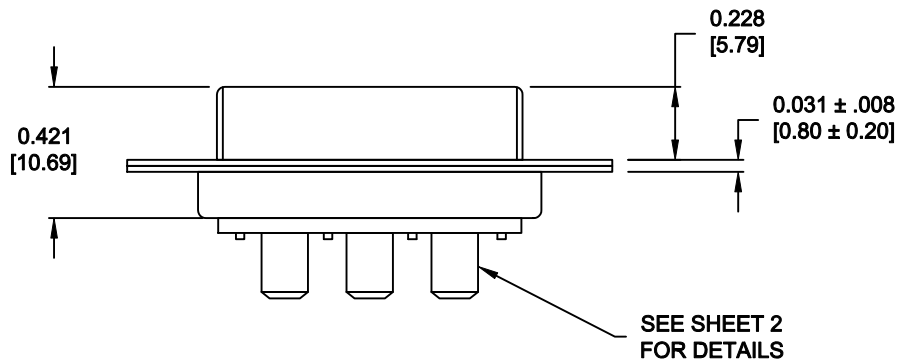
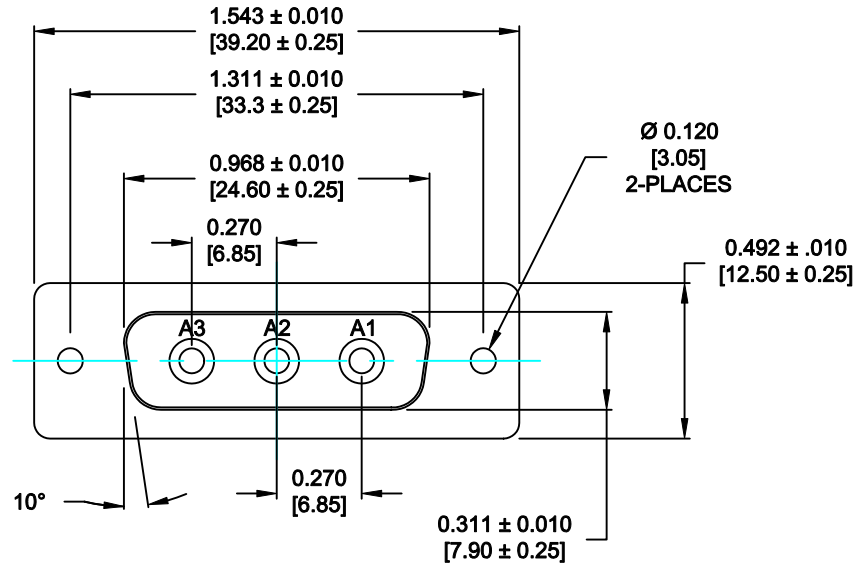
CONTACT INSERTION FORCE: 4.5 Kg Max.  
 CONTACT SEPARATOR FORCE: 0.3Kg Min.

**MATERIALS:**

CONTACTS: COPPER ALLOY  
 INSULATOR: PBT UL94V-0 RATED, BLACK  
 230°C PROCESS TEMP.  
 SHELL: STEEL

**FINISH:**


SHELL: NICKEL  
 CONTACTS: FULL GOLD FLASH



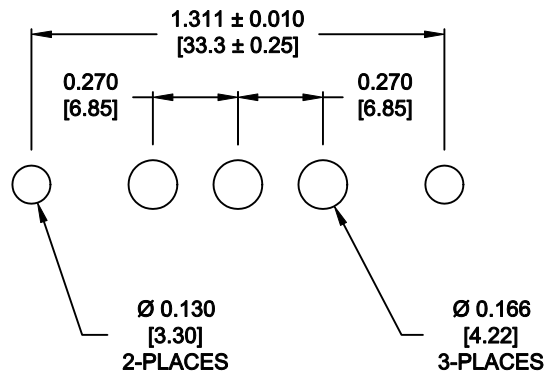
**681M3W3203L001**

00 = 40 AMPS

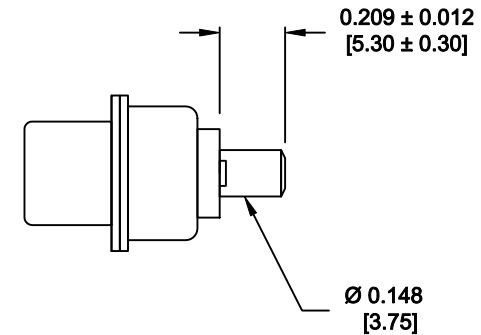
**RoHS COMPLIANT**

	THESE DRAWINGS AND SPECIFICATIONS ARE THE PROPERTY OF NorComp AND SHALL NOT BE REPRODUCED, COPIED OR USED AS THE BASIS FOR THE MANUFACTURE OF SALE OF APPARATUS WITHOUT WRITTEN PERMISSION.		DRAWN: <b>M. SIGMON</b>	DATE: <b>07-17-13</b>
			CHECKED: <b>X</b>	DATE: <b>X</b>
<h1>NorComp</h1>		SCALE: <b>N.T.S.</b>	SHEET <b>1</b> OF <b>2</b>	REV <b>0</b>
		DWG NO. <b>681M3W3203L001</b>		

NOTE: POWER CONTACTS COME  
PRE-LOADED INTO INSULATORS




RECOMMENDED PCB LAYOUT  
TOLERANCE  $\pm 0.002$  [0.05]



POWER CONTACTS

RoHS COMPLIANT

	THESE DRAWINGS AND SPECIFICATIONS ARE THE PROPERTY OF NorComp AND SHALL NOT BE REPRODUCED, COPIED OR USED AS THE BASIS FOR THE MANUFACTURE OF SALE OF APPARATUS WITHOUT WRITTEN PERMISSION.		DRAWN: <b>M. SIGMON</b>	DATE: <b>07-17-13</b>
			CHECKED: <b>X</b>	DATE: <b>X</b>
NorComp		SCALE: <b>N.T.S.</b>	SHEET <b>2</b> OF <b>2</b>	REV <b>0</b>
		DWG NO. <b>681M3W3203L001</b>		

# Mouser Electronics

Authorized Distributor

Click to View Pricing, Inventory, Delivery & Lifecycle Information:

[NorComp:](#)

[681M3W3203L001](#)