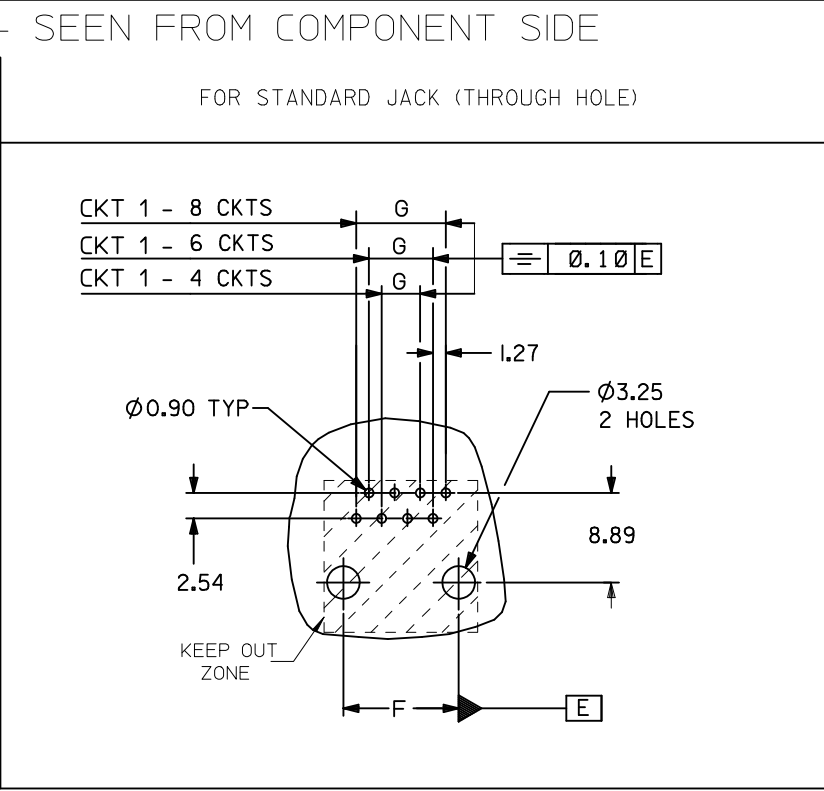
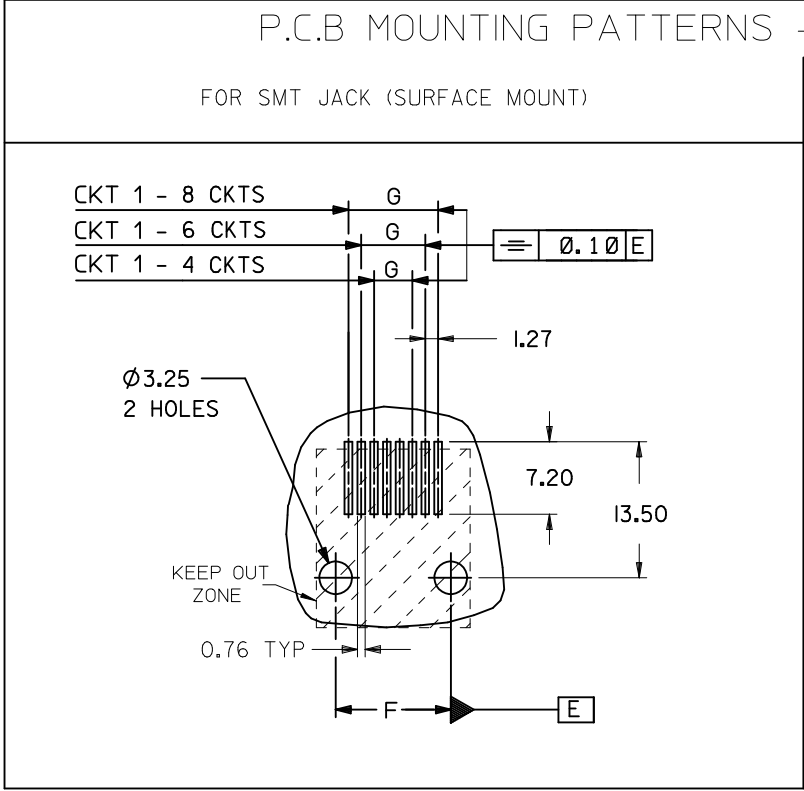


TYPE DIM.	POS. 4	POS. 6		POS. 8
	4 CKTS.	4 CKTS.	6 CKTS.	8 CKTS.
F ±0.05	7.62	10.16	10.16	11.43
G ±0.05	3.81	3.81	6.35	8.89

P.C.B MOUNTING PATTERNS - SEEN FROM COMPONENT SIDE

FOR SMT JACK (SURFACE MOUNT)

FOR STANDARD JACK (THROUGH HOLE)



NOTES:

ALL DIMENSIONS REF DIMENSIONS

REMOVED INCHES EC NO: E2012-0079 DRWN: JCONNOR CHKD: APPR: EFOLAN	DESCRIPTION 2011/03/04 2011/09/28	QUALITY SYMBOLS	GENERAL TOLERANCES (UNLESS SPECIFIED)	DIMENSION STYLE	SCALE	DESIGN UNITS	THIRD ANGLE PROJECTION	
		▼=0 □=0	mm INCH 4 PLACES ± --- ± --- 3 PLACES ± --- ± --- 2 PLACES ± 0.15 ± --- 1 PLACE ± 0.25 ± --- ANGULAR ± .5 °	MM ONLY	1:1	METRIC	DRAWN BY: TMARTIN DATE: 2005/06/15 CHECKED BY: FCARABETTA DATE: 2005/06/15 APPROVED BY: KNOLLER DATE: 2005/06/15	TITLE: LOW PROFILE T/E JACK MATERIAL NO. SEE SHT. 4, 5 DOCUMENT NO. SD-95503-003
		DRAFT WHERE APPLICABLE MUST REMAIN WITHIN DIMENSIONS		SIZE: A3	THIS DRAWING CONTAINS INFORMATION THAT IS PROPRIETARY TO MOLEX INCORPORATED AND SHOULD NOT BE USED WITHOUT WRITTEN PERMISSION		MOLEX INCORPORATED SHEET NO. 3 OF 5	

HOUSING SIZE	LOADED CONTACTS
4	4
6	4
6	6
8	8

— PART NO FOR JACK ASSEMBLY —
THROUGH HOLE STANDARD VERSION

LCP FIBER GLASS FILLED 94V0 COLOR BLACK					
NO KEY	TOOLED	KEY	TOOLED		TOOLED
NO RIB	TOOLED	NO RIB	TOOLED		TOOLED
95503-2441	X				
95503-2641	X				
95503-2661	X				
95503-2881	X	95503-2882	X		

TRAY PACKAGING
SEE PACKAGING SPEC PK-95003 SHEET 1

— PART NO FOR JACK ASSEMBLY —
THROUGH HOLE SHORT VERSION

LCP FIBER GLASS FILLED 94V0 COLOR BLACK					
NO KEY	TOOLED	KEY	TOOLED		TOOLED
NO RIB	TOOLED	NO RIB	TOOLED		TOOLED
95503-2884	X				

TRAY PACKAGING
SEE PACKAGING SPEC PK-95003 SHEET 1

— PART NO FOR JACK ASSEMBLY —
THROUGH HOLE STANDARD VERSION

LCP FIBER GLASS FILLED 94V0 COLOR BLACK					
NO KEY	TOOLED	KEY	TOOLED		TOOLED
NO RIB	TOOLED	NO RIB	TOOLED		TOOLED
95503-2440	X				
95503-2640					
95503-2660					
95503-2880	X				

TAPE AND REEL PACKAGING
SEE PACKAGING SPEC PK-95503 SHEET 1

TOOLED	<input checked="" type="checkbox"/>
NOT TOOLED	<input type="checkbox"/>

NOTES:
PLATING: SEE SHEET ONE

ADDED PLATING OPTION EC NO: IPG2013-0151 DRW: DBYRNES 2012/07/31 CHKD: SMC GREVY 2012/07/31 APPR: J WALLACE 2012/07/31	QUALITY SYMBOLS	GENERAL TOLERANCES (UNLESS SPECIFIED)	DIMENSION STYLE MM ONLY	SCALE ---	DESIGN UNITS METRIC	THIRD ANGLE PROJECTION	
	▽=0 ◻=0	mm INCH 4 PLACES ± --- ± --- 3 PLACES ± --- ± --- 2 PLACES ± --- ± --- 1 PLACE ± --- ± --- ANGULAR ± ---°	DRAWN BY: TMARTIN DATE: 2005/06/16 CHECKED BY: FCARABETTA DATE: 2005/06/16 APPROVED BY: KNOLLER DATE: 2005/06/16	TITLE	LOW PROFILE T/E JACK THROUGH HOLE VERS.		
		DRAFT WHERE APPLICABLE MUST REMAIN WITHIN DIMENSIONS	SEE CHART	MOLEX INCORPORATED		DOCUMENT NO. SD-95503-003	SHEET NO. 4 OF 5
				THIS DRAWING CONTAINS INFORMATION THAT IS PROPRIETARY TO MOLEX INCORPORATED AND SHOULD NOT BE USED WITHOUT WRITTEN PERMISSION			