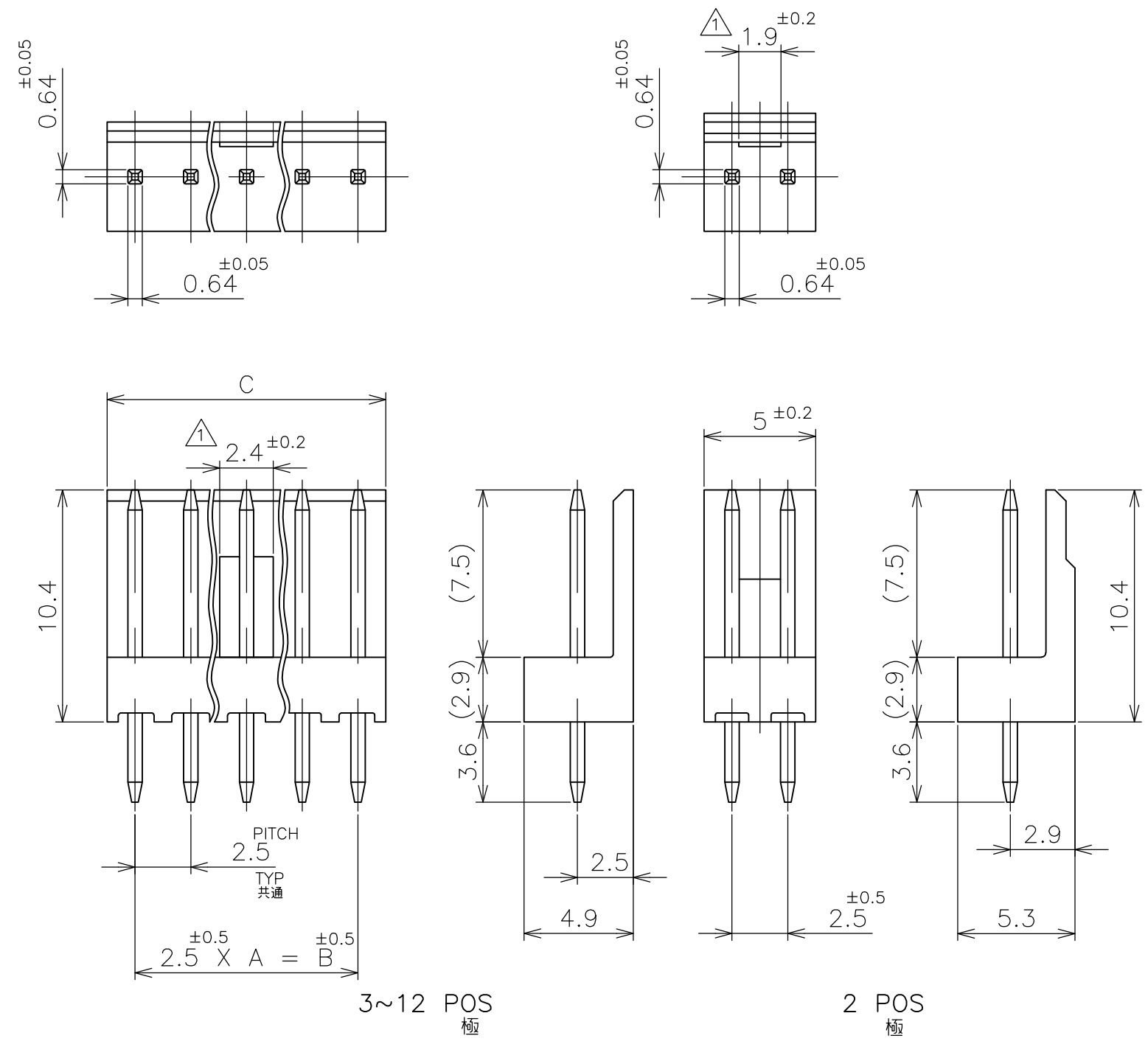
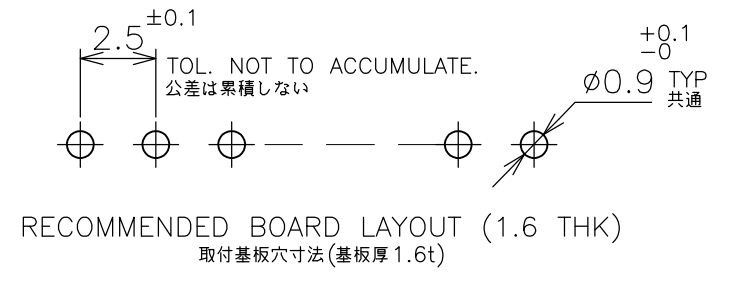


THIS DRAWING IS UNPUBLISHED. RELEASED FOR PUBLICATION MAY, 1987.
 © COPYRIGHT 1977 By - ALL RIGHTS RESERVED.

REVISIONS 変更				
P	LTR	DESCRIPTION	DATE	APVD
	Y3	REVISED (ECR-16-005729)	19DEC2016	T.Q W.H



① LOCKING HOLE IS PLACED ON THE CENTER OF POST HEADER.
 ② OBSOLETE 11POS, 13POS, 15POS PARTS.
 OBSOLETE RED AND GREEN COLOR PARTS.



37.5	35.0	14	15	9	171825-5	7	171825-5	5	171825-5	3	171825-5	1	171825-5
32.5	30.0	12	13	9	3	7	3	5	3	3	3	1	3
27.5	25.0	10	11	9	1	7	1	5	1	3	1	1	1
30.0	27.5	11	12	9	-2	7	-2	5	-2	3	-2	1	-2
25.0	22.5	9	10	9	-0	7	-0	5	-0	3	-0	1	-0
22.5	20.0	8	9	8	-9	6	-9	4	-9	2	-9		-9
20.0	17.5	7	8	8	-8	6	-8	4	-8	2	-8		-8
17.5	15.0	6	7	8	-7	6	-7	4	-7	2	-7		-7
15.0	12.5	5	6	8	-6	6	-6	4	-6	2	-6		-6
12.5	10.0	4	5	8	-5	6	-5	4	-5	2	-5		-5
10.0	7.5	3	4	8	-4	6	-4	4	-4	2	-4		-4
7.5	5.0	2	3	8	-3	6	-3	4	-3	2	-3		-3
図示		---	2	8-171825-2	6-171825-2	4-171825-2	2-171825-2					171825-2	
±0.2 C	±0.5 B	A	NO OF POS 極数	RED 赤色	GREEN 緑色	BLUE 青色	BLACK 黒色	PART NUMBER 型番					

THIS DRAWING IS A CONTROLLED DOCUMENT.		DWN T.DOI	14MAY77	STE TE Connectivity	
DIMENSIONS: 単位: 耗 mm		CHK H.TAGUCHI	14MAY77		
TOLERANCES UNLESS OTHERWISE SPECIFIED: 一般公差		APVD H.TAGUCHI	14MAY77	NAME 名称	
0 PLC ± 0.3		PRODUCT SPEC 製品規格		POST HEADER ASSY (VERTICAL)	
1 PLC ± 0.3		APPLICATION SPEC 取付適用規格		AMP EI SERIES CONNECTOR	
2 PLC ± 0.3		WEIGHT 0.000000		SIZE A3	CAGE CODE 00779
3 PLC ± 0.3		MATERIAL 材料 HSG : 66NYLON UL94V-0 POST: BRASS		DRAWING NO 番号 C-171825	RESTRICTED TO 番号
4 PLC ± 0.3		FINISH 仕上 TIN-PLATE 0.8um. MIN. ALL OVER NICKEL 0.5um MIN. UNDERPLATED		SCALE 尺度 4:1	SHEET 1 OF 1
ANGLES ±		CUSTOMER DRAWING		REV Y3	

Mouser Electronics

Authorized Distributor

Click to View Pricing, Inventory, Delivery & Lifecycle Information:

[TE Connectivity:](#)

[171825-8](#)