

THIS DRAWING IS UNPUBLISHED. RELEASED FOR PUBLICATION  
 © COPYRIGHT 19 ALL RIGHTS RESERVED.

LOC	DIST	REVISIONS						
		P	LTR	DESCRIPTION	DATE	DWN	APVD	
J			B2	REVISED	ECR-11-011495	02JUN11	TS	KB

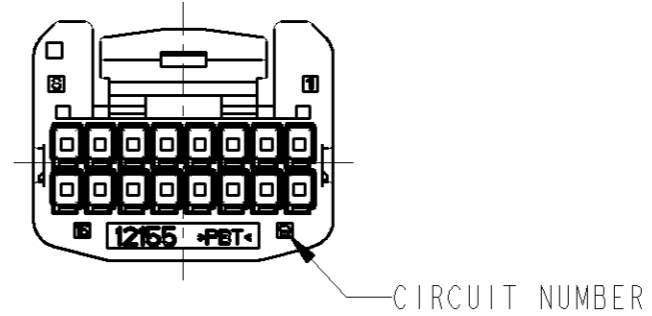
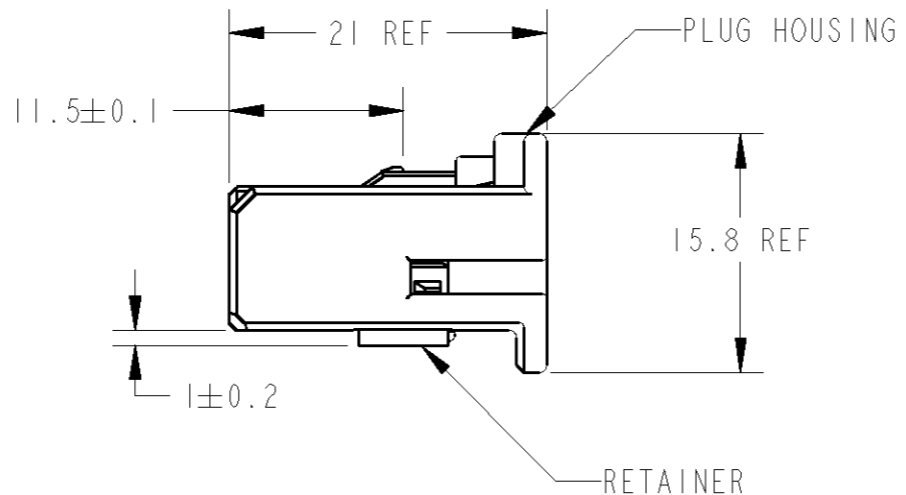
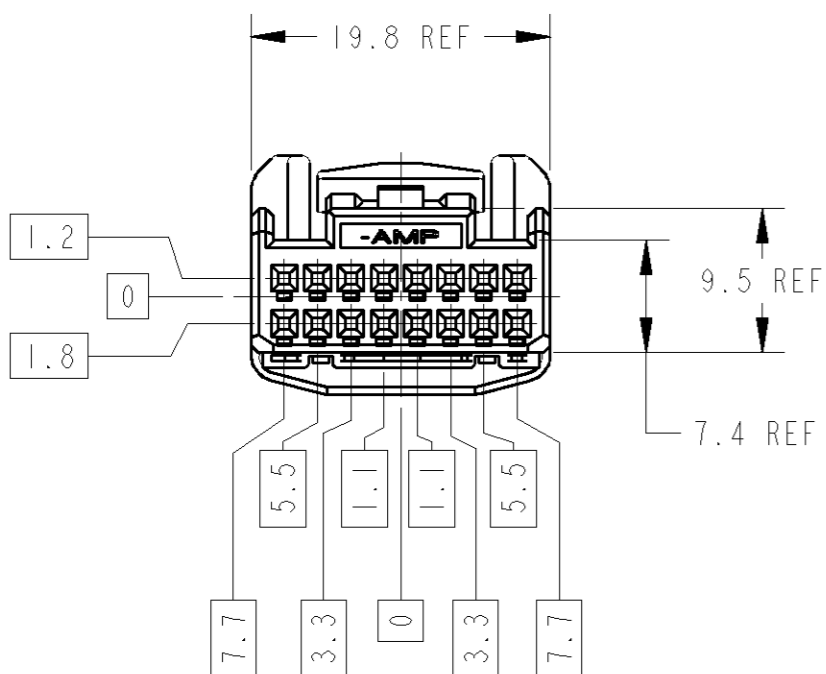
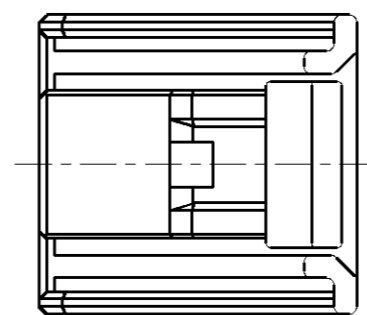


TABLE-1

POS 極数	CAP ASSEMBLY PART NO キャップ 型番
16	1318382

TABLE-2

		TERMINAL NO 端子型番	APPLICABLE WIRE RANGE 適用電線
SIGNAL 025	TIN	1123343-1	AVSS/CAVUS/AVSSH-f 0.3~0.5mm <sup>2</sup> CAVS 0.22~0.5mm <sup>2</sup>

PAPER BOX ダンボール	PLASTIC BAG ビニール袋	COLOR	PART NUMBER
PAPER BOX ダンボール	PLASTIC BAG ビニール袋	BLACK	1318386-2
OUTER 外装	INNER 内装	NATURAL	1318386-1
PACKING STYLE 梱包形態		COLOR	PART NUMBER

1. RETAINER SHOULD BE SET TO THE PRE- ASSEMBLY POSITION WITHIN THE PLUG HOUSING WHEN SHIPPED TO THE CUSTOMER
  2. THE RETENTION LATCH OF THE RETAINER MUST BE OUT SIDE OF PLUG HOUSING WHEN PRE-ASSEMBLY
  3. RETAINER RETENTION FORCE FROM HOUSING : 20N MIN
  4. INSTRUCTION SHEET NO : 411-5928
  5. PART NUMBER OF CAP HOUSING TO BE MATED : SEE TABLE -1
  6. APPLIED TERMINAL : SEE TABLE -2
- △ RETAINER IS THE SAME COLOR AS HOUSING.

1. プラグハウジングにリテーナーを仮止して出荷する
  2. 仮止時リテーナー突起がハウジングの外側に出ていること
  3. リテーナーの仮止保持力は 20N 以上
  4. 取扱い説明書 NO : 411-5928
  5. 嵌合相手型番は TABLE -1参照
  6. 適用端子は TABLE -2参照
- △ リテーナーはハウジング本体と同色とする。

THIS DRAWING IS A CONTROLLED DOCUMENT.

DIMENSIONS: 単位: 概 mm	TOLERANCES UNLESS OTHERWISE SPECIFIED: 一般公差 = ± 0.3	DWN Y. NOGUCHI 10MAR00		
	0-PLC ± 1-PLC ±0.5 2-PLC ±0.13 3-PLC ±0.013 4-PLC ±0.000J ANGLES ±3'00"	CHK N. SAI 10MAR00		
MATERIAL 材料 PBT	FINISH 仕上 NATURAL	APVD N. SAI 10MAR00	NAME 名称 025 SERIES 16POSITION PLUG HOUSING ASSEMBLY	
		PRODUCT SPEC 製品規格 108-5668	SIZE A3	CAGE CODE 00779
		APPLICATION SPEC 取付適用規格 114-5250	DRAWING NO 番号 C=1318386	RESTRICTED TO
		WEIGHT 2.78 g	SCALE 尺度 5:1	SHEET 1 OF 1
		CUSTOMER DRAWING	REV B2	

# Mouser Electronics

Authorized Distributor

Click to View Pricing, Inventory, Delivery & Lifecycle Information:

[TE Connectivity:](#)

[1318386-1](#)