

THIS DRAWING IS UNPUBLISHED.

RELEASED FOR PUBLICATION

ALL RIGHTS RESERVED.

© COPYRIGHT - By -

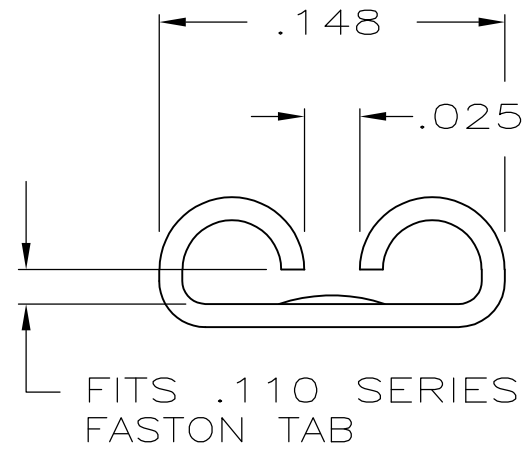
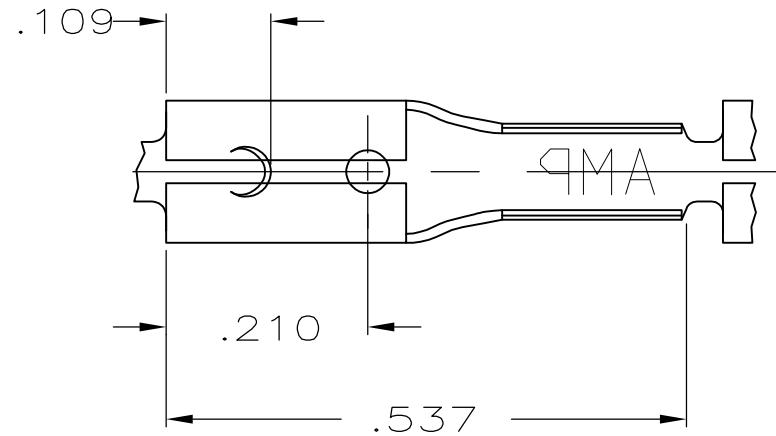
LOC
AF

DIST
50

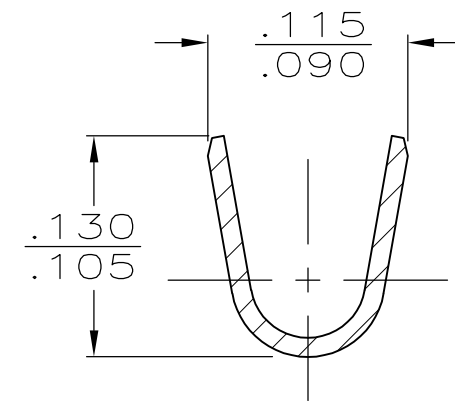
REVISIONS

P	LTR	DESCRIPTION	DATE	DWN	APVD
B		REVISED PER ECR-12-013445	18OCT12	KH	PD

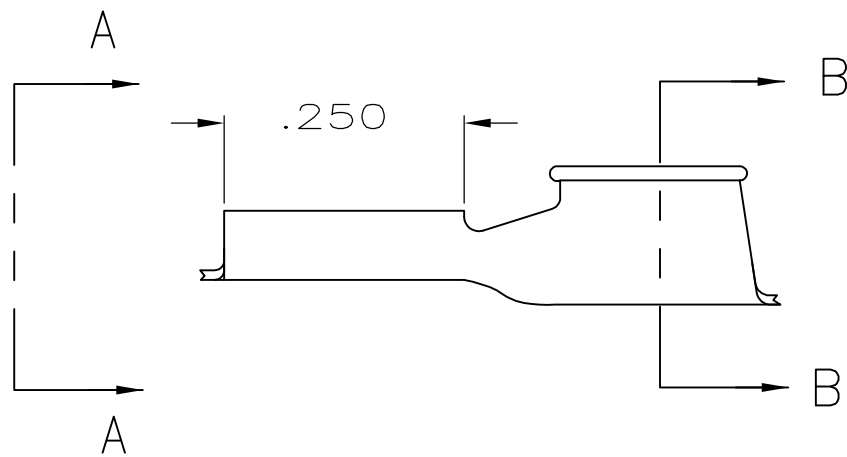
1 CONTINUOUS STRIP ON REELS.




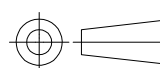
VIEW A-A



SECTION B-B



20-16	.020 ±.001	41500
WIRE SIZE	TAB THK.	PART NO.

THIS DRAWING IS A CONTROLLED DOCUMENT.		DWN KIRAN HOLAL 28DEC2012	 TE Connectivity					
DIMENSIONS: INCHES		CHK DESANTIS, PETER 28DEC2012				NAME .110 SERIES FASTON, RECEPTACLE		
TOLERANCES UNLESS OTHERWISE SPECIFIED:		APVD DESANTIS, PETER 28DEC2012						
		PRODUCT SPEC -				SIZE	CAGE CODE	DRAWING NO
MATERIAL BRASS		FINISH PRE-TIN	APPLICATION SPEC -	WEIGHT -	A300779	C-41500	-	
CUSTOMER DRAWING			SCALE NTS	SHEET 1 OF 1	REV B			

Mouser Electronics

Authorized Distributor

Click to View Pricing, Inventory, Delivery & Lifecycle Information:

[TE Connectivity:](#)

[41500](#)