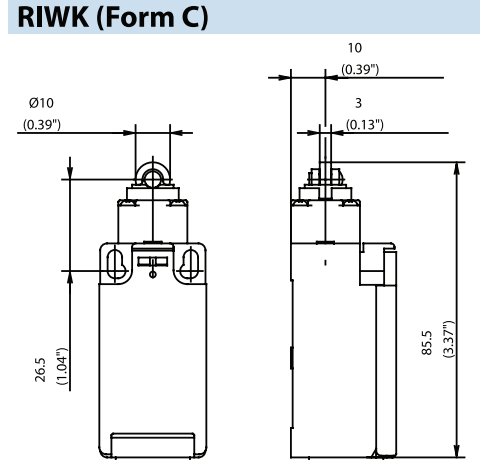
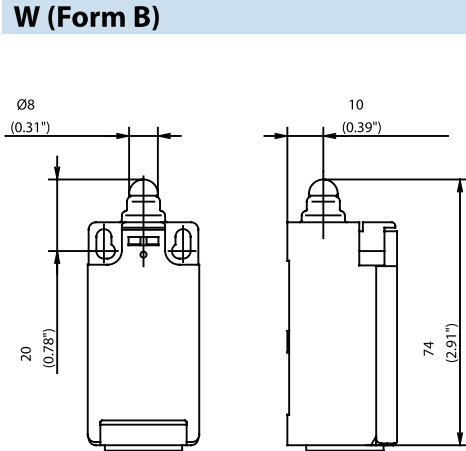


I88 Series



Switching Operation	Slow Action	Snap Action	Slow Action	Snap Action
1 NC / 1 NO Contacts	608.6103.008 I88-U1Z W 	608.6153.012 I88-SU1Z W 	608.6117.017 I88-U1Z RIWK 	608.6167.018 I88-SU1Z RIWK
2 NC Contacts	608.6803.013 I88-A2Z W 	-	608.6817.087 I88-A2Z RIWK 	-
2 NO Contacts	608.6803.014 I88-E2 W 	-	608.6817.071 I88-E2 RIWK 	-
1 NC / 1 NO Contacts Overlapping	608.6303.011 I88-UV1Z W 	-	-	-

Technical Information

	Slow Action	Snap Action	Slow Action	Snap Action
Maximum Switching Voltage	240V	240V	240V	240V
Max. Switching Amps (up to)*	10A	10A	10A	10A
B10d (up to)*	20 Million	20 Million	20 Million	20 Million
Mechanical Service Life (up to)*	10 x 10 ⁶	10 x 10 ⁶	10 x 10 ⁶	10 x 10 ⁶
Switching Frequency	≤ 100/min	≤ 100/min	≤ 100/min	≤ 100/min
Operating Temperature	-30 °C to +80 °C	-30 °C to +80 °C	-30 °C to +80 °C	-30 °C to +80 °C
Protection Rating	IP65	IP65	IP65	IP65
Utilization Category (up to)*	AC-15, Ue/Ue 240V 3A	AC-15, Ue/Ue 240V 3A	AC-15, Ue/Ue 240V 3A	AC-15, Ue/Ue 240V 3A
Rate Insulation Voltage	250VAC	250VAC	250VAC	250VAC

Approvals * Depending on switching system - see technical information for details



Special features/variants (on request)

- Available with black enclosure
- With latching function



Special features/variants (on request)

- Available with steel roller or black enclosure
- With black enclosure
- With latching function

Drawing dimensions in mm

Mouser Electronics

Authorized Distributor

Click to View Pricing, Inventory, Delivery & Lifecycle Information:

[Altech:](#)

[608.6167.018](#) [608.6803.014](#) [608.6103.008](#) [608.6817.087](#) [608.6117.017](#) [608.6153.012](#) [608.6803.013](#)
[608.6303.011](#) [608.6817.071](#)