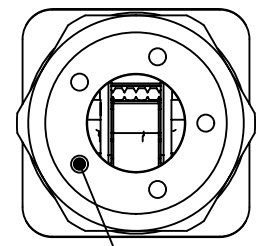
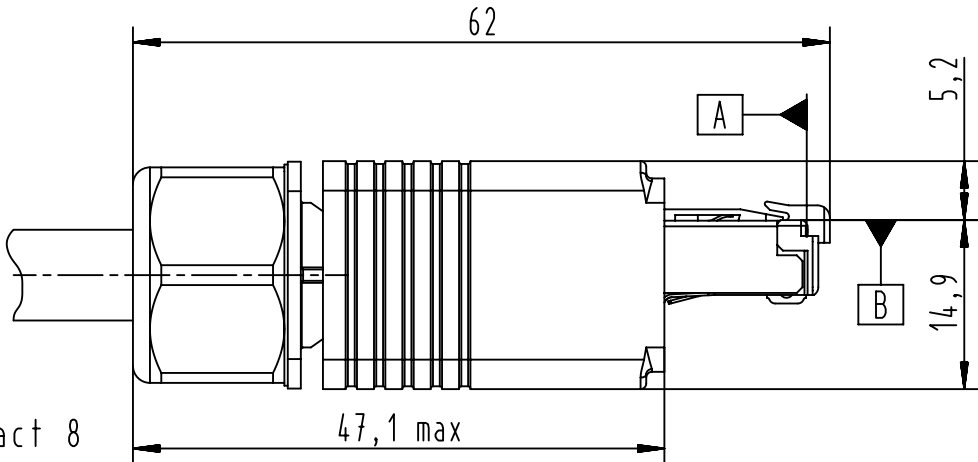
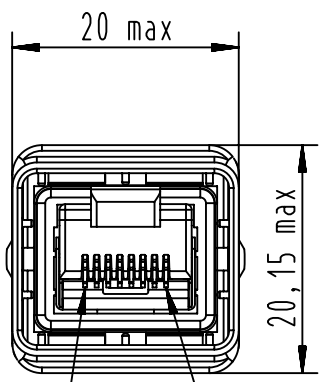


Cable \varnothing 4,9 to 8,6mm

Mating face according to IEC 60603-7

SCALE 1:1



On request :
color coding
ring for PG9 nut
TB 09 45 840 001X

Data contact plating: Au 1.27 μ m (50 μ inch) over nickel

- For stranded conductors AWG 28 up to AWG 24
- Max. wire diameter 1.05mm
- Cable diameter 4.9 - 8.6mm
- Degree of protection IP65/IP67
- Cat.6A performance class EA suitable for 1/10 Gigabit Ethernet
- Temperature range -40°C up to +70°C
- 750 mating cycles

	All Dimensions in mm Original Size DIN A4	Scale 1:1	Free size tol.		Ref.	
	All rights reserved Department EC PD - FR	Created by ATIRIS	Inspected by DAUCHELLE	Standardisation HOFFMANN	Date 2013-03-19	State Final Release
HARTING Electronics GmbH D-32339 Espelkamp		Title HPP V4 RJ45 GL Cat6A plug 8p			Doc-Key / ECM-Nr. 100515101/UGD/001/B 500000059856	
		Type TB	Number 09451451520		Rev. B	Page 1/1

Mouser Electronics

Authorized Distributor

Click to View Pricing, Inventory, Delivery & Lifecycle Information:

[HARTING:](#)

[09451451520](#)