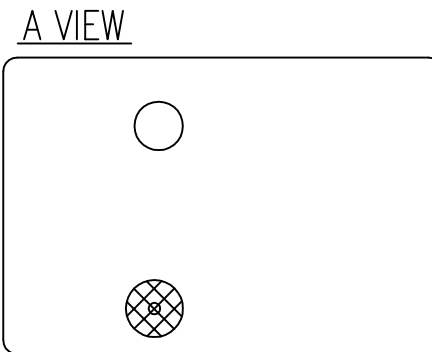
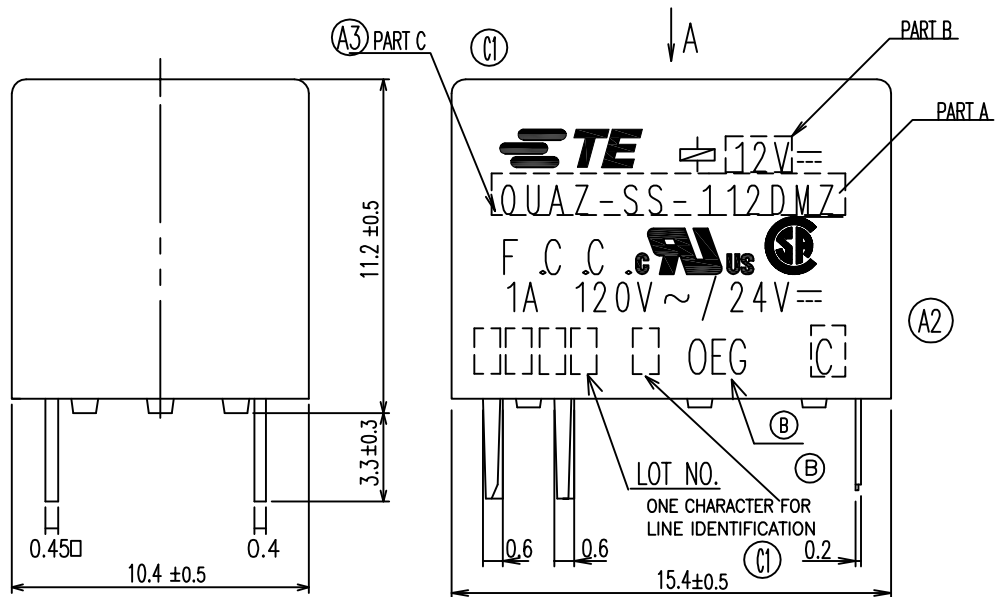
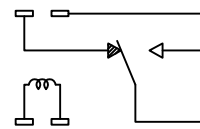


P	LTR	DESCRIPTION	DATE	DWN	APVD
	C1	1.CHANGE TE LOGO 2.ADD LINE IDENTIFICATION 3.PN OBSOLETE 4.TERMINALS TOLERANCE CLARIFICATION	ECO-11-018616	04-MAY-12	S.P BH.Y

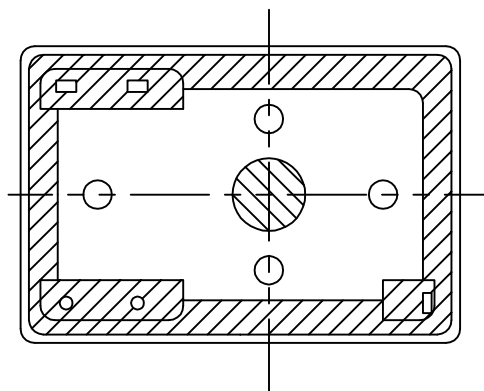
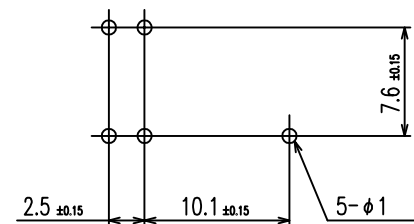


- Ⓑ NOTES:
- LOT NO. SYSTEM AS FOLLOWING:
 - TERMINAL DIMENSIONS BEFORE SOLDER DIP
 - FOR THE TIN-PLATING OF THE PINS:
 +0.1mm FOR WIDTH, THICKNESS AND DIAMETER
 +0.5mm FOR LENGTH

WIRING DIAGRAM



PCB LAYOUT (GENERAL TOLERANCE ± 0.15)



GENERAL TOLERANCE:

Diagram Dimension	Tolerance
0.99mm,max	±0.1mm
1-2.99mm	±0.2mm
3mm min	±0.3mm

DIMENSIONS: mm		TOLERANCES UNLESS OTHERWISE SPECIFIED:		DWN Steven.Zhou	TE Connectivity NAME OUAZ D/L STANDARD CUSTOMER DRAWING
		0 PLC ±	1 PLC ±	CHK Banghua,Yu	
MATERIAL		2 PLC ±	3 PLC ±	APVD Sunny,Zhang	
FINISH		4 PLC ±	ANGLES ±	PRODUCT SPEC SEE RELAY TYPE	
WEIGHT CUSTOMER DRAWING				APPLICATION SPEC	DRAWING NO A3 00779 C= 1461015
SCALE 5:1				SHEET 1 OF 2	RESTRICTED TO -
				REV C1	

LOC	HB	DIST	REVISIONS							
			P	LTR	DESCRIPTION	FCN	DATE	DWN	APVD	

(A3)

ACTIVE	NONE	1461015-6	OUAZ-SH-118L 900	18V	OUAZ-SH-118L	x
ACTIVE	MARKING	4-1419145-8	OUAZ-SH-124L 900	24V	OUAZ-SH-124L	w
ACTIVE	MARKING	6-1419130-5	OUAZ-SH-112L 900	12V	OUAZ-SH-112L	v
OBSOLETE	MARKING	4-1419145-6	OUAZ-SH-109L 900	9V	OUAZ-SH-109L	u
ACTIVE	MARKING	4-1419145-3	OUAZ-SH-106L 900	6V	OUAZ-SH-106L	t
ACTIVE	MARKING	4-1419145-0	OUAZ-SH-105L 900	5V	OUAZ-SH-105L	s
ACTIVE	MARKING	4-1419130-0	OUAZ-SH-103L 900	3V	OUAZ-SH-103L	r
ACTIVE	MARKING	1461015-4	OUAZ-SH-124D 900	24V	OUAZ-SH-124D	q
ACTIVE	MARKING	5-1419130-6	OUAZ-SH-112D 900	12V	OUAZ-SH-112D	p
OBSOLETE	MARKING	1461015-3	OUAZ-SH-109D 900	9V	OUAZ-SH-109D	o
OBSOLETE	MARKING	1461015-2	OUAZ-SH-106D 900	6V	OUAZ-SH-106D	n
ACTIVE	MARKING	3-1419145-9	OUAZ-SH-105D 900	5V	OUAZ-SH-105D	m
OBSOLETE	MARKING	1461015-5	OUAZ-SH-103D 900	3V	OUAZ-SH-103D	l
ACTIVE	MARKING	1-1419131-1	OUAZ-SS-124L 900	24V	OUAZ-SS-124L	k
ACTIVE	MARKING	1419131-5	OUAZ-SS-112L 900	12V	OUAZ-SS-112L	j
ACTIVE	MARKING	9-1419130-8	OUAZ-SS-109L 900	9V	OUAZ-SS-109L	i
ACTIVE	MARKING	5-1419145-4	OUAZ-SS-106L 900	6V	OUAZ-SS-106L	h
ACTIVE	MARKING	8-1419130-6	OUAZ-SS-105L 900	5V	OUAZ-SS-105L	g
OBSOLETE	MARKING	1461015-1	OUAZ-SS-124D 900	24V	OUAZ-SS-124D	f
ACTIVE	MARKING	5-1419145-7	OUAZ-SS-112D 900	12V	OUAZ-SS-112D	e
ACTIVE	MARKING	9-1419130-3	OUAZ-SS-109D 900	9V	OUAZ-SS-109D	d
ACTIVE	MARKING	5-1419145-2	OUAZ-SS-106D 900	6V	OUAZ-SS-106D	c
ACTIVE	MARKING	8-1419130-3	OUAZ-SS-105D 900	5V	OUAZ-SS-105D	b
OBSOLETE	MARKING	5-1419145-0	OUAZ-SS-103D 900	3V	OUAZ-SS-103D	a
STATUS	MARKING	PART NO	DESCRIPTION	PART B	PART A	TYPE

(C1)

RELAY TYPE

UV RESIN	UV SEAL:3056C(VENT HOLE)	12
EPOXY RESIN	SEAL:2212E	11
POLYURETHANE COPPER WIRE	MAGNETIC WIRE	10
PBT	CASE	9
Cu ALLOY	MOVABLE SPRING	8
Cu ALLOY	B TERMINAL	7
Cu ALLOY	M TERMINAL	6
STEEL	ARMATURE	5
STEEL	CORE	4
STEEL	YOKE	3
C.P WIRE	COIL TERMINAL	2
PBT	BOBBIN	1
MATERIAL	DESCRIPTION	ITEM

<p>DIMENSIONS:</p> <p>mm</p>	<p>TOLERANCES UNLESS OTHERWISE SPECIFIED:</p> <p>0 PLC ±</p> <p>1 PLC ±</p> <p>2 PLC ±</p> <p>3 PLC ±</p> <p>4 PLC ±</p> <p>ANGLES ±</p>	DWN				
		CHK				
<p>MATERIAL</p>	<p>FINISH</p>	APVD	OUAZ D/L STANDARD CUSTOMER DRAWING			
		PRODUCT SPEC	SIZE	CAGE CODE	DRAWING NO	RESTRICTED TO
		APPLICATION SPEC	A3	00779	①= 1461015	-
		WEIGHT	CUSTOMER DRAWING		SCALE	SHEET 2 OF 2
					REV C1	

Mouser Electronics

Authorized Distributor

Click to View Pricing, Inventory, Delivery & Lifecycle Information:

[TE Connectivity:](#)

[1461015-4](#) [OUAZ-SH-124D,900](#)