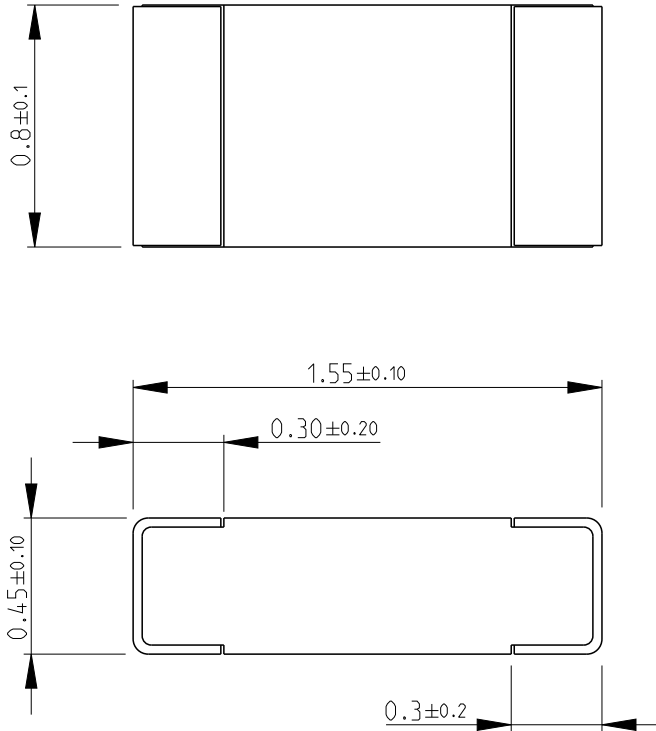
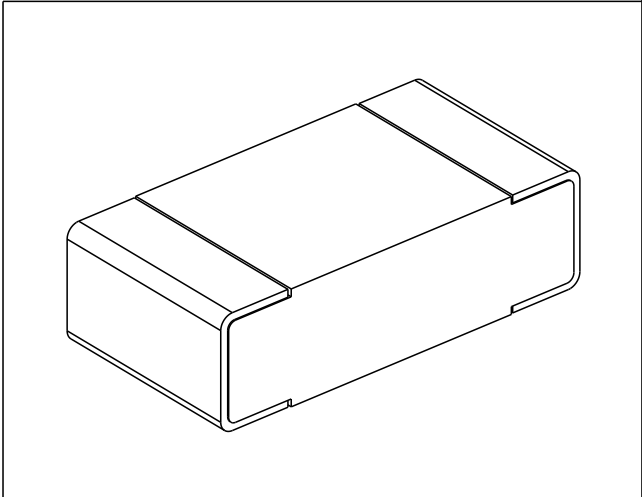


REVISIONS				
P	LTR	DESCRIPTION	DATE	APVD
	BA	NEW RELEASE	18JUN2014	KR TN

FOR FURTHER INFORMATION SEE DATA SHEET FOR CPF SERIES-THIN FILM PRECISION CHIP RESISTORS



RoHS Compliant



2008


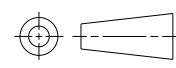
RELEASED FOR PUBLICATION

ALL RIGHTS RESERVED.

BY -

© COPYRIGHT 2008

THIS DRAWING IS UNPUBLISHED.

DIMENSIONS:		DWN	18JUN2014	MATERIAL	-	FINISH	-
mm		RAGHAVENDRA K		 TE Connectivity			
TOLERANCES UNLESS OTHERWISE SPECIFIED:		CHK	18JUN2014				
0 PLC	± 0.2	ALLAN P		NAME THIN FILM PRECISION CHIP RESISTORS SERIES CPF 0603			
1 PLC	± 0.1	APVD	18JUN2014				
2 PLC	\pm	TONY N		SIZE	CAGE CODE	DRAWING NO	RESTRICTED TO
3 PLC	\pm	PRODUCT SPEC	-	A 4	00779	C-1879417	-
4 PLC	\pm	APPLICATION SPEC	-	SCALE 40:1 SHEET 1 OF 1 REV BA			
ANGLES	$\pm 5^\circ$	WEIGHT	0.00183 GR				
		Customer Drawing					

Mouser Electronics

Authorized Distributor

Click to View Pricing, Inventory, Delivery & Lifecycle Information:

[TE Connectivity:](#)

[1-1879417-8](#)