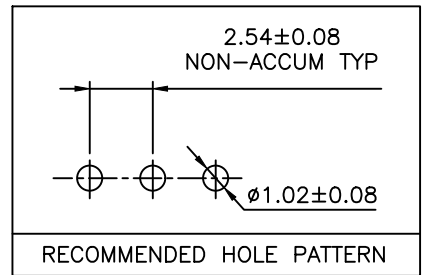
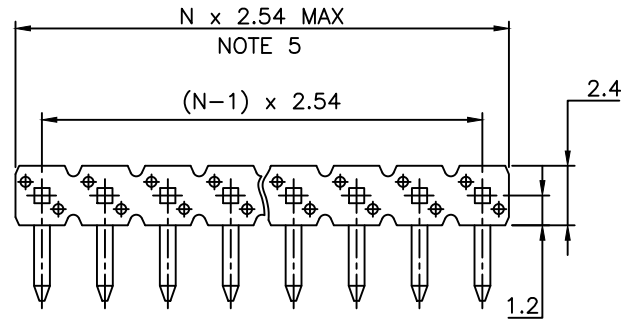


PRODUCT NUMBER

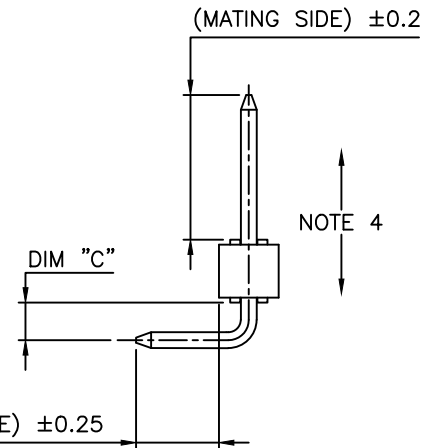
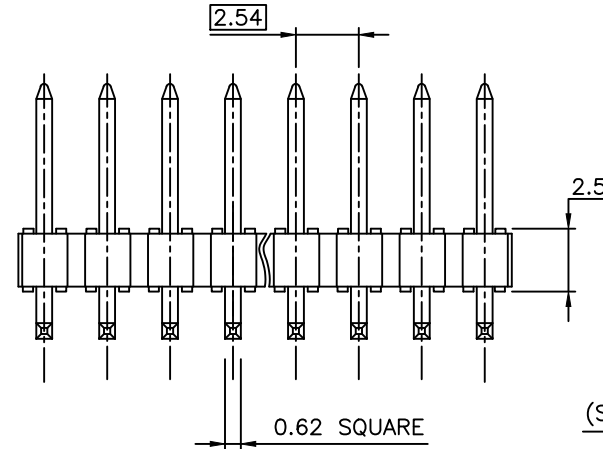
77315-YXX-XXLF

- RoHS COMPATIBLE
SEE NOTE 7
- TOTAL NB OF POSITIONS 01 TO 36
- PACKAGING, NOTE 3
- PIN STYLE SEE SHEET 2
- PLATING SEE SHEET 2



NOTES:

1. HOUSING MAT'L : HIGH TEMPERATURE THERMOPLASTIC. UL94V-0 COLOR: BLACK
2. PIN MATERIAL : PHOSPHOR BRONZE
3. PACKAGING:
 - PACKAGING POLYBAG
 - "V" BLIBOX PACK FOR CUSTOMER DEDICATED PART
 - "K" TAPE & REEL PACKAGING WITHOUT PICK UP CAP
4. 9N MIN RETENTION IN EITHER DIRECTION
5. TO DETERMINE DIMENSIONS :
N = NUMBER OF POSITIONS PER ROW
EXAMPLE : 8 POS N x 2.54 = 20.32mm
6. UNDERPLATING : 1.27µm Ni MIN
7. RoHS COMPATIBLE PRODUCT SPECIFICATIONS
 - a - PLATING:
 - "LF" MEANS THE PRODUCT IS LEAD-FREE, 2µm MINIMUM MATTE TIN OVER 1.27µm MINIMUM NICKEL UNDERPLATE.
 - b - MANUFACTURING PROCESS COMPATIBILITY
 - THE HOUSING WILL WITHSTAND EXPOSURE TO 260°C ±5°C SOLDER BATH TEMPERATURE FOR 5 SECONDS IN A WAVE SOLDER APPLICATION WITH A 1.6mm MIN THICK CIRCUIT BOARD.
 - REFLOW COMPATIBLE
 - c - LABELING:
 - MEETS PACKAGING SPECS AS PER GS-14-920
 - d - LEGAL STATEMENT: SEE GS-47-0004



mat'l. code		surface		tolerance		projection		product family	
SEE NOTES		ISO 1302		ISO 406 ISO 1101		mm		BERGSTIK	
lfr	ecn no	dr	date	tolerances unless otherwise specified		mm		title	
BB	F-26544	LMU	17.11.20	angles	linear	mm		UNSHR.HEADER	
						scale 5:1		RA SR TMT	
AV	F-23462	LMU	16.03.07					dwg no	
AW	F-23551	LMU	16.03.21	dr	D.LE	01.01.24		sheet 1 of 2	
AX	F-24328	AMA	16.06.17	enr	JM.C	01.01.24		size	
AY	F-25336	DDE	16.11.15	chr	JM.C	01.01.24		77315	
BA	F-25361	DDE	16.11.16	appd	JF.N	01.01.24		A3	
sheet		revision		BB		AV		type	
index		sheet		1		2		CUSTOMER Drawing	

PRODUCT SPECIFICATIONS

PIN	STYLE	MATING	SOLDER	DIM "C"
01		5.72	2.57	1.5
02		5.72	5.11	1.5
03		5.72	7.65	1.5
07		5.72	5.11	3.9
13		5.72	3.45	1.5
18		5.84	3.05	1.5
22		11.71	3.2	1.5
24		6.75	2.85	1.5
25		8.07	3.05	1.5
26		8.2	12.6	1.5
27		5	3.9	1.5
28		3.1	3.1	1.5
29		9.7	2.90	1.5
30		8.30	4.40	1.5
31		11.70	2.80	1.5
32		8.90	3.05	1.5
33		10.20	3.05	1.5
34		10.00	3.25	1.5
35		5.72	12.73	1.5
36		N/A		
37		N/A		
38		8.51	5.51	1.5
39		9.80	9.30	1.5
40		8.13	2.54	3.90
41		14.20	3.05	1.5
42		9.00	7.20	1.5
43		8.08	2.79	1.5
44		15.70	2.79	1.5
45		8.20	2.35	1.5
46		3.10	9.90	1.5
47		2.30	2.30	1.5
48		3.50	3.05	1.5
49		6.60	4.52	1.5
50		7.00	9.00	4.46

PLATING

- 1 = 0.76µm GOLD/GXT ON CONTACT AREA, 2µm TIN MIN ON TAIL
- 4 = 3µm-5µm TIN FULL PLATED REFLOW
- 5 = 0.25µm GOLD/GXT ON CONTACT AREA, 2µm TIN MIN ON TAIL
- 8 = 0.38µm GOLD/GXT ON CONTACT AREA, 2µm TIN MIN ON TAIL
- G = 0.76µm FULL GXT
- S = 0.38µm FULL GXT
- 1.27µm NICKEL MIN UNDERLAYER FOR ALL PLATING VERSIONS



FCIconnect.com

Copyright FCI

mat'l. code		surface		tolerance		projection		product family	
SEE NOTES		ISO 1302 ✓		ISO 406 ISO 1101				BERGSTIK	
ltr	ecn no	dr	date	tolerances unless otherwise specified		mm		title	
AP	F-23462	LMU	16.03.07	angles	linear	.x ±0.3		UNSHR.HEADER RA SR TMT	
AR	F-23551	LMU	16.03.21			.xx ±0.15			
AS	F-24328	AMA	16.06.17			.xxx ±0.05		scale 5:1	
AT	F-25336	DDE	16.11.15	dr	D.LE	01.01.24		dwg no	
AU	F-25361	DDE	16.11.16	enr	JM.C	01.01.24		sheet 2 of 2	
AV	F-26544	LMU	17.11.20	chr	JM.C	01.01.24		77315	
				appd	JF.N	01.01.24		A3	
sheet index		revision sheet						type CUSTOMER Drawing	

Mouser Electronics

Authorized Distributor

Click to View Pricing, Inventory, Delivery & Lifecycle Information:

[FCI / Amphenol:](#)

[77315-120-02LF](#) [7731513520L](#) [7731542815L](#) [77315-402-06LF](#) [77315-441-02LF](#) [77315-101-01LF](#) [77315-141-12LF](#)
[77315-428-27LF](#)