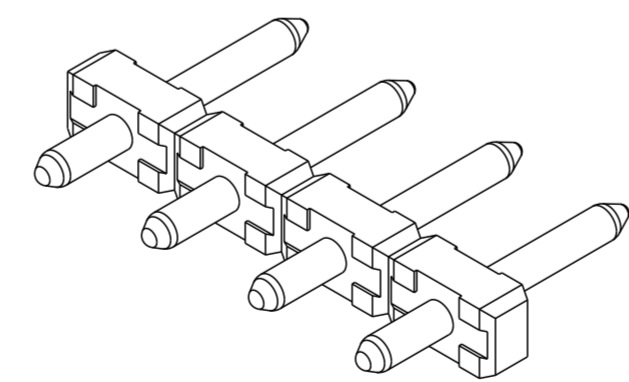
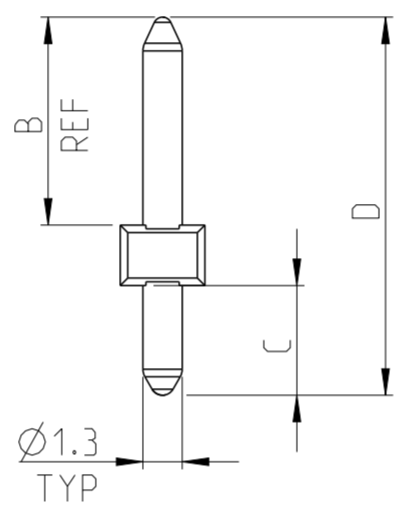
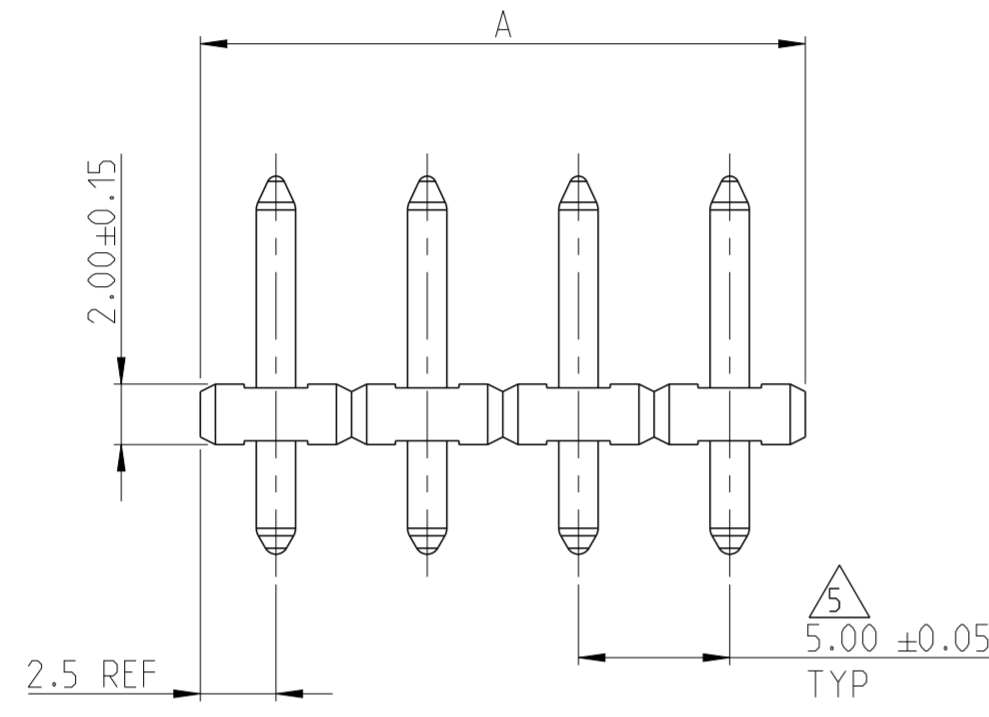
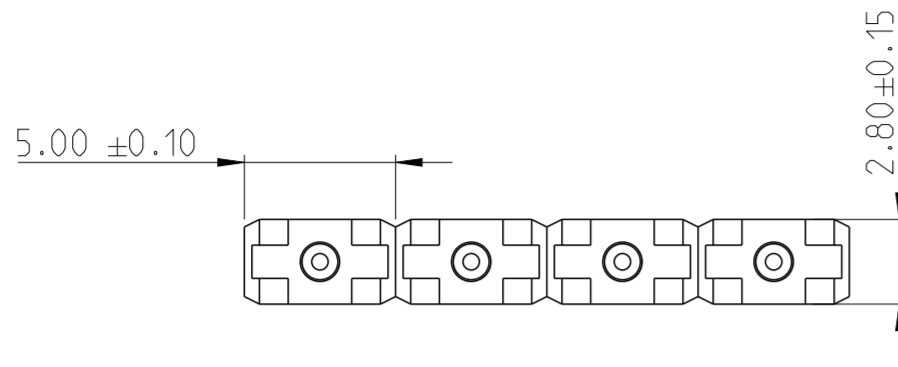
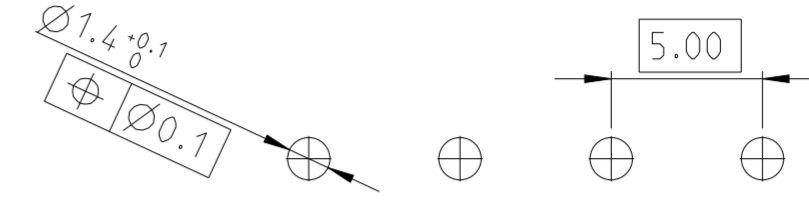


THIS DRAWING IS UNPUBLISHED. RELEASED FOR PUBLICATION 20
 © COPYRIGHT 20 BY - ALL RIGHTS RESERVED.

LOC	DIST	REVISIONS					
FT	0	P	LTR	DESCRIPTION	DATE	DWN	APVD
			H7	PN 4-282832-1 ADDED	20MAR2018	RK	PS



282832-4 AS SHOWN



RECOMMENDED PC BOARD LAYOUT

TERMINAL PLATING	D	C	B	A	NO OF POSN	PART NUMBER	
PRELIMINARY	TIN	20.5	3.5	15.0	45.0	9	4-282832-1
	TIN	20.5	4.5	14.0	30.0	6	4-282832-0
PRELIMINARY	TIN	20.5	3.5	15.0	20.0	4	3-282832-9
PRELIMINARY	TIN	20.5	3.5	15.0	15.0	3	3-282832-8
		16.5	3.5	11.0	20.0	4	3-282832-7
		20.5	4.5	14.0	15.0	3	3-282832-6
OBSOLETE	TIN	21.1		15.6	20.0	4	3-282832-5
					15.0	3	3-282832-4
OBSOLETE	GOLD	16.5		11.0	15.0	3	3-282832-3
					10.0	2	3-282832-2
OBSOLETE		12.5	3.5	7.0	15.0	3	2-282832-7
					125.0	25	2-282832-6
					120.0	24	2-282832-5
					115.0	23	2-282832-4
					110.0	22	2-282832-3
					105.0	21	2-282832-2
					100.0	20	2-282832-1
					95.0	19	2-282832-0
					90.0	18	1-282832-9
					85.0	17	1-282832-8
					80.0	16	1-282832-7
					75.0	15	1-282832-6
					70.0	14	1-282832-5
OBSOLETE	TIN	16.5	3.5	11.0	65.0	13	1-282832-4
					60.0	12	1-282832-3
					55.0	11	1-282832-2
					50.0	10	1-282832-1
					45.0	9	282832-9
					40.0	8	282832-8
					35.0	7	282832-7
					30.0	6	282832-6
					25.0	5	282832-5
					20.0	4	282832-4
					15.0	3	282832-3
					10.0	2	282832-2

- NOTES:
- MATERIALS AND FINISH:
HOUSING: PA 4T, UL 94-V0, COLOR GREEN
TERMINAL: BRASS, PLATING: SEE TABLE.
 - MECHANICAL
MAX. INSERTION FORCE PER POLE : 2N
MIN. WITHDRAWAL FORCE PER POLE : 1.2N
MIN. PC BOARD HOLES DIAMETER : 1.4mm
MAX. PC BOARD THICKNESS : 2.4mm
 - ELECTRICAL
MAX. VOLTAGE : 300 V
MAX CURRENT : 12 A
CONTACT RESISTANCE : < 15 m Ohm
INSULATION RESISTANCE : > 1000 M Ohm (500V DC)
 - OPERATING TEMPERATURE RANGE: -40°C TO +110°C
 - TOLERANCE NOT CUMULATIVE.
 - END-TO-END STACKABLE WITHOUT LOSS OF CENTERLINE SPACING.
 - RECOGNIZED UNDER THE COMPONENT PROGRAM OF UNDERWRITERS LABORATORIES INC. FILE N° E60677.

THIS DRAWING IS A CONTROLLED DOCUMENT.

DWN E. ZANOLINI 14 AUG 2001
 CHK D. BIEVENOUR 14 AUG 2001
 APVD D. BIEVENOUR 14 AUG 2001

TE Connectivity

NAME: TERMINAL BLOCK PIN HEADER UNSHROUDED 5.0 mm PITCH

PRODUCT SPEC: 108-20166
 APPLICATION SPEC: 114-20079

SIZE: A2 CAGE CODE: 00779 DRAWING NO: C-282832 RESTRICTED TO: -

MATERIAL: 1 TOLERANCES UNLESS OTHERWISE SPECIFIED: 1

WEIGHT: -

CUSTOMER DRAWING SCALE: 4:1 SHEET: 1 OF 1 REV: H7

Mouser Electronics

Authorized Distributor

Click to View Pricing, Inventory, Delivery & Lifecycle Information:

[TE Connectivity:](#)

[282832-5](#)