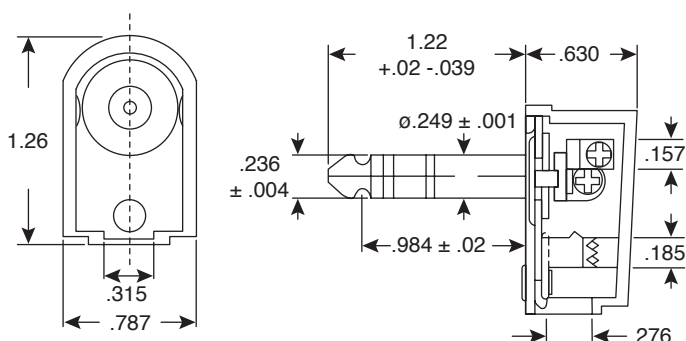
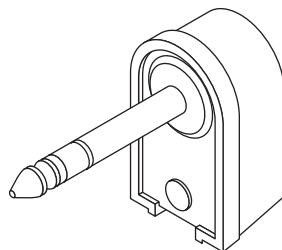


1/4" Stereo Phone Plug

17PP071-EX



1/4" Stereo Phone Plug



DIMENSIONS IN.

SPECIFICATIONS	
Type:	non-shielded 1/4" stereo plug
Breakdown Voltage:	500VAC for 1 minute
Insulation Resistance:	100MΩ min. @ 500VDC
Contact Resistance:	50mΩ max.
Life:	10,000 cycles min.
Tip, Ring, Sleeve:	nickel plated steel
Tip Insulators:	ebonite
Terminal Insulators:	phenol
Terminals, Frame, Screw:	nickel plated steel
Cap:	polypropylene
RoHS Compliant by Exemption	

Date Last Revised: 12-21-05

Available from Mouser Electronics
1-800-346-6873
www.mouser.com

KC-300903

171PP071-EX

Mouser Electronics

Authorized Distributor

Click to View Pricing, Inventory, Delivery & Lifecycle Information:

[Kobiconn:](#)

[17PP071-EX](#)