

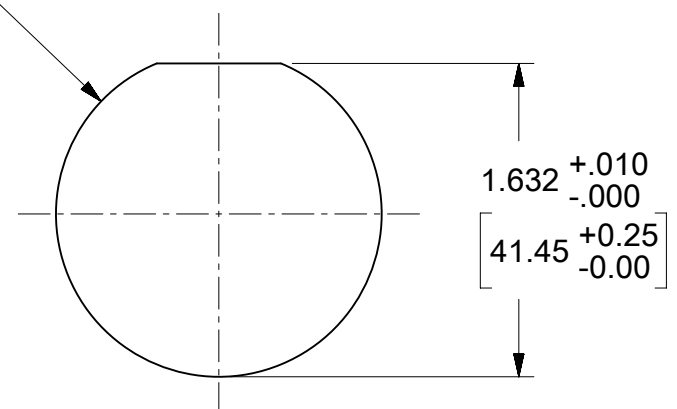
MATERIAL NUMBER	WIRE AWG	INSULATION DIA O.D.	RING
845110004	18 - 14	.053 - .134 [1.35 - 3.40]	STD., BLACK

LARGE POLARIZING KEYWAY INDICATOR

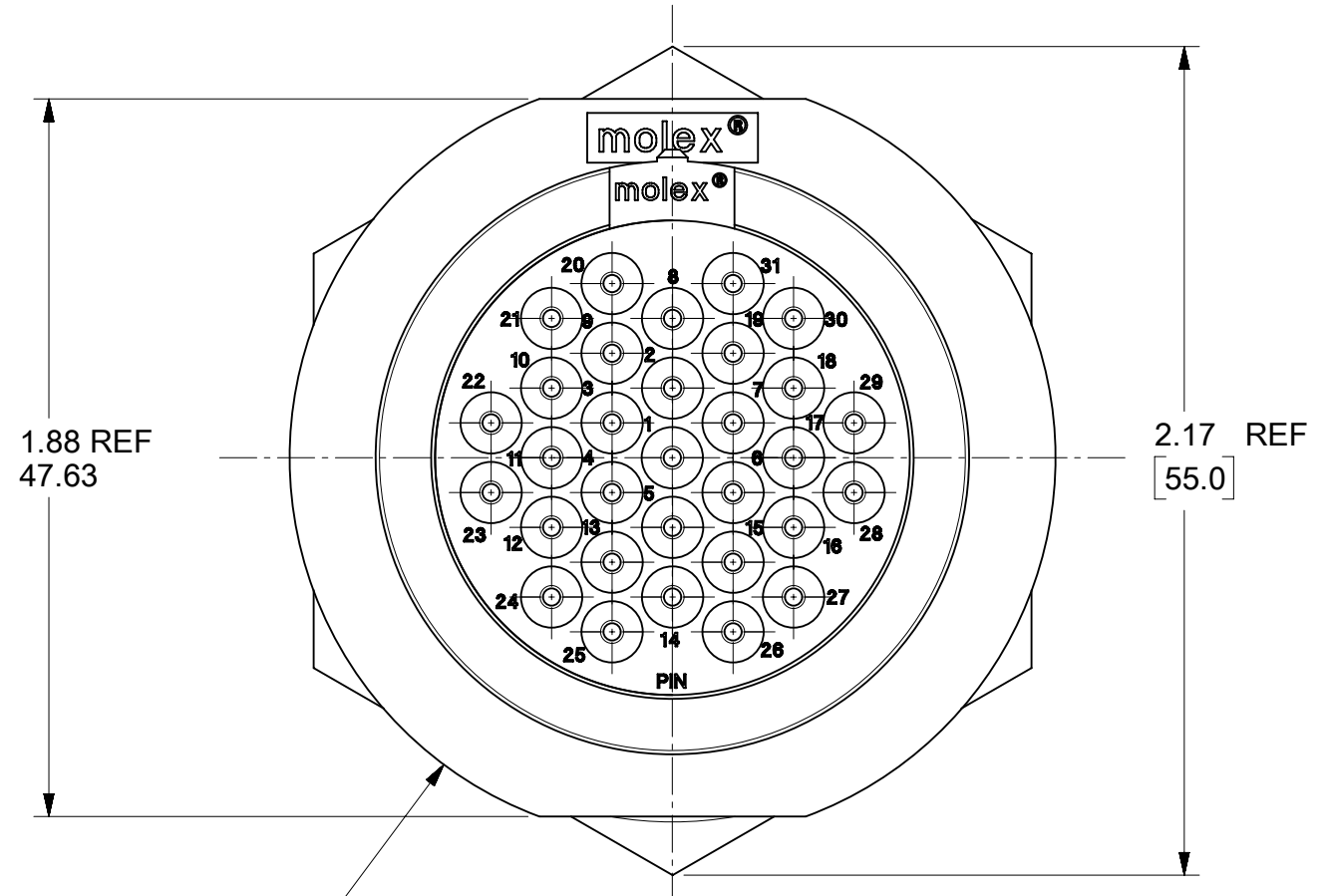
STANDARD BLACK RING

SCALE 1:1

$\varnothing 1.696 \pm .005$
[43.08 ± 0.13]

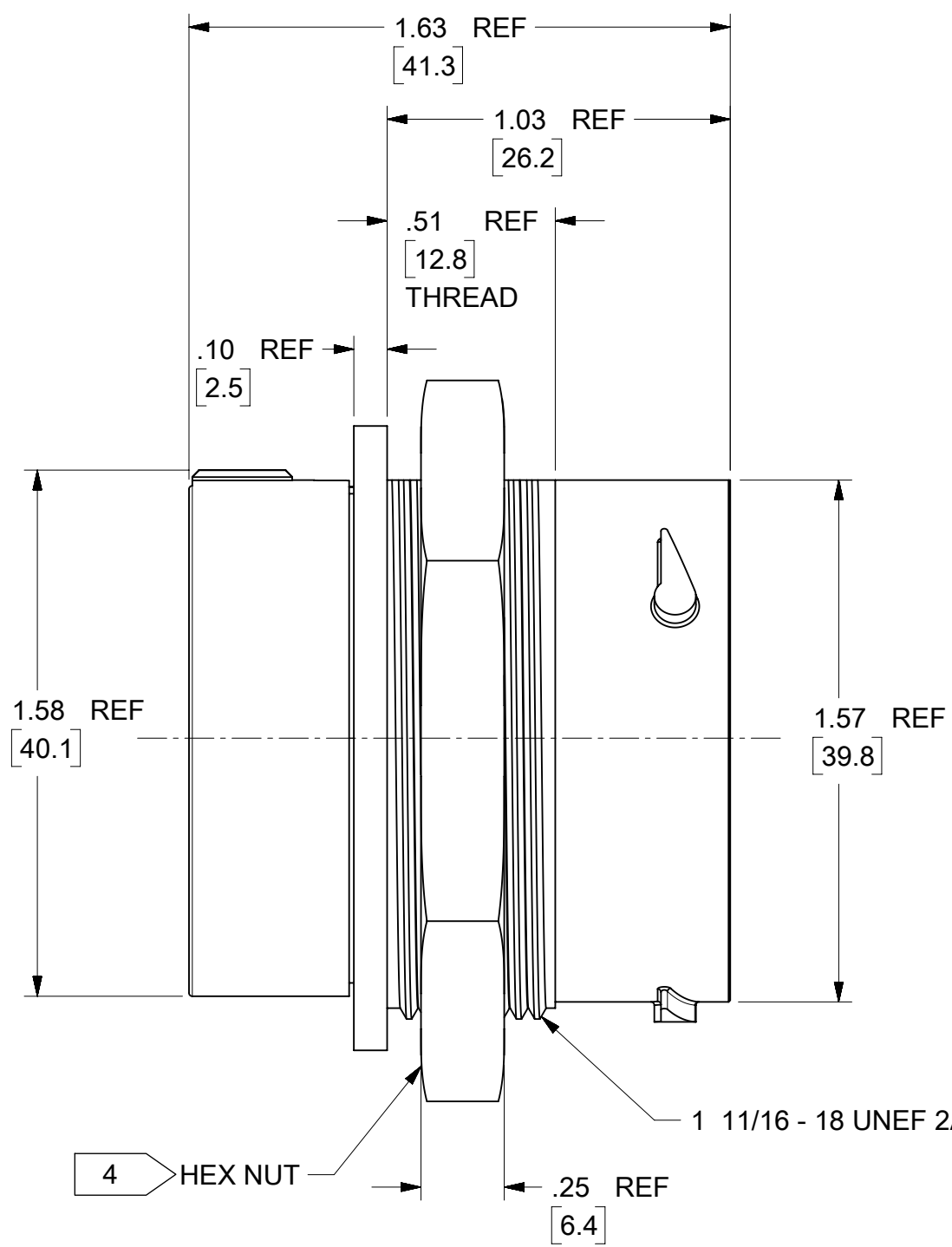


RECOMMENDED MOUNTING HOLE



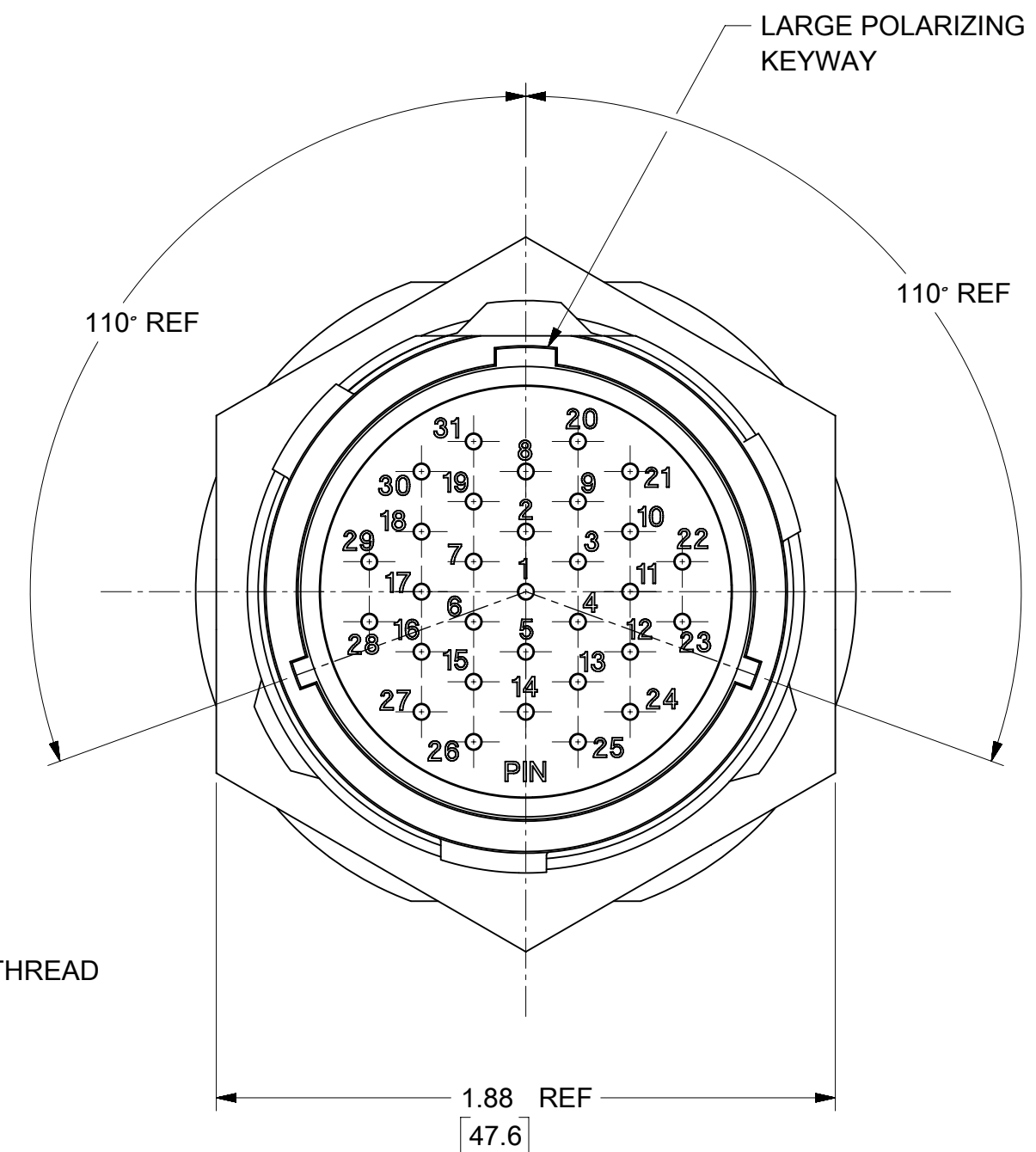
WIRE ENTRY VIEW

$\varnothing 2.00$ REF
[50.8]



1 11/16 - 18 UNEF 2A THREAD

4 HEX NUT



LARGE POLARIZING KEYWAY

110° REF

110° REF

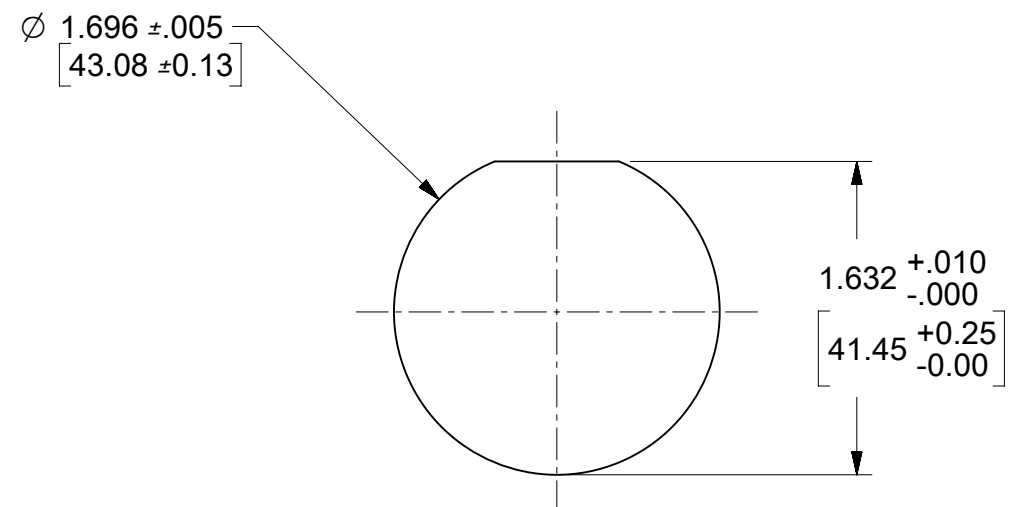
1.88 REF
[47.6]

NOTES:

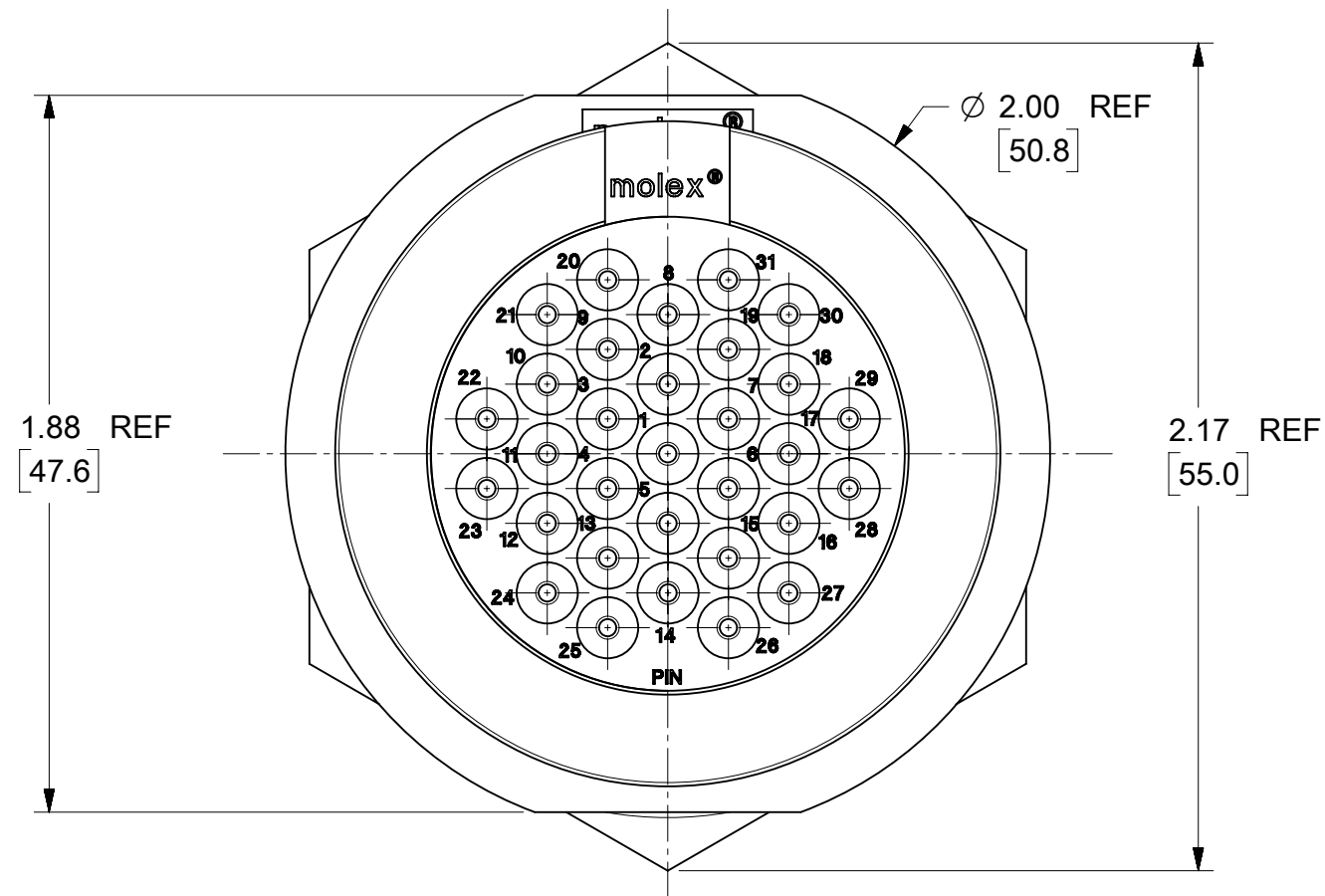
1. RECOMMENDED PANEL THICKNESS .062[1.58] TO .187[4.75].
2. USE CONNECTOR WITH MALE CRIMP TERMINAL SERIES 84524.
3. MATES WITH PLUG CONNECTOR SERIES 84510.
4. HEX NUT SOLD SEPARATELY, MOLEX MATERIAL NUMBER 84506-0012.
5. ASSEMBLY IS ROHS COMPLIANT.
6. PACKAGED PER PK-84501-001.

QUALITY SYMBOLS	THIS DRAWING CONTAINS INFORMATION THAT IS PROPRIETARY TO MOLEX ELECTRONIC TECHNOLOGIES, LLC AND SHOULD NOT BE USED WITHOUT WRITTEN PERMISSION			
	GENERAL TOLERANCES (UNLESS SPECIFIED)		DIMENSION UNITS	SCALE
$\nabla = 0$	MM INCH		IN[MM]	2:1
$\nabla = 0$	4 PLACES \pm \pm		DRWN BY	DATE
$\nabla = 0$	3 PLACES \pm \pm		JPAWLICKI	2006/6/5
$\nabla = 0$	2 PLACES \pm ± 0.015		CHK'D BY	DATE
$\nabla = 0$	1 PLACES ± 0.38 \pm		JPAWLICKI	2006/6/6
$\nabla = 0$	0 PLACES \pm \pm		APPR BY	DATE
$\nabla = 0$	ANGULAR TOL = 2.0°		RDEROSS	2006/6/7
$\nabla = 0$	DRAFT WHERE APPLICABLE MUST REMAIN WITHIN DIMENSIONS		DRAWING SIZE	THIRD ANGLE PROJECTION
$\nabla = 0$	C		C	
CAD MIGRATION		SERIES MATERIAL NUMBER CUSTOMER		
EC NO: 122085		84511 845110004 GENERAL MARKET		
DRWN: CRAODOREMS		DOCUMENT NUMBER DOC TYPE DOC PART SHEET NUMBER		
CHKD: SMCGRVEY		SD-84511-002 PSD 001 1 OF 2		
REV / APPR: JDWALLACE				

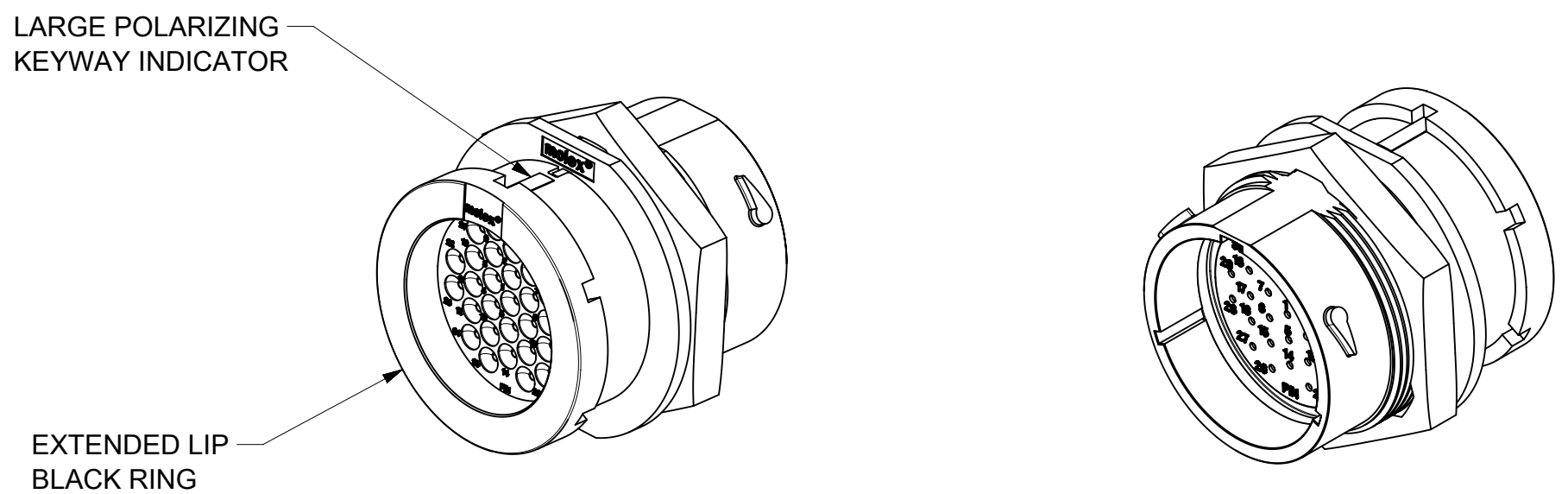
MATERIAL NUMBER	WIRE AWG	INSULATION DIA O.D.	RING
845110005	18 - 14	.053 - .134 [1.35 - 3.40]	EXT. LIP, BLACK



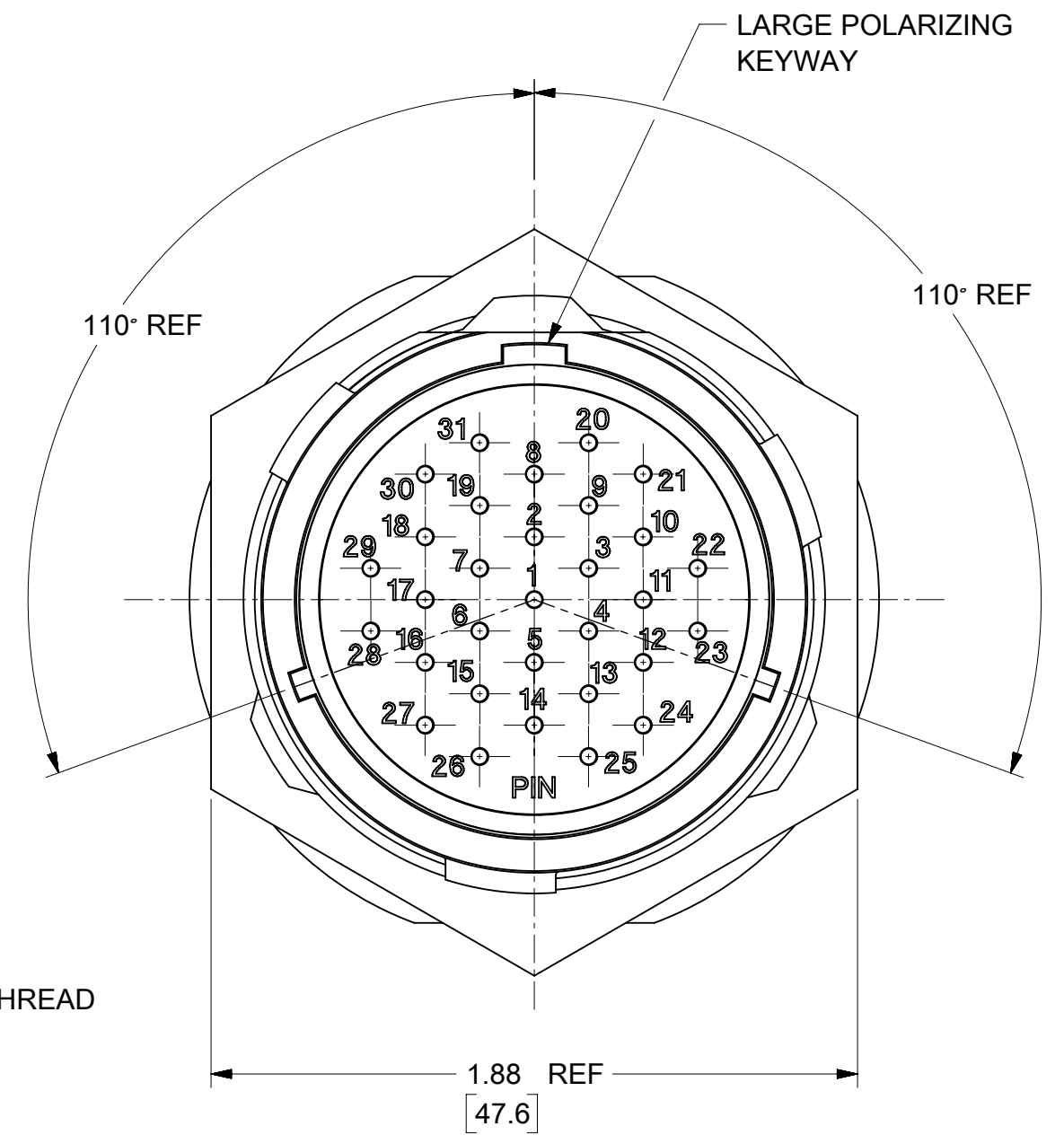
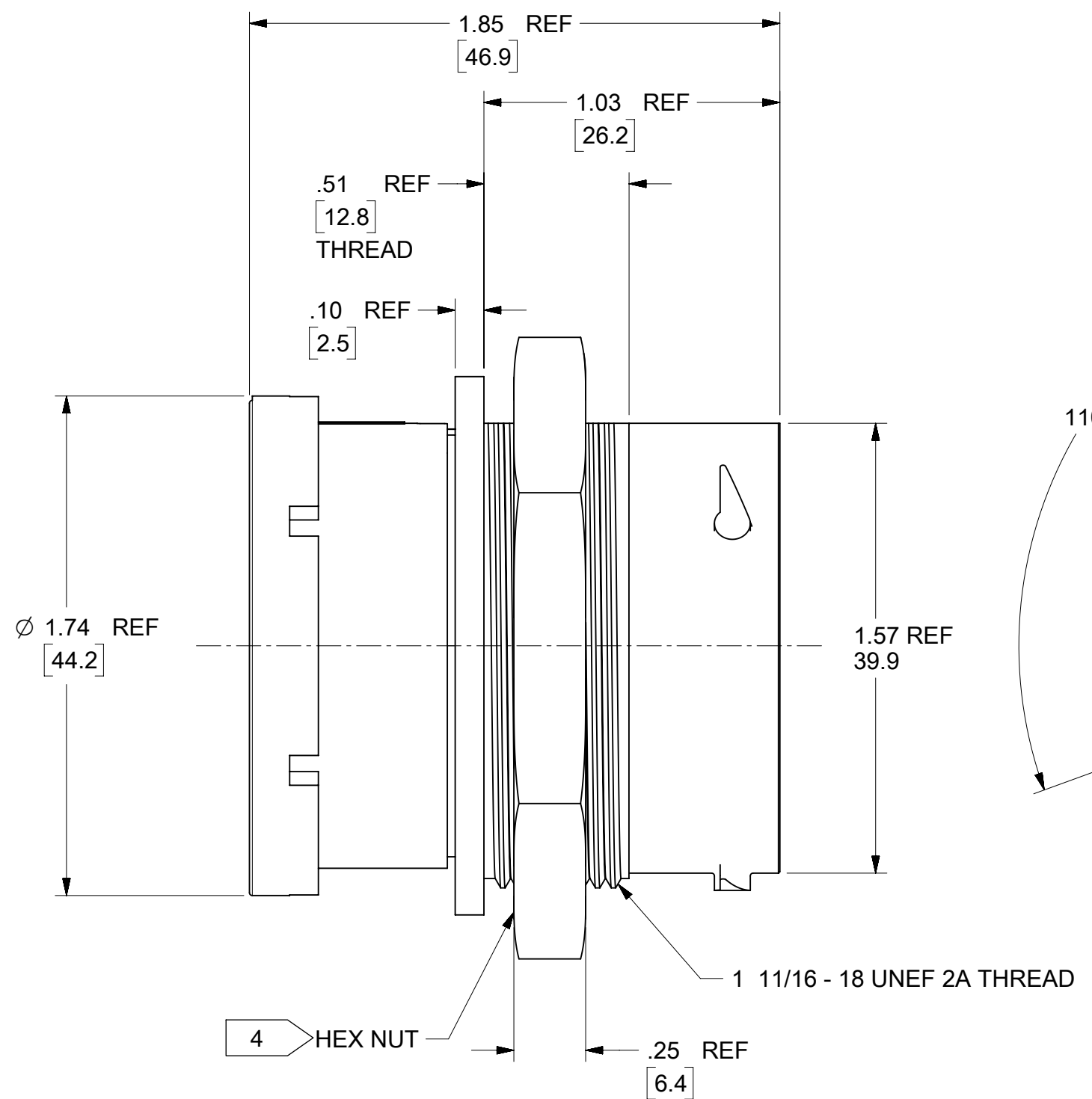
RECOMMENDED MOUNTING HOLE



WIRE ENTRY VIEW



SCALE 1:1



- NOTES:
1. RECOMMENDED PANEL THICKNESS .062[1.58] TO .187[4.76].
 2. USE CONNECTOR WITH MALE CRIMP TERMINAL SERIES 84524.
 3. MATES WITH PLUG CONNECTOR SERIES 84510.
 4. HEX NUT SOLD SEPARATELY, MOLEX MATERIAL NUMBER 84506-0012.
 5. USE CONNECTOR WITH STRAIN RELIEF BACKSHELL, MOLEX MATERIAL NO. 84537-0003.
 6. ASSEMBLY IS ROHS COMPLIANT.
 7. PACKAGED PER PK-84501-001.

QUALITY SYMBOLS ▽ = 0 ▽ = 0 ▽ = 0 ▽ = 0 ▽ = 0 ▽ = 0 ▽ = 0 ▽ = 0 ▽ = 0 ▽ = 0	THIS DRAWING CONTAINS INFORMATION THAT IS PROPRIETARY TO MOLEX ELECTRONIC TECHNOLOGIES, LLC AND SHOULD NOT BE USED WITHOUT WRITTEN PERMISSION				DIMENSION UNITS		SCALE				
	GENERAL TOLERANCES (UNLESS SPECIFIED)		IN[MM]		2:1		RECPT. CONNECTOR ASSEMBLY, 24-31 POS PIN TERMINALS				
	4 PLACES ±		MM		INCH					DRWN BY: JPAWLICKI DATE: 2006/6/5 CHK'D BY: JPAWLICKI DATE: 2006/6/6	
	3 PLACES ±		±		±		APPR BY: RDEROSS DATE: 2006/6/7				
	2 PLACES ±		±		± 0.015					DRAWING SIZE: C THIRD ANGLE PROJECTION	
	1 PLACES ±		±		± 0.38		PRODUCT CUSTOMER DRAWING SERIES: 84511 MATERIAL NUMBER: 845110005 CUSTOMER: GENERAL MARKET				
	0 PLACES ±		±		±					DOCUMENT NUMBER: SD-84511-002 DOC TYPE: PSD DOC PART: 001 SHEET NUMBER: 2 OF 2	
	ANGULAR TOL = 2.0°		DRAFT WHERE APPLICABLE MUST REMAIN WITHIN DIMENSIONS		C						
	CAD MIGRATION		EC NO: 122085		DRWN: CRAODOREMS		2017/09/08				
			CHKD: SMCGRVEEY		2017/10/03		2017/10/03				
		REV / APPR: JDWALLACE		2017/10/03							