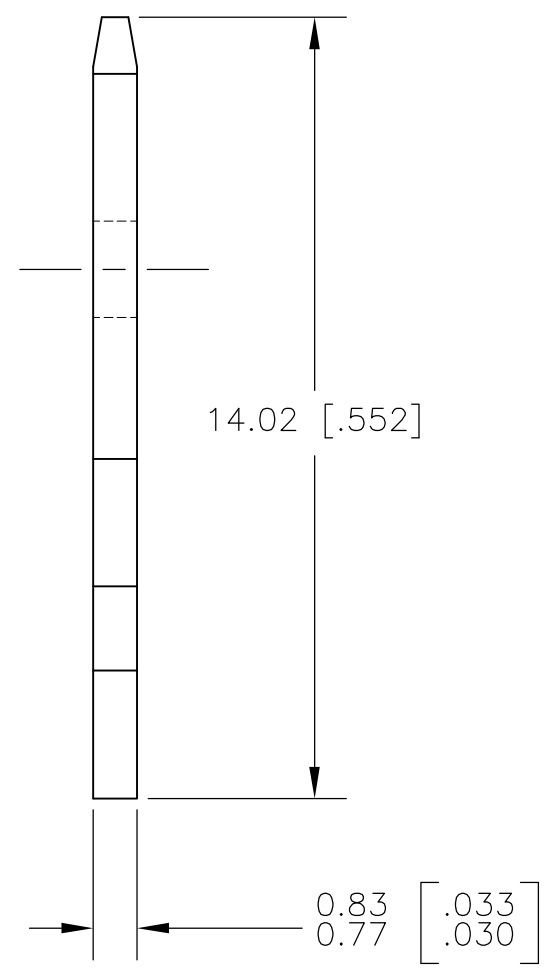
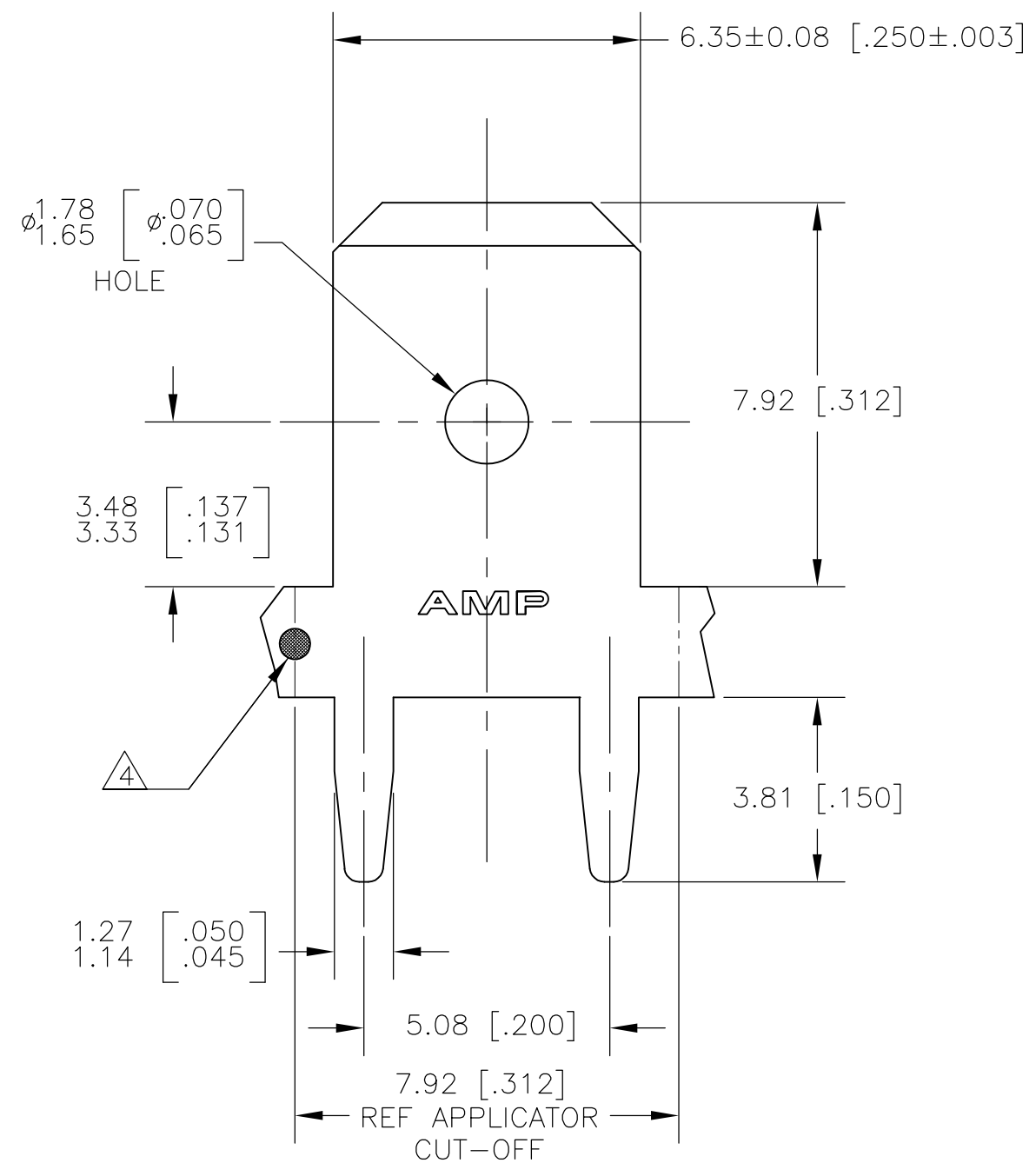
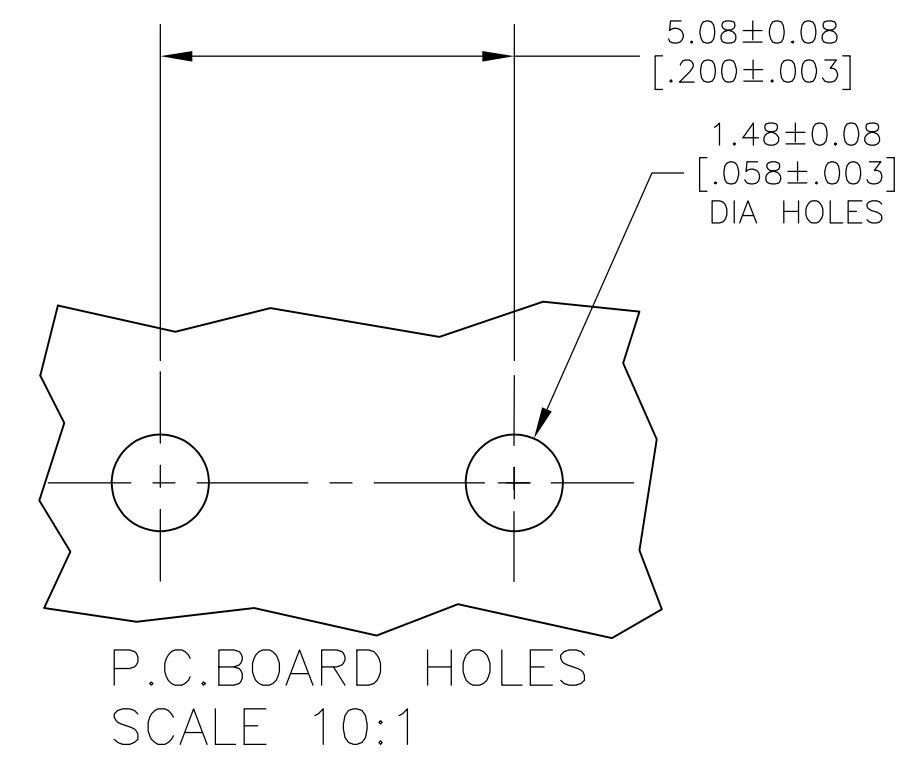


LOC	DIST	REVISIONS					
AF	50	P	LTR	DESCRIPTION	DATE	DWN	APVD
		H		REVISED PER ECR-13-001204	29JUN13	KH	PD



- 1 CONTINUOUS STRIP ON REELS.
- 2 TIN PLATE 0.00381 [.000150] MIN OVER 0.00254 [.000100] MIN THK COPPER OR TIN PLATE 0.00381 [.000150] MIN OVER 0.00127 [.000050] MIN THK NICKEL.
- 3 FEED IS 7.92±0.076 [.312±.003]
- 4 OPTIONAL ID MARK, LOCATED APPROX AS SHOWN.



REVERSE REELED	1217566-2
STANDARD	1217566-1
REELING	PART NUMBER

THIS DRAWING IS A CONTROLLED DOCUMENT.		DWN	JR RUTH	11JAN01	TE Connectivity NAME TAB, FASTON, PC BOARD, 6.35 [.250] SERIES			
DIMENSIONS:		CHK	MS FEHER	11JAN01				
mm [INCHES]		APVD	N DEIBERT	11JAN01				
		PRODUCT SPEC	-	-				
TOLERANCES UNLESS OTHERWISE SPECIFIED:		APPLICATION SPEC	114-2115		SIZE	CAGE CODE	DRAWING NO	RESTRICTED TO
0 PLC ± -		WEIGHT	-		A3	00779	C-1217566	-
1 PLC ± -		CUSTOMER DRAWING		SCALE	8:1	SHEET	1 OF 1	REV
2 PLC ± 0.25 [.010]								H
3 PLC ± -								
4 PLC ± -								
ANGLES ± -								
MATERIAL		FINISH		2				
BRASS		TIN OVER COPPER						

Mouser Electronics

Authorized Distributor

Click to View Pricing, Inventory, Delivery & Lifecycle Information:

[TE Connectivity:](#)

[1217566-1](#)