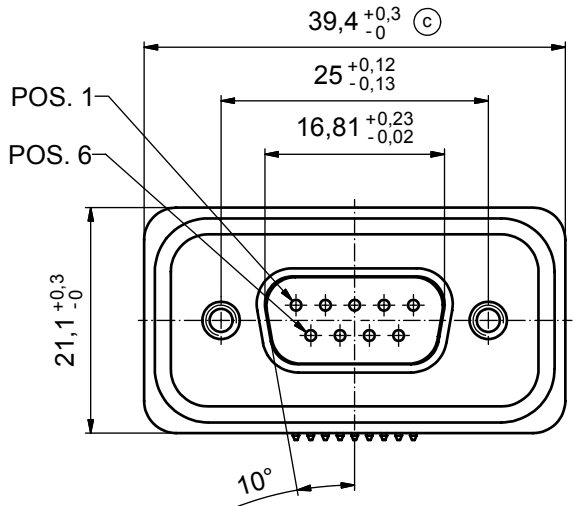
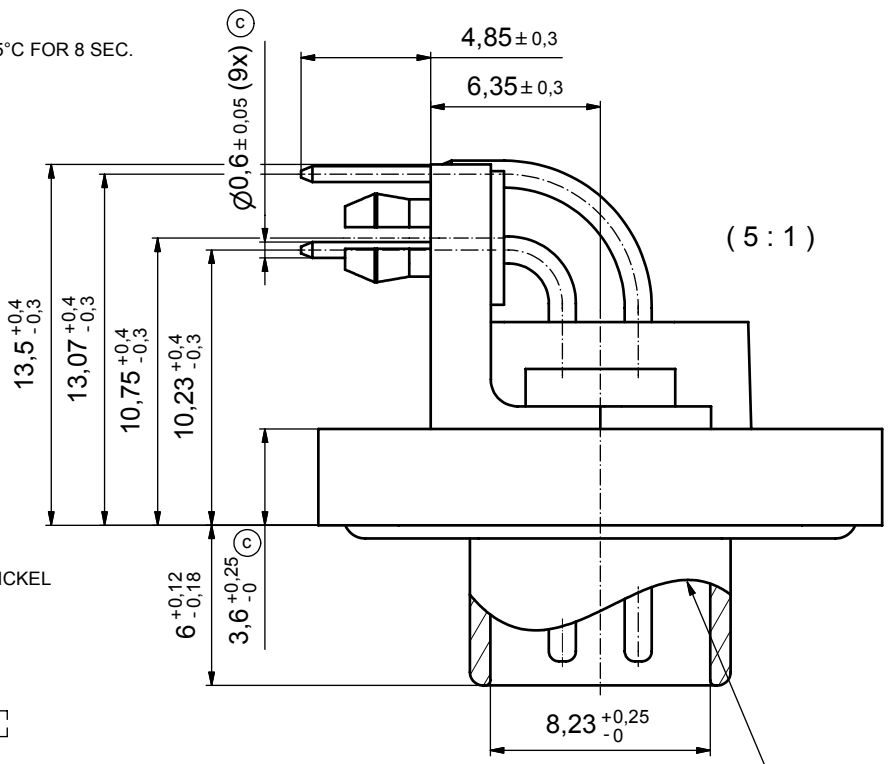
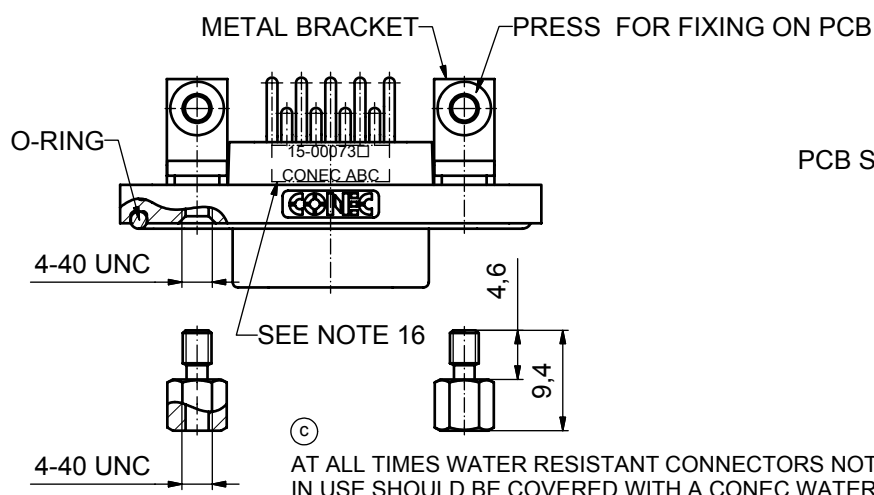
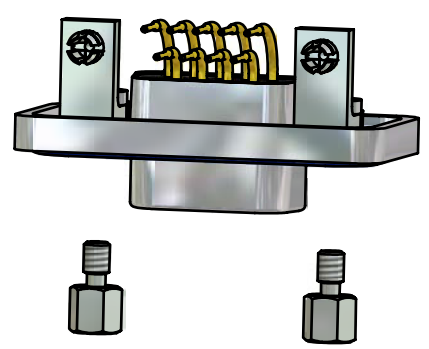


NOTES:

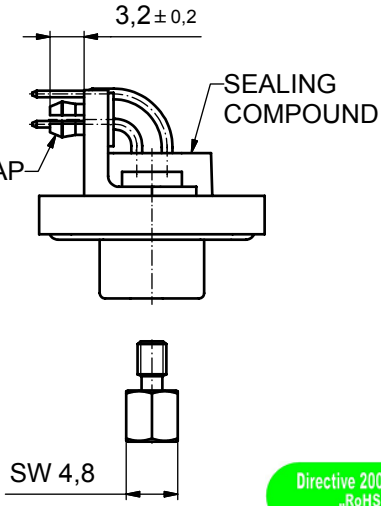
1. FOR WAVESOLDERING (SOLDER BATH TEMPERATURE 265°C FOR 8 SEC. AND SOLDER PREHEAT 150°C FOR 180 SEC.)
2. IP RATING: IP 67
3. SEALED TO WITHSTAND PRESSURE UP TO 1,45 PSI FOR 30 MINUTES AFTER HIGH TEMPERATURE EXPOSURE
4. METALSHELL:
 - ZINC DIE CAST; min. 50µin NICKEL PLATING over COPPER
5. INSULATORS: PBT GF UL 94 V-0, BLACK
6. O-RING: SILICONE PER ASTM D2000 70 SHORE A
7. RUBBER GASKET: TPE
8. SEALING COMPOUND: EPOXY RESIN UL 94 V-0; BLACK
9. CONTACTS: COPPER ALLOY PLATING (SEE PART NO):
 - PLEASE ADD 1 for 30µin HARD GOLD over min. 50µin NICKEL
 - PLEASE ADD 3 for 8µin HARD GOLD over min. 50µin NICKEL
10. METAL BRACKETS: ZINC DIE CAST; 300µin COPPER/40-120µin NICKEL/120-200µin TIN
11. WASHERS: COPPER ALLOY; 80µin NICKEL
12. HEXLOCKING SCREWS: STAINLESS STEEL
13. PCB-SNAPS: COPPER ALLOY; min. 200µin TIN over 80µin NICKEL PCB-HOLE: $\varnothing 3.1 \pm 0.1$; PCB THICKNESS 1.6mm
14. P.C.B. HOLE DRILLINGS and RECOMMENDED PANEL CUT-OUT ON SHEET 2
15. RECOMMENDED TORQUE FOR MOUNTING SCREW 35Ncm (3.1 in.LB) / max.67Ncm (6 in.LB)
16. CONNECTOR IS PART MARKED: 15-00073 CONEC ABC



RUBBER GASKET PLACED ON TOP SURFACE OF MALE INSULATOR



AT ALL TIMES WATER RESISTANT CONNECTORS NOT IN USE SHOULD BE COVERED WITH A CONEC WATER RESISTANT CAP OR WATER TIGHT HOOD.



Directive 2002/95/EC „RoHS“ Compliant

APPROVAL # FREIGABE # DEBLOCAGE # AUTORIZACION # APPROVAL
CUSTOMER APPROVAL DATE:
NAME: TITLE:
COMPANY NAME:
APPROVAL # FREIGABE # DEBLOCAGE # AUTORIZACION # APPROVAL

THIS DRAWING MAY NOT BE COPIED OR REPRODUCED IN ANY WAY, AND MAY NOT BE PASSED ON TO A THIRD PARTY WITHOUT WRITTEN PERMISSION. OWNERSHIP AND COPYRIGHT OF CONEC GmbH				tolerance		dim. in mm		scale: 2:1 (5:1)	
DO NOT ALTER CAD DRAWING BY HAND				date		name		material: see notes	
				drawn 17.10.08		Schmidt		title: D-SUB MALE 90° 9pos. SOLDER PIN ANGLED with metal bracket, hexlocking screw and snap	
				appd. 23.10.08		Fischer			
				norm		d-old			
				4 x c A 3435 02.10.09 HS				dwg no: Inventor 10 DIN-A3	
				a Origin				sh: 1	
				rev. description date name		CONEC®		part no: 15K1A282	
								part no: 15-00073 (see note 9)	

scale: 2:1 (5:1)	
material: see notes	
title: D-SUB MALE 90° 9pos. SOLDER PIN ANGLED with metal bracket, hexlocking screw and snap	
dwg no: Inventor 10	DIN-A3
sh: 1	
part no: 15K1A282	
part no: 15-00073 (see note 9)	

Mouser Electronics

Authorized Distributor

Click to View Pricing, Inventory, Delivery & Lifecycle Information:

[CONEC:](#)

[15-000733](#)