

## Ferrule - AI 1,5 - 8 BK - 3200043

Please be informed that the data shown in this PDF Document is generated from our Online Catalog. Please find the complete data in the user's documentation. Our General Terms of Use for Downloads are valid (<http://phoenixcontact.com/download>)



Ferrule, Sleeve length: 8 mm, Length: 14 mm, Color: black


The figure shows the version AI 1,5-10

### Product Features

- The AI 0,25.. ferrules can also be used to process 0.14 mm<sup>2</sup> conductors
- The ferrules with plastic sleeve are made from soft tin-plated electrolytic copper
- The insulation reliability of close connections is increased and the splicing of wires is prevented



### Key Commercial Data

Packing unit	1 pc
Minimum order quantity	100 pc
GTIN	 4 017918 093693
Weight per Piece (excluding packing)	0.12 g
Custom tariff number	85369010
Country of origin	Germany

### Technical data

#### Dimensions

Length (b)	14 mm
Maximum stripping length	11 mm
Sleeve length	8 mm
Inner dimension of the insulating collar (d)	3.4 mm
Ferrule diameter	1.8 mm
Insulating collar thickness	0.3 mm

# Ferrule - AI 1,5 - 8 BK - 3200043

## Technical data

### Dimensions

Sleeve wall thickness	0.15 mm
-----------------------	---------

### Ambient conditions

Short-term temperature	120 °C
Max. permanent temperature	105 °C

### General

Color	black
Components	free from silicone and halogen
Flammability rating according to UL 94	HB
Material	E-CU
Coating	tin-plated (galvanic)

### Standards and Regulations

Connection in acc. with standard	CSA
Flammability rating according to UL 94	HB

## Classifications

### eCl@ss

eCl@ss 4.0	27060701
eCl@ss 4.1	27060701
eCl@ss 5.0	27400201
eCl@ss 5.1	27400201
eCl@ss 6.0	27400201
eCl@ss 7.0	27400201
eCl@ss 8.0	27400201

### ETIM

ETIM 2.0	EC000005
ETIM 3.0	EC000005
ETIM 4.0	EC000005
ETIM 5.0	EC000005

### UNSPSC

UNSPSC 6.01	30212109
UNSPSC 7.0901	27121703
UNSPSC 11	27121703
UNSPSC 12.01	27121703

# Ferrule - AI 1,5 - 8 BK - 3200043

## Classifications

### UNSPSC

UNSPSC 13.2	27121703
-------------	----------

## Approvals

### Approvals

---

#### Approvals

CSA / CSAus / EAC / EAC / cCSAus

---


#### Ex Approvals

---

#### Approvals submitted

---

## Approval details

CSA 
---

CSAus
-------

EAC
-----

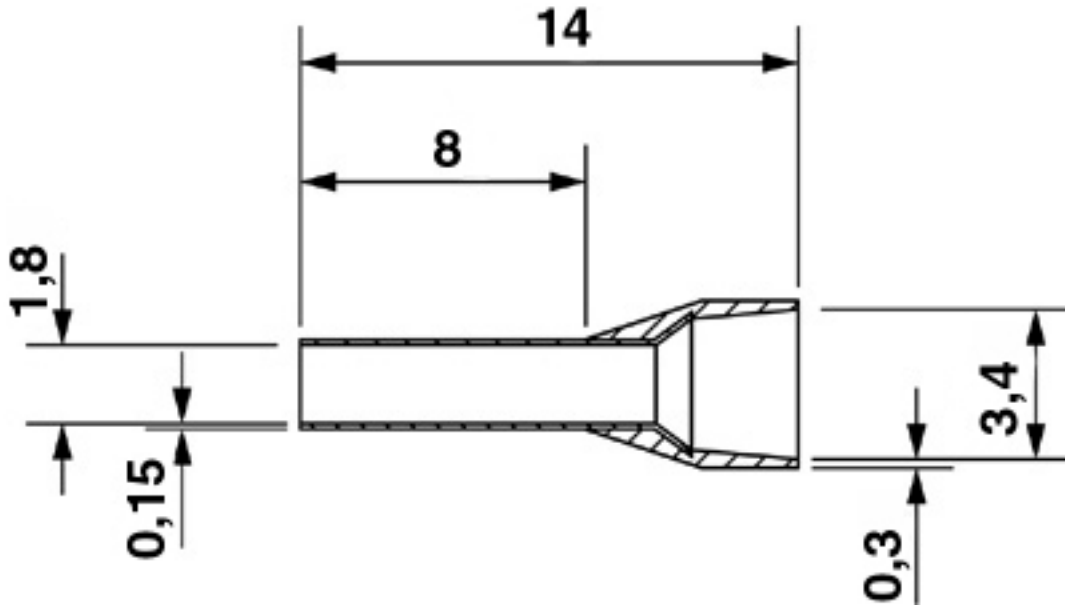
EAC
-----

cCSAus
--------

## Drawings

# Ferrule - Al 1,5 - 8 BK - 3200043

Dimensional drawing



# Mouser Electronics

Authorized Distributor

Click to View Pricing, Inventory, Delivery & Lifecycle Information:

[Phoenix Contact:](#)

[3200043](#)