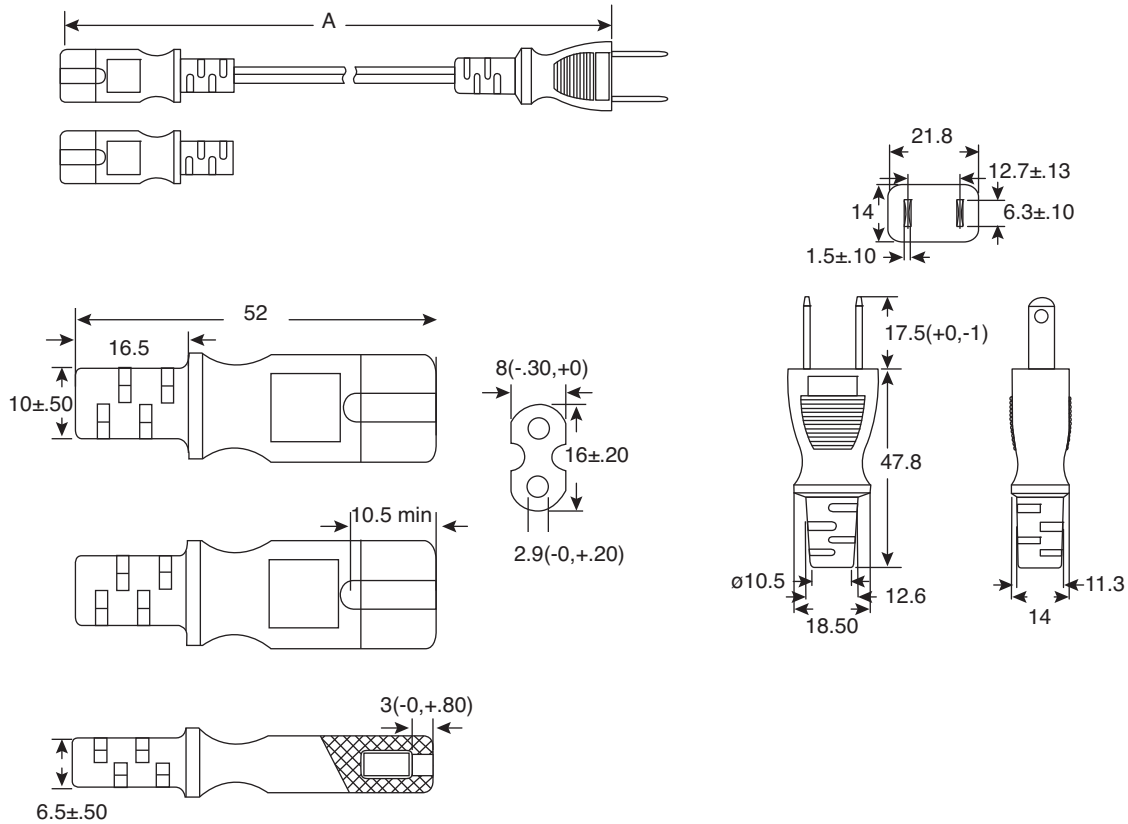


AC Power Cord

173-21106-E, 173-21110-E



AC Power Cord



Dimensions: mm

SPECIFICATIONS	
Type:	Power Supply
Plug Rating:	7A/125V
Connector Rating:	2.5/250V
Cable:	.VFF, 2 Conductors x .75mm ² 24/0.2
Length (Dimension A):	173-21106-E: 6'; 173-21110-E: 10'
Color:	Black
RoHS Compliant	

173-21106-E, 173-21110-E

Date Last Revised: 8/9/10

Available from Mouser Electronics
1-800-346-6873 / www.mouser.com

KC-301386

Specifications are subject to change without notice. No liability or warranty implied by this information. Environmental compliance based on producer documentation.

Mouser Electronics

Authorized Distributor

Click to View Pricing, Inventory, Delivery & Lifecycle Information:

[Kobiconn:](#)

[173-21106-E](#) [173-21110-E](#)