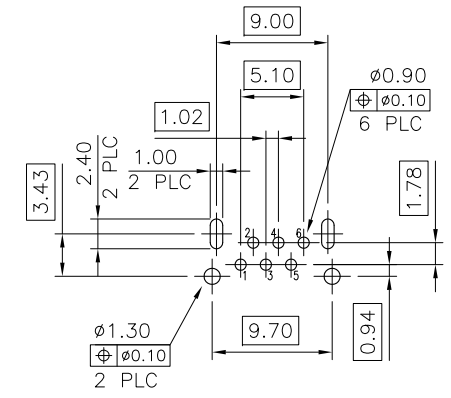
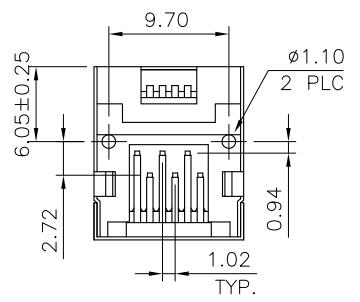
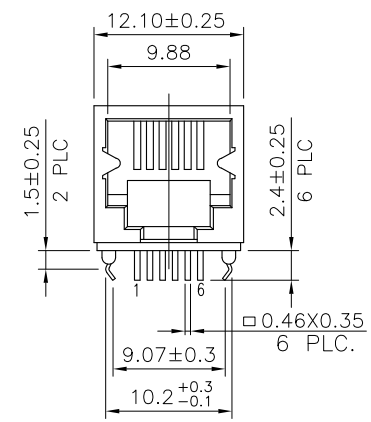
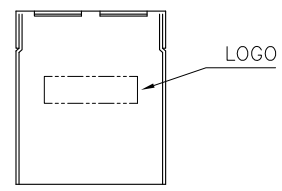
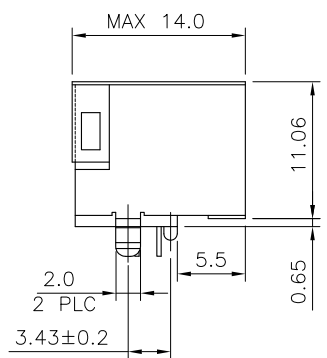
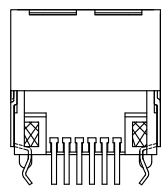


THIS DRAWING IS UNPUBLISHED. RELEASED FOR PUBLICATION
 © COPYRIGHT BY TYCO ELECTRONICS CORPORATION. ALL RIGHTS RESERVED.

LOC		DIST		REVISIONS					
DW		-		P	LTR	DESCRIPTION	DATE	DWN	APVD
				A2		ECR-12-012115	26OCT12	EL	WK



RECOMMENDED PCB LAYOUT (THICKNESS: 1.6mm)
 DIMENSION TOLERANCE: 1 PLC: ±0.1 2PLC: ±0.05

NOTE:

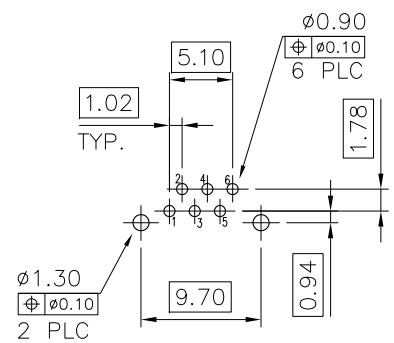
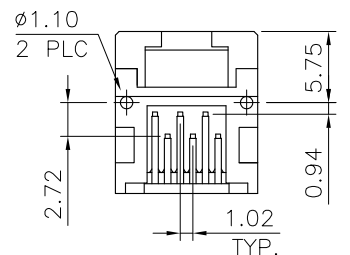
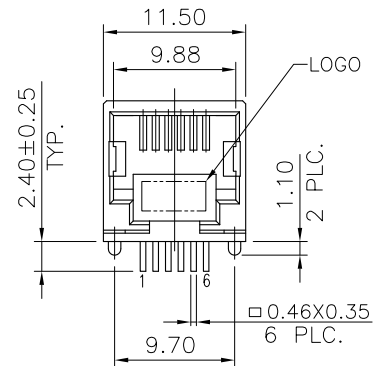
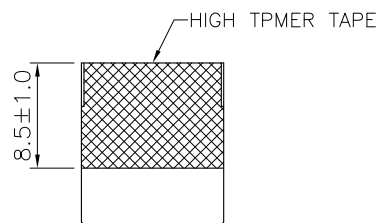
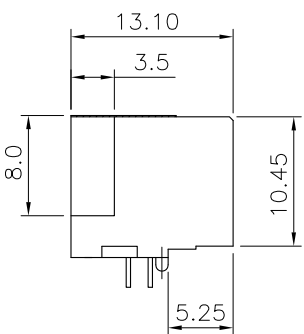
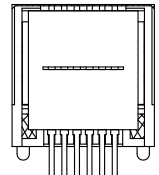
- MATERIAL:
HOUSING: PA46 WITH 30% GF, UL94 V-0, BLACK COLOR.
CONTACTS: PHOSPHOR BRONZE.
SHIELD: BRASS.
 - FINISH:
CONTACTS: (SEE TABLE) GOLD PLATED ON CONTACT AREA, GOLD FLASH ON SOLDER TAIL, WITH ENTIRE CONTACT UNDERPLATED 1.27µm [50µ"] MIN. NICKEL.
SHIELD: 0.51µm [20µ"] MIN. NICKEL PLATED.
 - WAVE SOLDER CAPABLE TO 265°C PER 109-202, CONDITION B.
- ⚠️ OBSOLETE PARTS: OBSOLETE CIS STREAMLINING PER D.RENAUD/D.SINISI

OBSOLETE	6P2C	REEL	1.27µm [50µ"]	2-1734723-8
			0.762µm [30µ"]	2-1734723-7
			0.381µm [15µ"]	2-1734723-6
			0.152µm [6µ"]	2-1734723-5
OBSOLETE	6P2C	TRAY	1.27µm [50µ"]	2-1734723-4
			0.762µm [30µ"]	2-1734723-3
			0.381µm [15µ"]	2-1734723-2
OBSOLETE	6P6C	REEL	1.27µm [50µ"]	-1734723-8
			0.762µm [30µ"]	-1734723-7
		TRAY	0.381µm [15µ"]	1734723-6
			0.152µm [6µ"]	-1734723-5
OBSOLETE	6P6C	TRAY	1.27µm [50µ"]	-1734723-4
			0.762µm [30µ"]	-1734723-3
			0.381µm [15µ"]	-1734723-2
	RJ11	PACKAGE	MIN. GOLD THICKNESS	PART NUMBER

THIS DRAWING IS A CONTROLLED DOCUMENT.		DWN	A. WU	10MAR2008	 TE Connectivity	MODULAR JACK, RJ11, SINGLE, DIP TYPE						
DIMENSIONS: MM		CHK	S. HOU	10MAR2008								
TOLERANCES UNLESS OTHERWISE SPECIFIED:		APVD	W. KODAMA	10MAR2008								
0 PLC ± 0.50 1 PLC ± 0.30 2 PLC ± 0.20 3 PLC ± 0.10 4 PLC ± 0.10 ANGLES ± - ± -		PRODUCT SPEC	108-57527									
MATERIAL	SEE NOTE	FINISH	SEE NOTE	APPLICATION SPEC	SIZE	A3	CAGE CODE	-	DRAWING NO	©=1734723	RESTRICTED TO	-
CUSTOMER DRAWING		WEIGHT	3 GRAMS		SCALE	-	SHEET	1 OF 5		REV	A2	

THIS DRAWING IS UNPUBLISHED. RELEASED FOR PUBLICATION
 © COPYRIGHT BY TYCO ELECTRONICS CORPORATION. ALL RIGHTS RESERVED.

LOC	DIST	REVISIONS					
DW	-	P	LTR	DESCRIPTION	DATE	DWN	APVD
				SEE SHEET 1.			



RECOMMENDED PCB LAYOUT (THICKNESS: 1.6mm)
 DIMENSION TOLERANCE: 1 PLC: ±0.1 2PLC: ±0.05

NOTE:

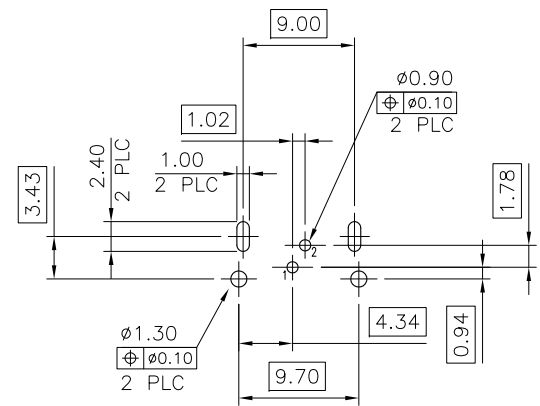
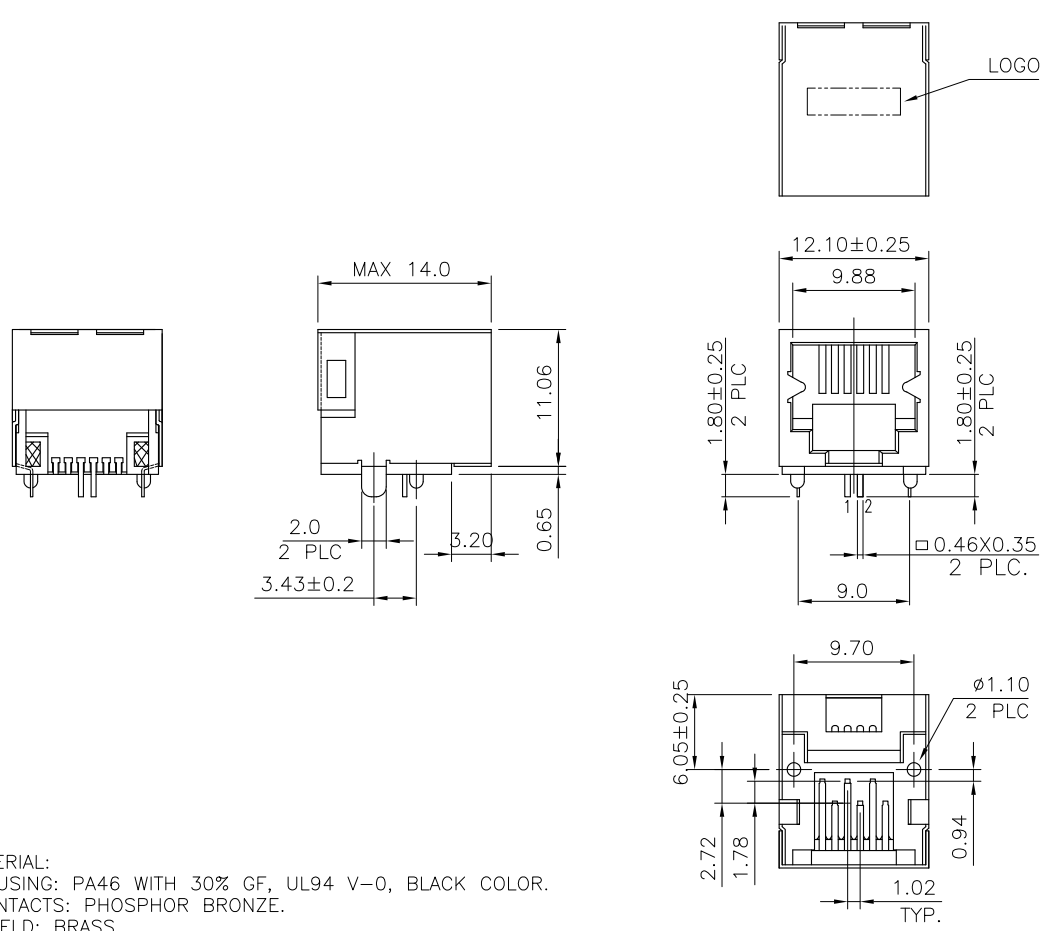
- MATERIAL:
HOUSING: PA46 WITH 30% GF, UL94 V-0, BLACK COLOR.
CONTACTS: PHOSPHOR BRONZE.
SHIELD: BRASS.
 - FINISH:
CONTACTS: (SEE TABLE) GOLD PLATED ON CONTACT AREA, GOLD FLASH ON SOLDER TAIL, WITH ENTIRE CONTACT UNDERPLATED 1.27µm [50µ"] MIN. NICKEL.
 - WAVE SOLDER CAPABLE TO 265°C PER 109-202, CONDITION B.
- ⚠️ OBSOLETE PARTS: OBSOLETE CIS STREAMLINING PER D.RENAUD/D.SINISI

OBSOLETE	6P6C	REEL	1.27µm [50µ"]	1-1734723-8
			0.762µm [30µ"]	1-1734723-7
0.381µm [15µ"]		1-1734723-6		
0.152µm [6µ"]		1-1734723-5		
OBSOLETE	TRAY	1.27µm [50µ"]	1-1734723-4	
		0.762µm [30µ"]	1-1734723-3	
		0.381µm [15µ"]	1-1734723-2	
			0.152µm [6µ"]	1-1734723-1
	RJ11	PACKAGE	MIN. GOLD THICKNESS	PART NUMBER

THIS DRAWING IS A CONTROLLED DOCUMENT.		DWN	A. WU	10MAR2008	 TE Connectivity	NAME MODULAR JACK, RJ11, SINGLE, DIP TYPE	
DIMENSIONS: MM		CHK	S. HOU	10MAR2008			
TOLERANCES UNLESS OTHERWISE SPECIFIED:		APVD	W. KODAMA	10MAR2008			
0 PLC ± 0.50 1 PLC ± 0.30 2 PLC ± 0.20 3 PLC ± 0.10 4 PLC ± - ± - ANGLES ± - ± -		PRODUCT SPEC	108-57527				
MATERIAL	SEE NOTE	FINISH	SEE NOTE	APPLICATION SPEC	SIZE	A3	
		WEIGHT	2.5 GRAMS		CAGE CODE	-	
		CUSTOMER DRAWING			DRAWING NO	C=1734723	
		SCALE	-		SHEET	2 of 5	
					REV	A2	

THIS DRAWING IS UNPUBLISHED. RELEASED FOR PUBLICATION
 © COPYRIGHT BY TYCO ELECTRONICS CORPORATION. ALL RIGHTS RESERVED.

LOC	DIST	REVISIONS					
DW	-	P	LTR	DESCRIPTION	DATE	DWN	APVD
				SEE SHEET 1.			



RECOMMENDED PCB LAYOUT (THICKNESS: 1.6mm)
 DIMENSION TOLERANCE: 1 PLC: ±0.1 2PLC: ±0.05

NOTE:

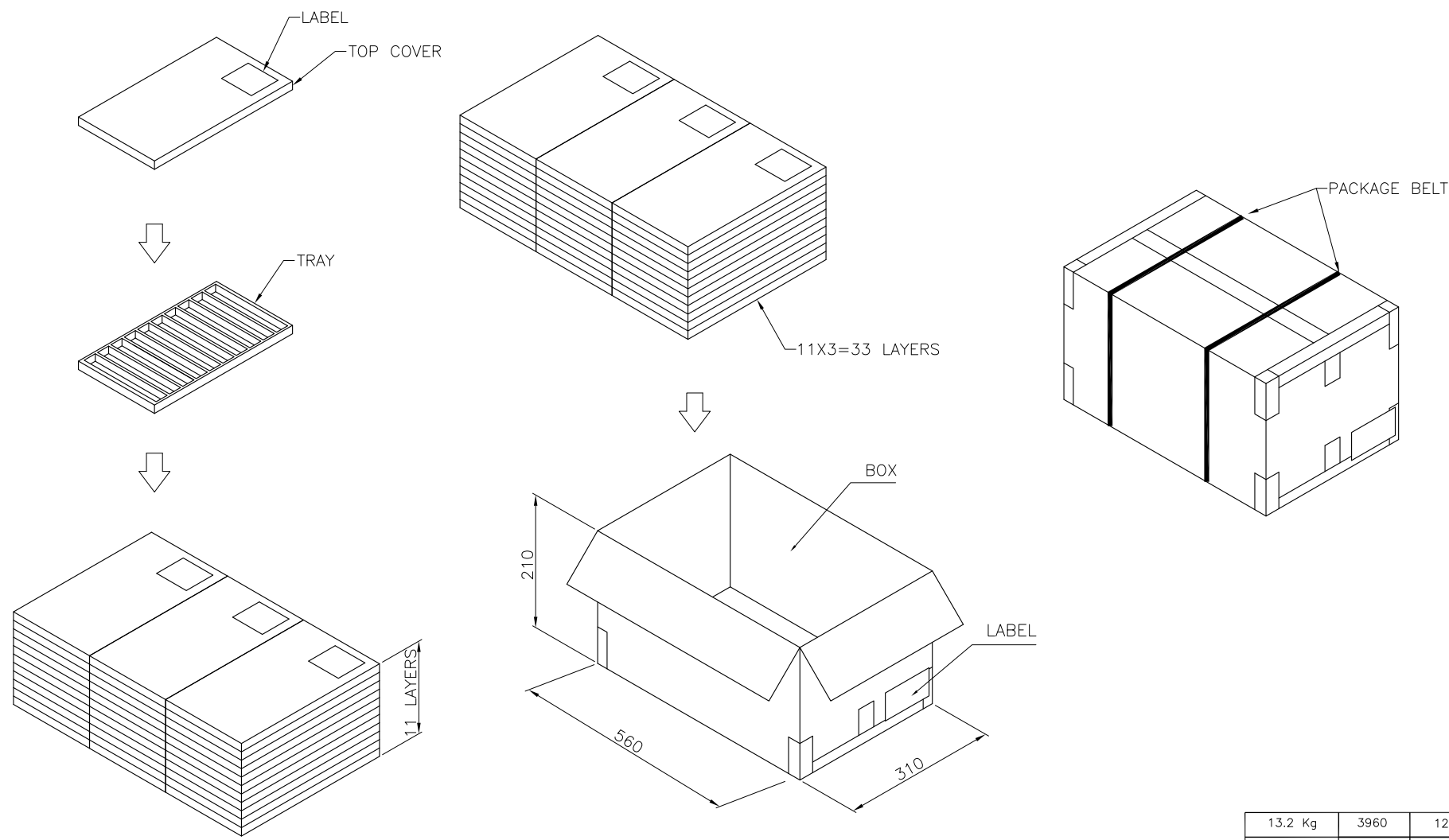
- MATERIAL:
HOUSING: PA46 WITH 30% GF, UL94 V-0, BLACK COLOR.
CONTACTS: PHOSPHOR BRONZE.
SHIELD: BRASS.
- FINISH:
CONTACTS: (SEE TABLE) GOLD PLATED ON CONTACT AREA, GOLD FLASH ON SOLDER TAIL, WITH ENTIRE CONTACT UNDERPLATED 1.27µm [50µ"] MIN. NICKEL.
SHIELD: 0.51µm [20µ"] MIN. NICKEL PLATED.
- WAVE SOLDER CAPABLE TO 265°C PER TE TEST SPEC. 109-202, CONDITION B.

OBSOLETE	6P2C	REEL	1.27µm [50µ"]	4-1734723-8
			0.762µm [30µ"]	4-1734723-7
			0.381µm [15µ"]	4-1734723-6
OBSOLETE	6P2C	TRAY	0.152µm [6µ"]	4-1734723-5
			1.27µm [50µ"]	4-1734723-4
			0.762µm [30µ"]	4-1734723-3
			0.381µm [15µ"]	4-1734723-2
			0.152µm [6µ"]	4-1734723-1
			MIN. GOLD THICKNESS	PART NUMBER


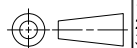
THIS DRAWING IS A CONTROLLED DOCUMENT.		DWN A. WU 10MAR2008	TE Connectivity MODULAR JACK, RJ11, SINGLE, DIP TYPE		
DIMENSIONS: MM		CHK S. HOU 10MAR2008			
TOLERANCES UNLESS OTHERWISE SPECIFIED:		APVD W. KODAMA 10MAR2008	NAME		
0 PLC ± 0.50 1 PLC ± 0.30 2 PLC ± 0.20 3 PLC ± 0.10 4 PLC ± - ± - ANGLES ± - ± -		PRODUCT SPEC 108-57527		SIZE	
MATERIAL SEE NOTE		APPLICATION SPEC		CAGE CODE	
FINISH SEE NOTE		WEIGHT 3 GRAMS		DRAWING NO C=1734723	
		CUSTOMER DRAWING		RESTRICTED TO	
		SCALE		SHEET 3 OF 5	
				REV A2	

THIS DRAWING IS UNPUBLISHED. RELEASED FOR PUBLICATION
 © COPYRIGHT BY TYCO ELECTRONICS CORPORATION. ALL RIGHTS RESERVED.

LOC	DIST	REVISIONS					
DW	-	P	LTR	DESCRIPTION	DATE	DWN	APVD
				SEE SHEET 1.			

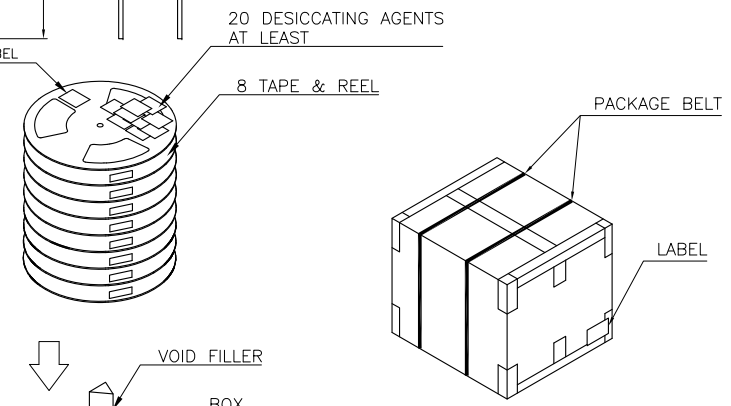
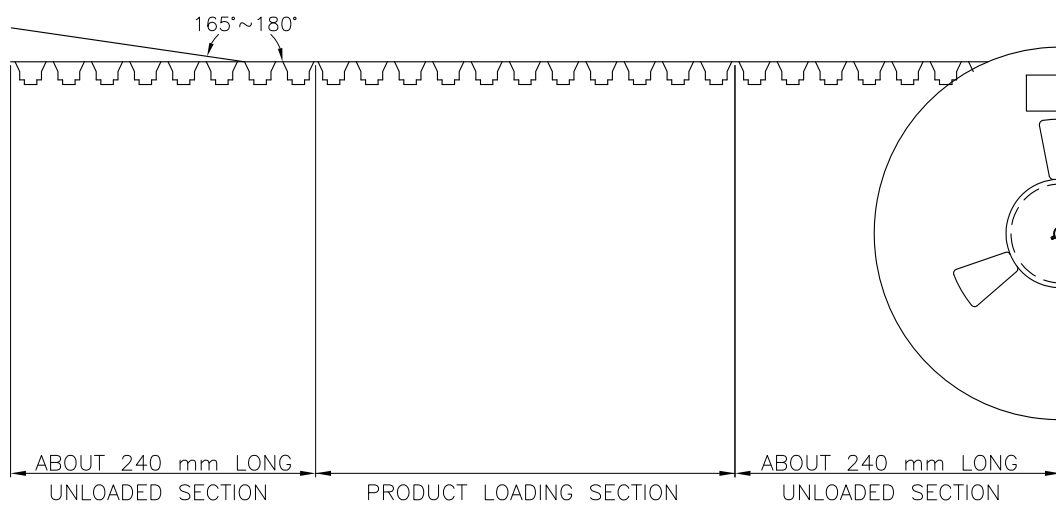


13.2 Kg	3960	120	1734723-1
GROSS WEIGHT	TOTAL	PCS/TRAY	PART NUMBER

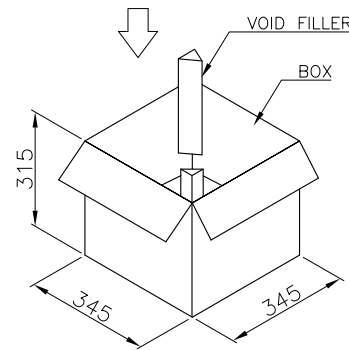
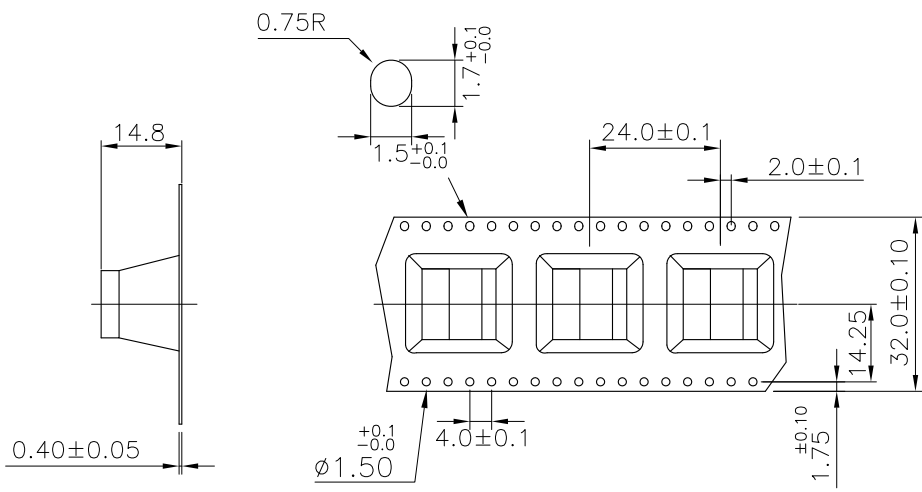
THIS DRAWING IS A CONTROLLED DOCUMENT.		DWN A. WU 10MAR2008	 TE Connectivity
DIMENSIONS: MM		CHK S. HOU 10MAR2008	
		APVD W. KODAMA 10MAR2008	
TOLERANCES UNLESS OTHERWISE SPECIFIED:		NAME	
0 PLC ± - 1 PLC ± - 2 PLC ± - 3 PLC ± - 4 PLC ± - ANGLES ± -		PRODUCT SPEC	MODULAR JACK, RJ11, SINGLE, DIP TYPE
MATERIAL		APPLICATION SPEC	
FINISH		WEIGHT	SIZE A3
		CUSTOMER DRAWING	CAGE CODE -
			DRAWING NO ©=1734723
			RESTRICTED TO -
			SCALE -
			SHEET 4 of 5
			REV A2

THIS DRAWING IS UNPUBLISHED. RELEASED FOR PUBLICATION
 © COPYRIGHT BY TYCO ELECTRONICS CORPORATION. ALL RIGHTS RESERVED.

LOC DW	DIST -	REVISIONS			
P	LTR	DESCRIPTION	DATE	DWN	APVD
		SEE SHEET 1.			



200	8	1600	7	5
PCS/TAPE	REELS/BOX	QUANTITY (PCS)	G/W (Kg)	N/W (Kg)



THIS DRAWING IS A CONTROLLED DOCUMENT.		DWN A. WU	10MAR2008	 TE Connectivity	NAME MODULAR JACK, RJ11, SINGLE, DIP TYPE		
DIMENSIONS: MM		CHK S. HOU	10MAR2008				
TOLERANCES UNLESS OTHERWISE SPECIFIED:		APVD W. KODAMA	10MAR2008				
0 PLC ± - 1 PLC ± - 2 PLC ± - 3 PLC ± - 4 PLC ± - ANGLES ± -		PRODUCT SPEC -	APPLICATION SPEC -				
MATERIAL	FINISH	WEIGHT	-	SIZE A3	CAGE CODE -	DRAWING NO C=1734723	RESTRICTED TO -
CUSTOMER DRAWING				SCALE -	SHEET 5 of 5	REV A2	

Mouser Electronics

Authorized Distributor

Click to View Pricing, Inventory, Delivery & Lifecycle Information:

[TE Connectivity:](#)

[1-1734723-5](#)