

4

3

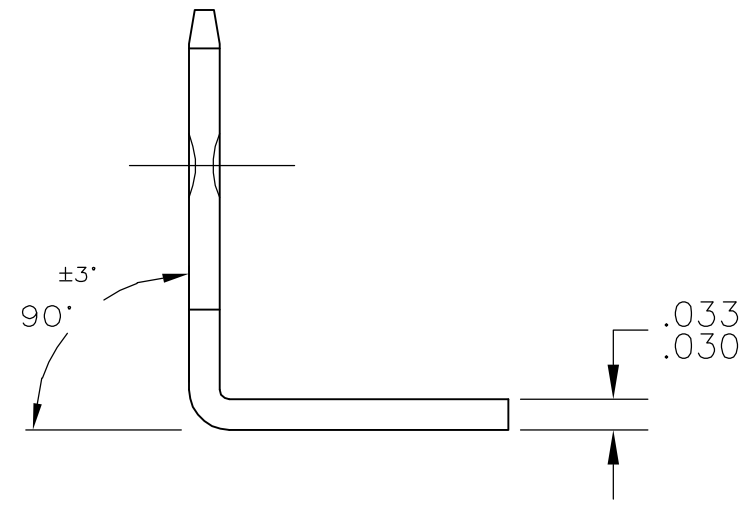
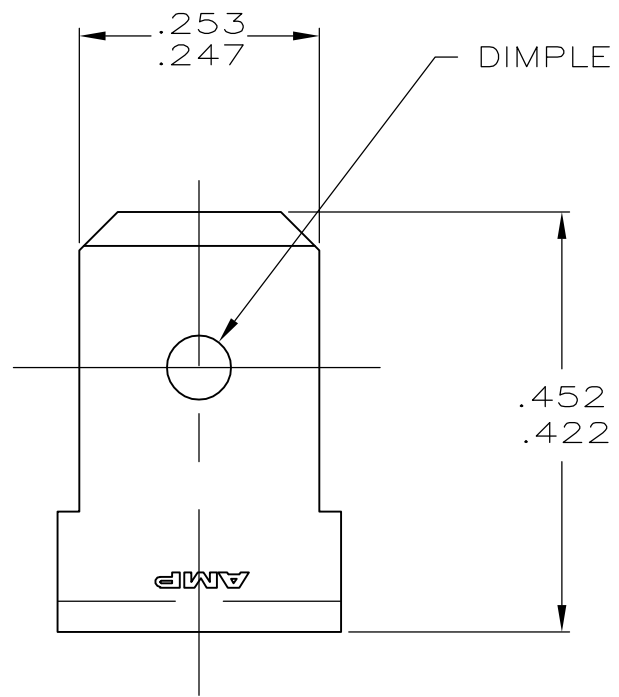
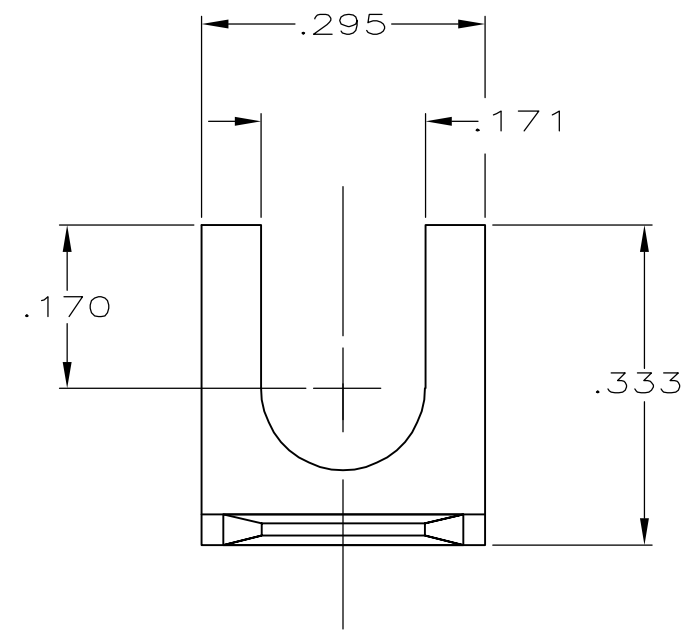
2

1

THIS DRAWING IS UNPUBLISHED. RELEASED FOR PUBLICATION  
 © COPYRIGHT - BY TYCO ELECTRONICS CORPORATION. ALL RIGHTS RESERVED.

LOC	DIST	REVISIONS			
P	LTR	DESCRIPTION	DATE	DWN	APVD
AF	50	J	REV PER ECR-05-017287	10APR06	HMR JR

1 SUPPLIED IN LOOSE PIECE.



62166-1  
PART NO.

THIS DRAWING IS A CONTROLLED DOCUMENT.		DWN	JR RUTH	5/13/98	 Tyco Electronics Corporation Harrisburg, PA 17105-3608
DIMENSIONS: INCHES		CHK	MS FEHER	5/13/98	
		APVD	J WORMAN	5/13/98	
TOLERANCES UNLESS OTHERWISE SPECIFIED:		PRODUCT SPEC		NAME	
0 PLC ± -		-		TAB, FASTON, .250 SERIES	
1 PLC ± -		APPLICATION SPEC		-	
2 PLC ± -		-		SIZE	A3
3 PLC ± .015		-		CAGE CODE	00779
4 PLC ± -		-		DRAWING NO	C-62166
ANGLES ± -		-		RESTRICTED TO	-
FINISH		WEIGHT		-	
MATERIAL		CUSTOMER DRAWING		SCALE	5:1
082 BRASS		-		SHEET	1 OF 1
				REV	J

# Mouser Electronics

Authorized Distributor

Click to View Pricing, Inventory, Delivery & Lifecycle Information:

[TE Connectivity:](#)

[62166-1](#)