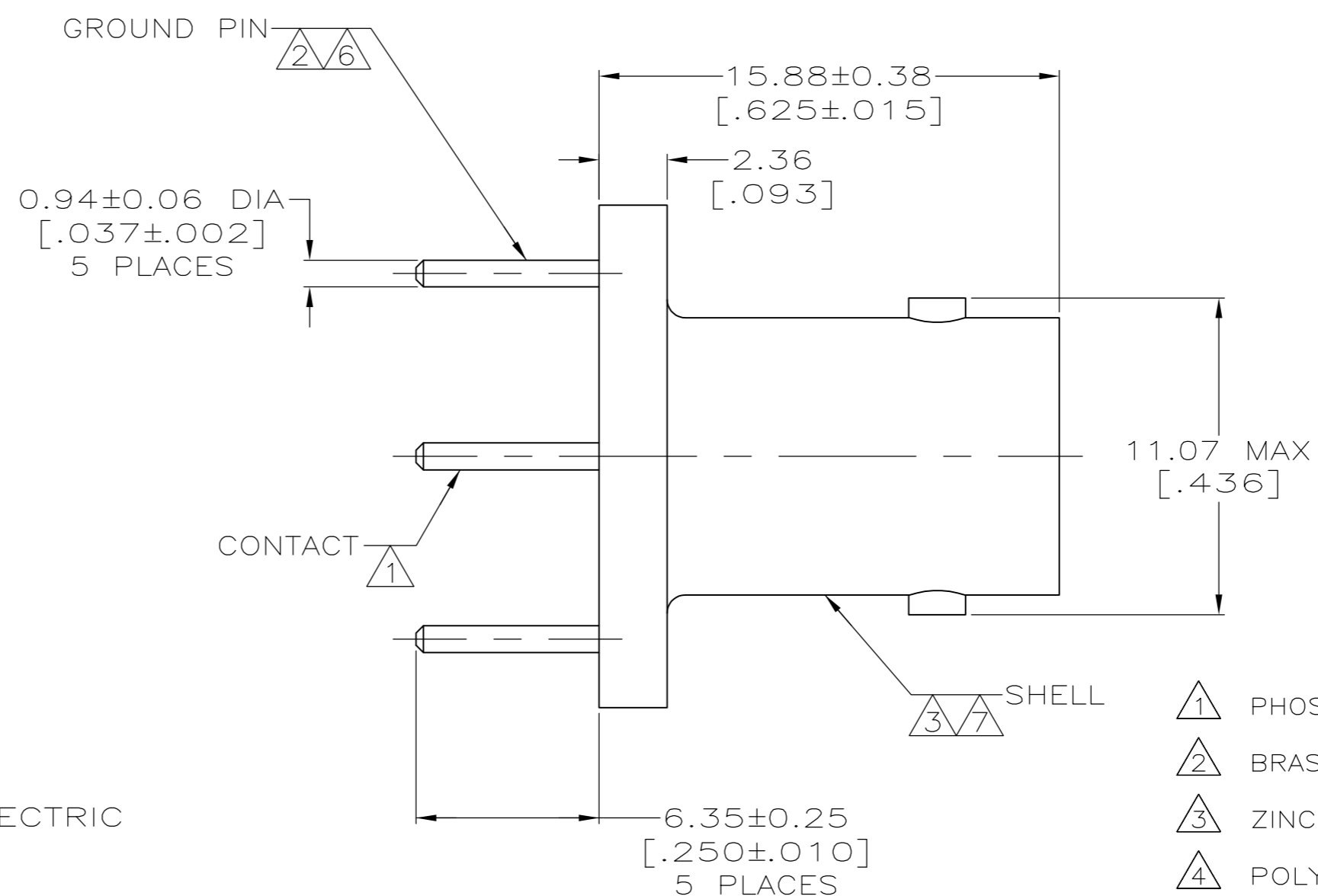
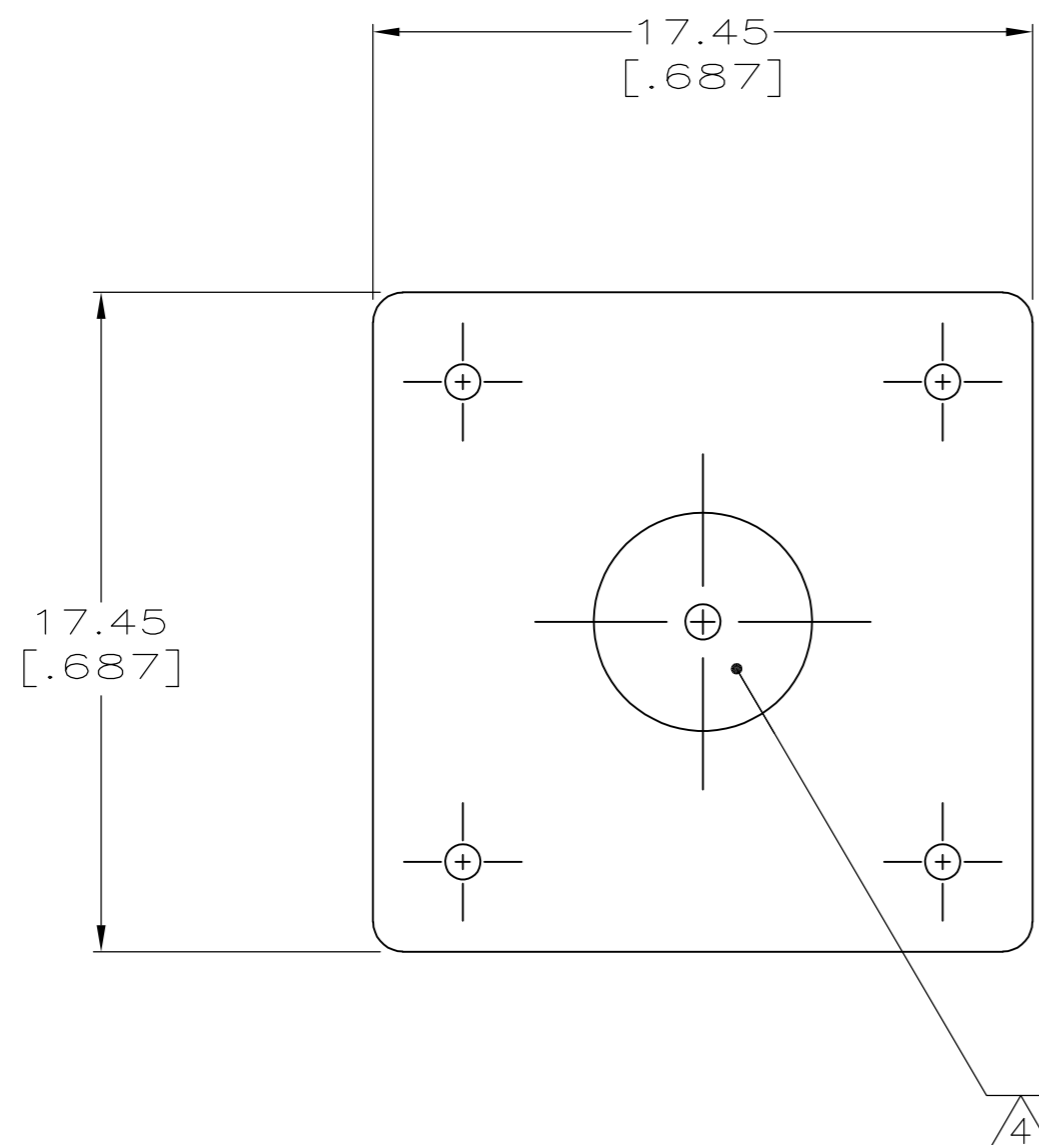
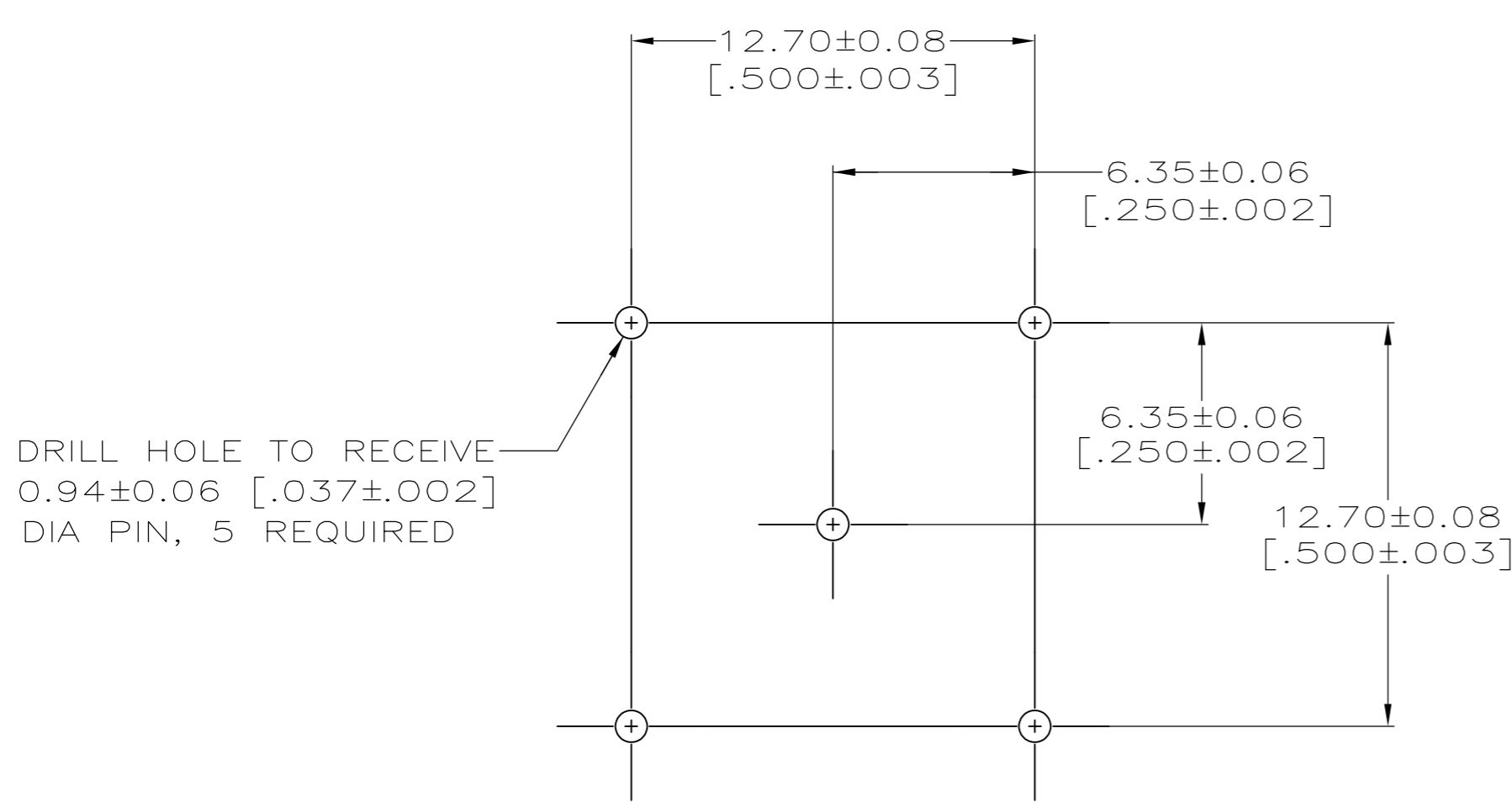


THIS DRAWING IS UNPUBLISHED. RELEASED FOR PUBLICATION
 © COPYRIGHT - By - ALL RIGHTS RESERVED.

LOC		DIST		REVISIONS			
P	LTR	DESCRIPTION		DATE	DWN	APVD	
AJ	17	A1	REVISED PER ECO-11-005030		11MAR11	RK	HMR



- 1 PHOSPHOR BRONZE PER QQ-B-750.
- 2 BRASS PER QQ-B-626.
- 3 ZINC PER QQ-Z-363.
- 4 POLYESTER, PBT, PER MIL-M-24519.
- 5 SILVER PLATE PER QQ-S-365
2.54µm [0.000100] MINIMUM THICK.
- 6 TIN PLATE PER ASTM-B-545
2.54µm [0.000100] MINIMUM THICK.
- 7 NICKEL PLATE PER QQ-N-290
3.81µm [0.000150] MINIMUM THICK.
- 8 GOLD PLATE PER ASTM-B-488,
0.76µm [0.000030] MINIMUM THICK.
- 9. SEE INSTRUCTION SHEET 408-9889.



SUGGESTED PCB CONFIGURATION

6	5227699-3
8	5227699-2
5	5227699-1
CONTACT FINISH	PART NUMBER

THIS DRAWING IS A CONTROLLED DOCUMENT.		DWN	21APR2005	L. VARELA - DOCK5	
DIMENSIONS: mm [INCHES]		CHK	21APR2005	J. HAVENER	
TOLERANCES UNLESS OTHERWISE SPECIFIED:		APVD	21APR2005	J. LIPPERT	
0 PLC	± -	PRODUCT SPEC	108-12078		
1 PLC	± -	APPLICATION SPEC	-		
2 PLC	± 0.20 [.008]	WEIGHT	-		
3 PLC	± -	CUSTOMER DRAWING	SCALE 5:1 SHEET 1 of 1 REV A1		
4 PLC	± -	MATERIAL FINISH			
ANGLES ± -		TE Connectivity			
MATERIAL FINISH		NAME			
1 2 3 4		JACK, 50 OHM, VERTICAL, PCB, BNC			
5 6 7 8 9 10		SIZE	CAGE CODE	DRAWING NO	RESTRICTED TO
		A2	00779	C=5227699	-

5227699

Mouser Electronics

Authorized Distributor

Click to View Pricing, Inventory, Delivery & Lifecycle Information:

[TE Connectivity:](#)

[5227699-1](#)