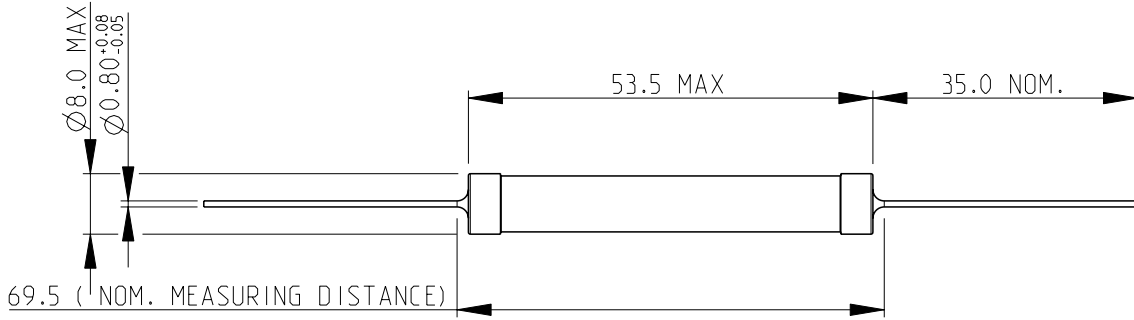


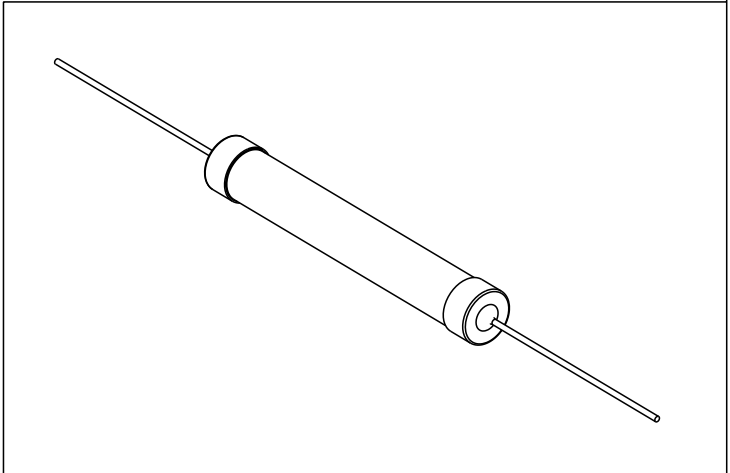
| REVISIONS | | | | | |
|-----------|-----|---------------|-----------|-----|------|
| P | LTR | DESCRIPTION | DATE | DWN | APVD |
| | BA2 | ECR-17-013465 | 13SEP2017 | RK | TN |

NOTES:

- FOR FURTHER INFORMATION SEE DATA SHEET FOR C SERIES-HIGH POWER RESISTORS.
- WEIGHT 0.600 Kg PER 100 PIECES.



RoHS Compliant



2008

RELEASED FOR PUBLICATION

THIS DRAWING IS UNPUBLISHED.

ALL RIGHTS RESERVED.

BY -

© COPYRIGHT 2008

| | | | | | | | |
|--|------------------|-----------|---------------------------|-----------|------------|---------------|-----------|
| DIMENSIONS: mm | DWN | 16-Sep-08 | MATERIAL | - | FINISH | - | |
| | CHK | 16-Sep-08 | | | | | |
| TOLERANCES UNLESS OTHERWISE SPECIFIED: | APVD | 16-Sep-08 | | | | | |
| 0 PLC ± 0.2 | PRODUCT SPEC | - | NAME HIGH POWER RESISTORS | | | | |
| 1 PLC ± 0.1 | APPLICATION SPEC | - | SERIES C14 | | | | |
| 2 PLC \pm | WEIGHT | - | SIZE | CAGE CODE | DRAWING NO | RESTRICTED TO | |
| 3 PLC \pm | | - | A 4 | 00779 | C=1623774 | - | |
| 4 PLC \pm | | | CUSTOMER DRAWING | | | | SCALE 1:1 |
| ANGLES $\pm 5^\circ$ | | | | | | | |

Mouser Electronics

Authorized Distributor

Click to View Pricing, Inventory, Delivery & Lifecycle Information:

[TE Connectivity:](#)

[C146R8JL](#)