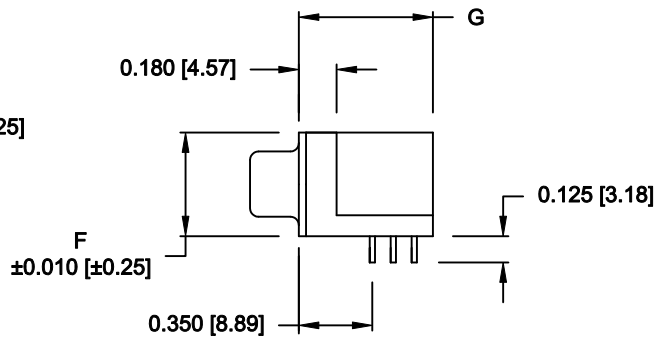
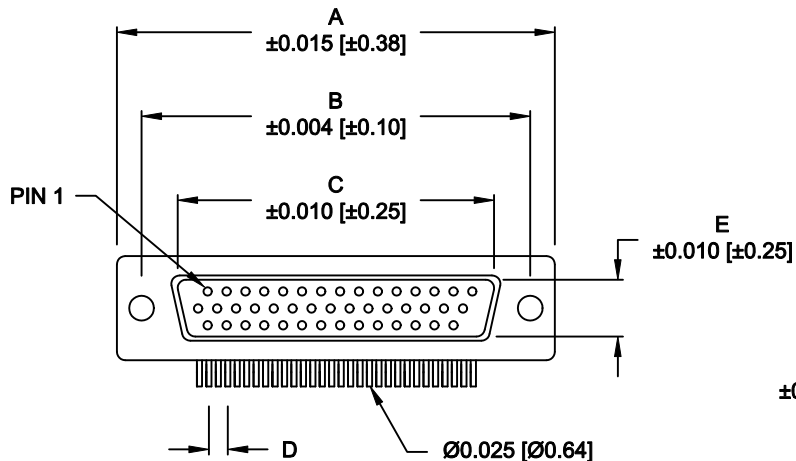


DESCRIPTION: HIGH DENSITY - MALE - RIGHT ANGLE - SEALED

44 PIN SHOWN

DIMENSIONS (IN.)							
No. OF PINS	A	B	C	D	E	F	G
15	1.213	0.984	0.666	0.090	0.329	0.496	0.639
	30.80	24.99	16.92	2.29	8.36	12.60	16.23
26	1.543	1.312	0.994	0.090	0.329	0.496	0.639
	39.19	33.32	25.25	2.29	8.36	12.60	16.23
44	2.087	1.852	1.534	0.090	0.329	0.496	0.639
	53.00	47.04	38.96	2.29	8.36	12.60	16.23



**681-YYY-1 1 3 R YY 1**

SERIES \_\_\_\_\_  
 POSITIONS \_\_\_\_\_  
 015  
 026  
 044

GENDER \_\_\_\_\_  
 1 = MALE

TERMINATION \_\_\_\_\_  
 1 = DIP SOLDER

SHELL PLATING \_\_\_\_\_  
 3 = NICKEL PLATED

RoHS COMPLIANT \_\_\_\_\_  
 (HIGH TEMP. PROCESS)

HARDWARE OPTIONS \_\_\_\_\_  
 17 = 4-40 INSERTS / INSIDE GND STRAPS  
 53 = 4-40 INSERTS / BOARDLOCKS

PLATING OPTIONS \_\_\_\_\_  
 1 = GOLD FLASH

**ELECTRICAL:**  
 CURRENT RATING: 2 AMPS  
 CONTACT RESISTANCE: 15 MILLIOhms Max.  
 INSULATION RESISTANCE: 1,000 MEGOhms Min.  
 VOLTAGE: 500V FOR 1 MINUTE  
 TEMPERATURE: -50°C TO +100°C

**MEETS IP66 STANDARDS**  
 (SEE PAGE 3 FOR SEALING DETAILS)

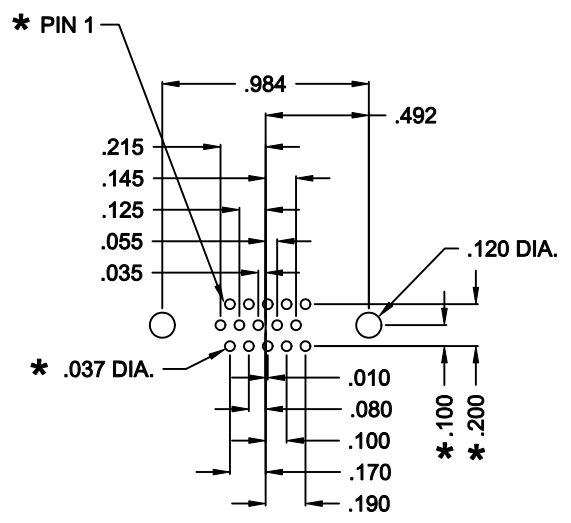
**MATERIALS:**  
 SHELL: SPCC, NICKEL PLATED  
 INSULATOR: PA 9T-BLACK (UL94-0)  
 260°C PROCESS TEMPERATURE  
 CONTACT: BRASS, GOLD ENTIRE CONTACT  
 RIVET: COPPER ALLOY, NICKEL PLATED  
 BOARDLOCK: SPCC, TIN PLATED  
 SCREWLOCK: ZINC ALLOY, NICKEL PLATED  
 SEAL: F08 FLEXIBLE ADHESIVE

DO NOT SCALE FROM DRAWING

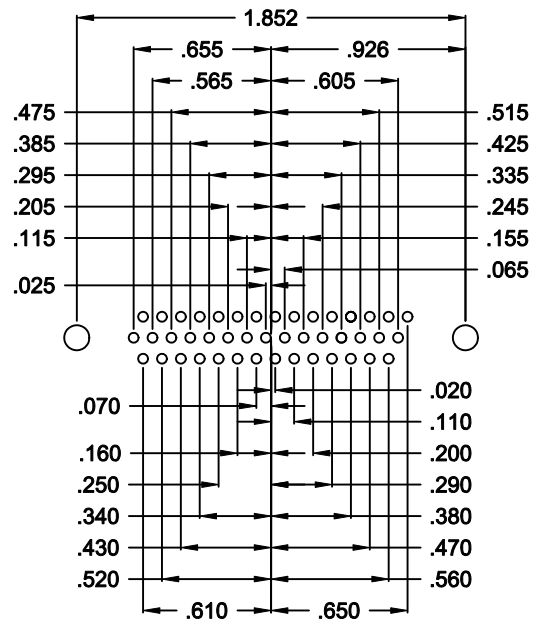
**RoHS COMPLIANT**

	THESE DRAWINGS AND SPECIFICATIONS ARE THE PROPERTY OF NorComp AND SHALL NOT BE REPRODUCED, COPIED OR USED AS THE BASIS FOR THE MANUFACTURE OR SALE OF APPARATUS WITHOUT WRITTEN PERMISSION.		DRAWN: <b>P. JENKINS</b>	DATE: <b>11-24-11</b>
			CHECKED:	DATE:
<b>NorComp</b>		SCALE:	SHEET <b>1</b> OF <b>3</b>	REV <b>1</b>
		DWG NO. <b>681-YYY-113RYY1</b>		

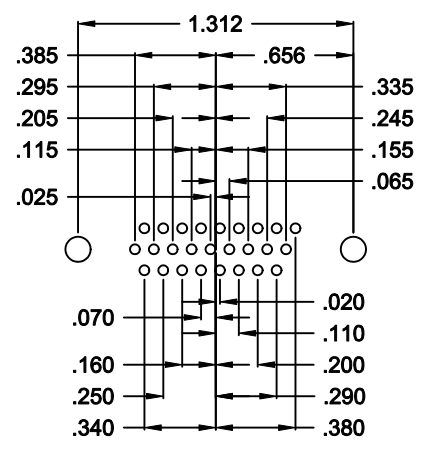
DESCRIPTION: PCB LAYOUT - RIGHT ANGLE - MALE



15 POSITION



44 POSITION




26 POSITION

**181 SERIES  
HIGH DENSITY  
RIGHT ANGLE**

**HOLE PATTERN SHOWN  
ARE FOR MALE**

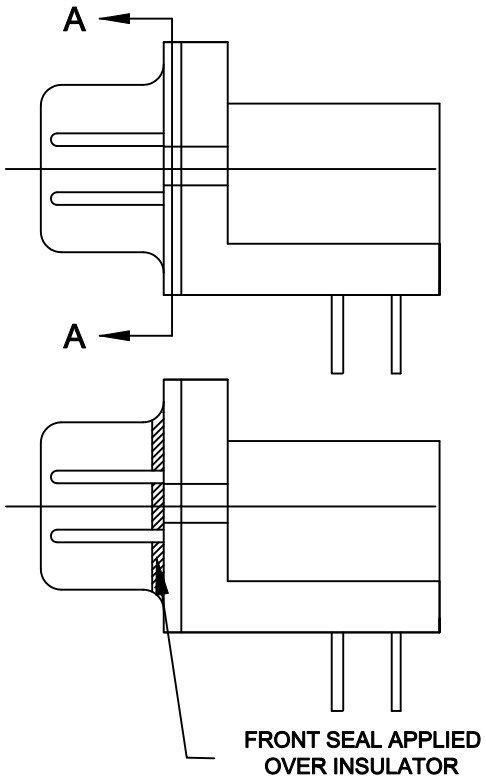
**\* TYP. ON ALL SIZES**

**DO NOT SCALE FROM DRAWING**

	THESE DRAWINGS AND SPECIFICATIONS ARE THE PROPERTY OF NorComp AND SHALL NOT BE REPRODUCED, COPIED OR USED AS THE BASIS FOR THE MANUFACTURE OR SALE OF APPARATUS WITHOUT WRITTEN PERMISSION.		DRAWN: <b>P. JENKINS</b>	DATE: <b>11-24-11</b>
			CHECKED:	DATE:
<b>NorComp</b>		SCALE: <b>FULL</b>	SHEET <b>2</b> OF <b>3</b>	REV <b>1</b>
		DWG NO. <b>681-YYY-113RYY1</b>		

DESCRIPTION: HIGH DENSITY R/A HARDWARE OPTIONS

**SEALING PROCESS**



DETAIL A-A

SHOWN FOR REFERENCE ONLY

**HARDWARE OPTIONS**

	<p>0.141 ±0.020</p> <p>METAL SHELL WITH INSIDE GROUND STRAPS</p>	<p>METAL SHELL FORK BOARD LOCKS</p>
<p>4-40 FLUSH INSERT</p>	17	<p>53</p> <p>BOARD LOCKS IN FRONT HOLE</p>



THESE DRAWINGS AND SPECIFICATIONS ARE THE PROPERTY OF NorComp AND SHALL NOT BE REPRODUCED, COPIED OR USED AS THE BASIS FOR THE MANUFACTURE OR SALE OF APPARATUS WITHOUT WRITTEN PERMISSION.

DRAWN: <b>P. JENKINS</b>	DATE: <b>11-24-11</b>
CHECKED:	DATE:

**NorComp**

SCALE:	SHEET <b>3</b>	OF <b>3</b>	REV <b>1</b>
DWG NO. <b>681-YYY-113RYY1</b>			

**RoHS COMPLIANT**

# Mouser Electronics

Authorized Distributor

Click to View Pricing, Inventory, Delivery & Lifecycle Information:

[NorComp:](#)

[681-015-113R171](#) [681-015-113R531](#) [681-026-113R171](#) [681-026-113R531](#) [681-044-113R171](#) [681-044-113R531](#)