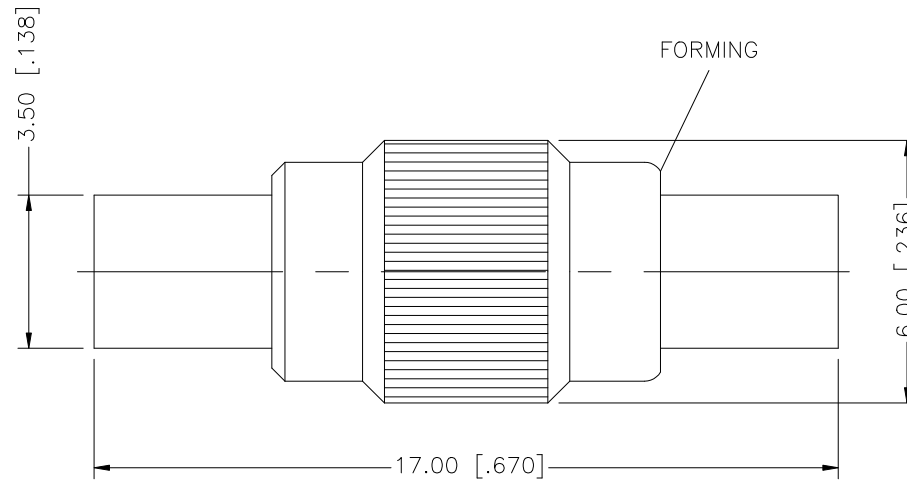


REV.	DATE	DESCRIPTION
NC	09/07/99	INITIAL RELEASE
A	11/13/07	UPDATE DRAWING FORMAT



8				<small>UNLESS OTHERWISE SPECIFIED DIMENSIONS ARE IN MILLIMETERS. DIMENSIONS IN [] ARE IN INCHES AND FOR CUSTOMER REFERENCE ONLY.</small> <small>UNLESS OTHERWISE SPECIFIED TOLERANCES FOR MILLIMETERS ARE:</small> 0.5 - 8mm ± 0.20mm 8 - 30mm ± 0.40mm 30 - 120mm ± 0.50mm <small>UNLESS OTHERWISE SPECIFIED TOLERANCES FOR INCHES ARE:</small> .020 - .315 ± 0.007" .315 - 1.180 ± 0.015" 1.180 - 4.724 ± 0.020"	APPROVALS	DATE	<h1 style="color: blue;">Amphenol Connex</h1>				
7					DRAWN	G.R.S.					11/13/07
6						CHECKED		PART NO. 262129			
5						ISSUED					
4					SHEET	1 OF 1	REV. A				
3	CONTACT PIN	BER. COPPER	GOLD	1	CAD FILE						SCALE NA
2	INSULATOR	TEFLON	NATURAL	1	C:/262/262129.DWG		SIZE A				
1	BODY	BRASS	GOLD	1							DO NOT SCALE DRAWING
	DESCRIPTION	MATERIAL	FINISH	QTY			SCALE NA				
											SCALE NA