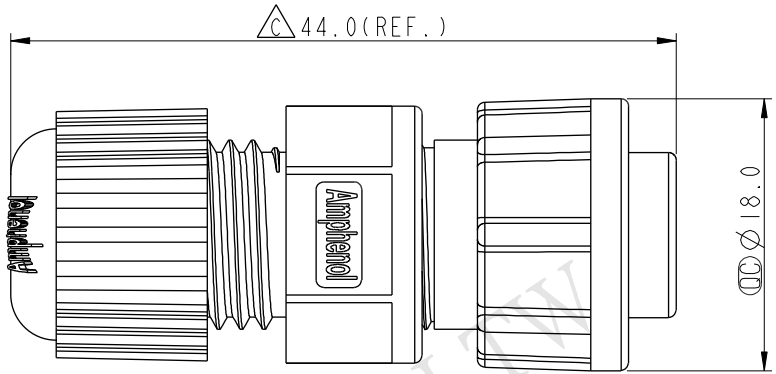
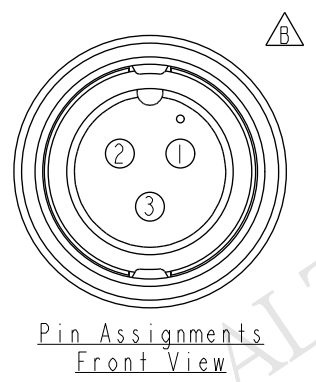
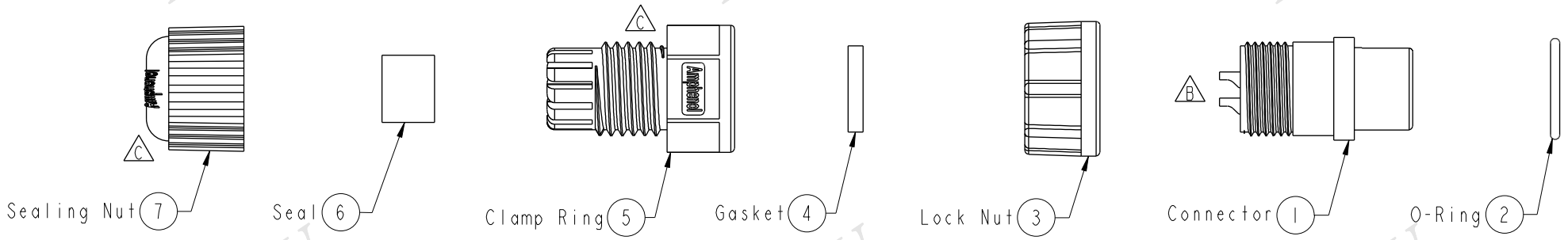


THIS DOCUMENT IS SUBJECT TO CHANGE WITHOUT NOTICE. IT IS CONFIDENTIAL AND A PROPERTY OF Amphenol LTW. DISCLOSURE TO THIRD PARTY HAS TO BE AUTHORIZED BY Amphenol LTW.

REV.	ECN NO.	DATE	SIGN	DESCRIPTION
B	LEN-0C0554	2010/11/26	Ivan	Change View
C	LEN14C0027	2014/11/20	Vicky	Udate Logo & Dimension

ALTW
 CONFIDENTIAL
 2014-11-20
 R&D DEPT.

ALTW
 DCC. DEPT.
 CONFIDENTIAL
 2014.12.03
 ISSUED



Note:

- * (CC) Important Dimension To Check.
- * Waterproof Rate: IP67
- * Housing: Nylon+GF, Black
- * Female Pin: Copper Alloy, Gold Plated
- * O-Ring: EPDM, Black
- * Lock Nut: Nylon+GF, Black
- * Gasket: EPDM, Black
- * Clamp Ring: Nylon, Black
- * Seal: EPDM, Black
- * Sealing Nut: Nylon, Black
- * Seal For Cable OD: $\varnothing 4.5\text{mm} \sim \varnothing 6.5\text{mm}$
(防水墊圈線徑: $\varnothing 4.5\text{mm} \sim \varnothing 6.5\text{mm}$)
- * One Set Unassembled In One PE Bag
(每一組未組裝, 放置於一個PE袋, 並封口)

UNIT:mm		
TOLERANCE	.X ± 0.25	.XX ± 0.1
	.XXX ± 0.05	ANGLES $\pm 1^\circ$

TITLE Standard 3Pin F Conn. For Assy			
SCALE 5:4	SIZE A4	SHEET 1 OF 1	
REV. C	WC-REV. A.2	(CC): Inspection item	

Amphenol LTW
 安費諾亮泰企業股份有限公司

ITEM NO BD-03BFFA-LL7001	DRAWN BY Vicky	DATE 2014-11-20
DWG NO BD-03BFFA-LL7001	CHECKED BY Sam	DATE 2014-11-20
CUSTOMER ALTW	APPROVED BY Rita	DATE 2014-11-20

Mouser Electronics

Authorized Distributor

Click to View Pricing, Inventory, Delivery & Lifecycle Information:

[Amphenol:](#)

[BD-03BFFA-LL7001](#)