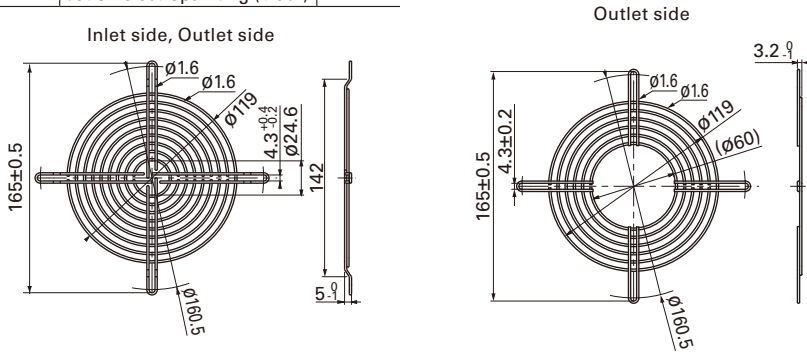


127 mm sq., ϕ 175 mm type

Model no.	Surface treatment	Mass (g)
109-722	Nickel-chrome plating (silver)	43
109-722H	Cation electropainting (black)	

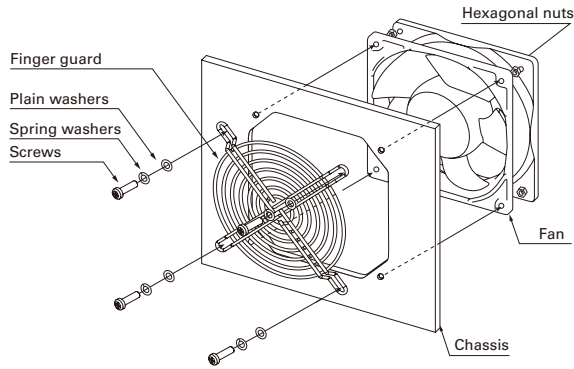
127 mm sq. type

Model no.	Surface treatment	Mass (g)
109-723	Nickel-chrome plating (silver)	34

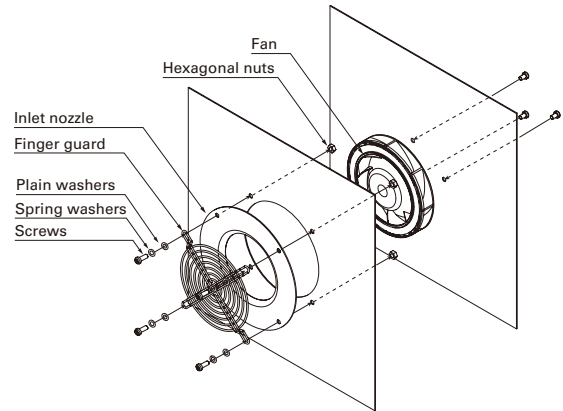


Mounting example

Axial fan



Centrifugal fan



Mouser Electronics

Authorized Distributor

Click to View Pricing, Inventory, Delivery & Lifecycle Information:

[Sanyo Denki:](#)

[109-722](#) [109-723](#)