

REVISIONS

P	LTR	DESCRIPTION	DATE	DWN	APVD
	B2	REVISED PER ECO-11-005150	29MAR2011	RK	HMR
	W	ECR-16-003733	12MAR2016	KR	TN

LASER MARKING: TE LOGO PN VALUE TOLERANCE & DATE CODE

M6 ST/STEEL TERMINAL STUDS. EACH SUPPLIED WITH:- 2 OFF M6 ST/STEEL FULL NUTS 2 OFF M6/STEEL PLAN WASHERS

5.6 MIN

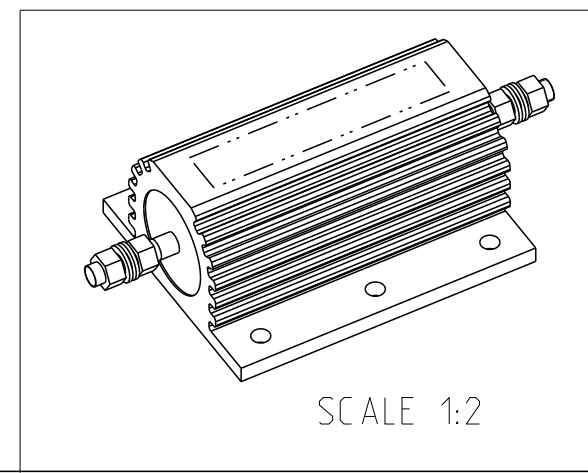
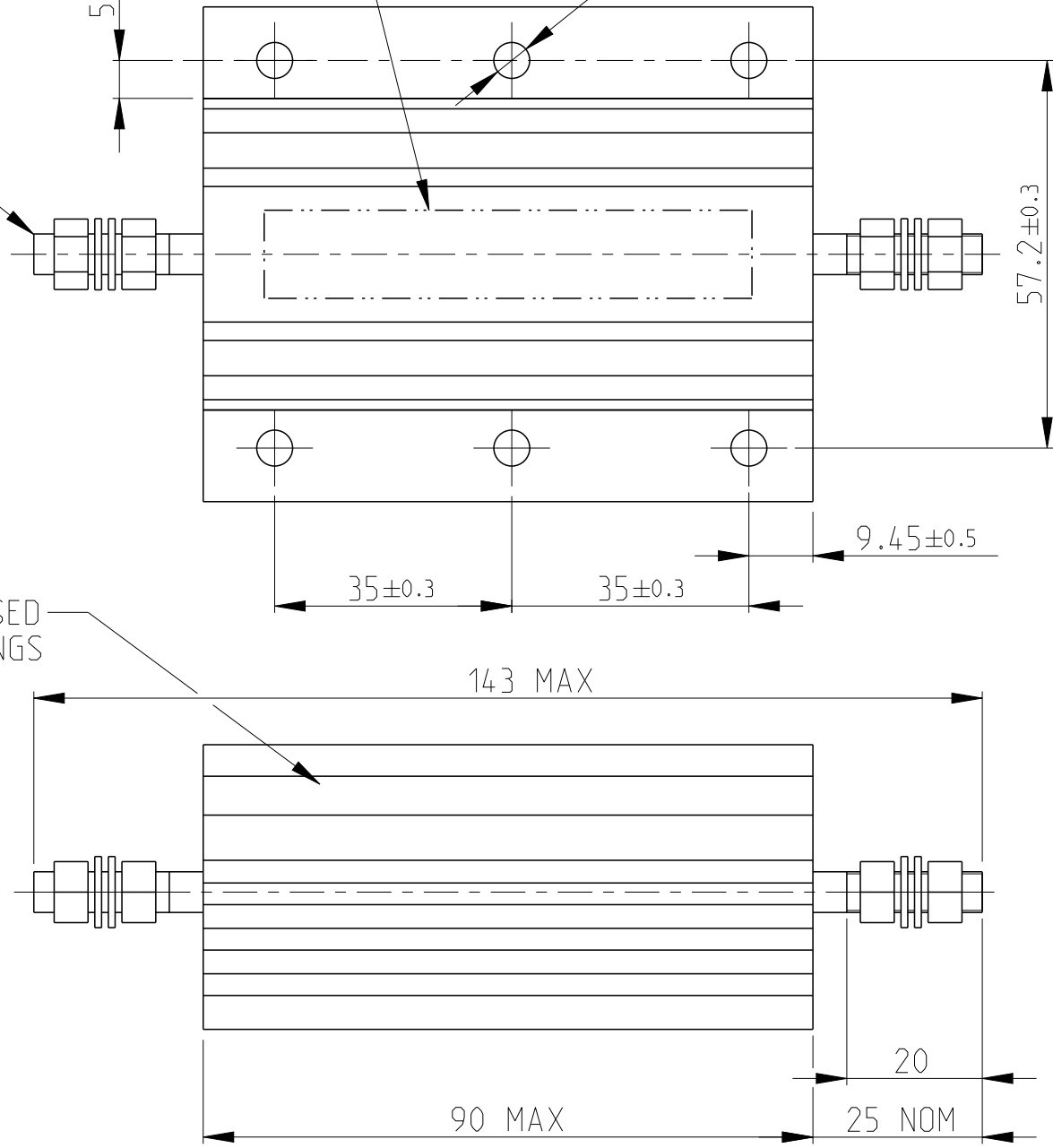
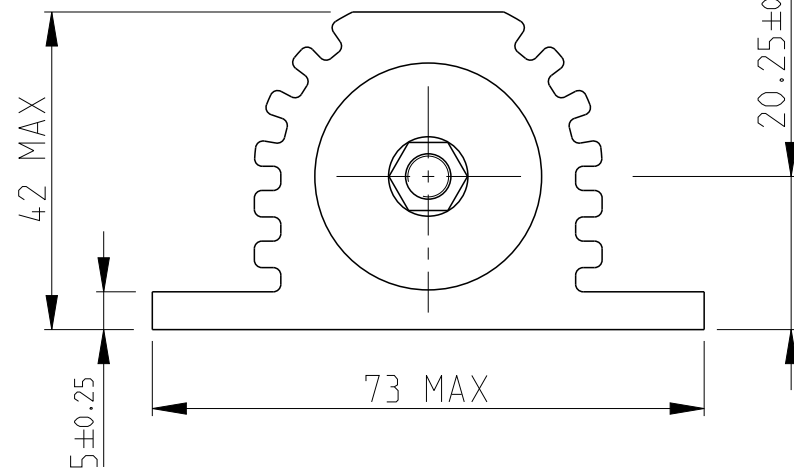
6 HOLES Ø5.3


- 1 FOR FURTHER INFORMATION SEE DATA SHEET FOR HS SERIES-ALUMINIUM HOUSED RESISTORS
- 2 FOR A SPECIFIC PN FOR A RESISTANCE VALUE AND TOLERANCE, PLEASE REFER TO DMF

GOLD ANODISED ALUMINIUM HOUSINGS

HSC200 ALUMINIUM HOUSED POWER RESISTOR

RoHS Compliant



THIS DRAWING IS A CONTROLLED DOCUMENT.		DWN L LUONG 10.MAR.03	 TE Connectivity	
DIMENSIONS: mm		CHK J CATCHPOLE 10.MAR.03		
TOLERANCES UNLESS OTHERWISE SPECIFIED:		APVD J CATCHPOLE 10.MAR.03	NAME HSC200 ALUMINIUM HOUSED POWER RESISTOR	
0 PLC ±0.5		PRODUCT SPEC -	RESTRICTED TO -	
1 PLC ±0.2		APPLICATION SPEC -	SIZE A3	CAGE CODE 00779
2 PLC ±0.1		WEIGHT -	DRAWING NO C-1630019	SCALE 1:1
3 PLC ±		CUSTOMER DRAWING	SHEET 1 OF 1	REV W
4 PLC ±				
ANGLES ± 5°				
MATERIAL material_2				
FINISH finish_spec_2				

Mouser Electronics

Authorized Distributor

Click to View Pricing, Inventory, Delivery & Lifecycle Information:

[TE Connectivity:](#)

[HSC2001K2J](#)