

4

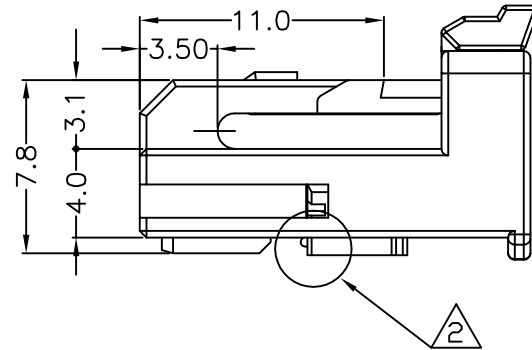
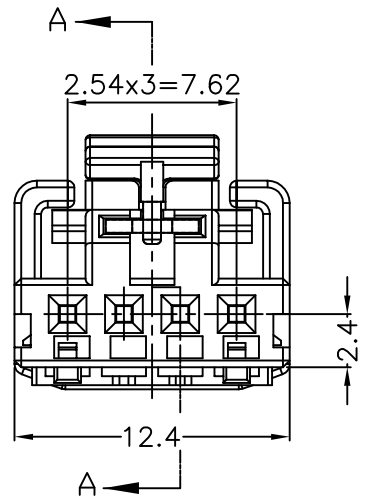
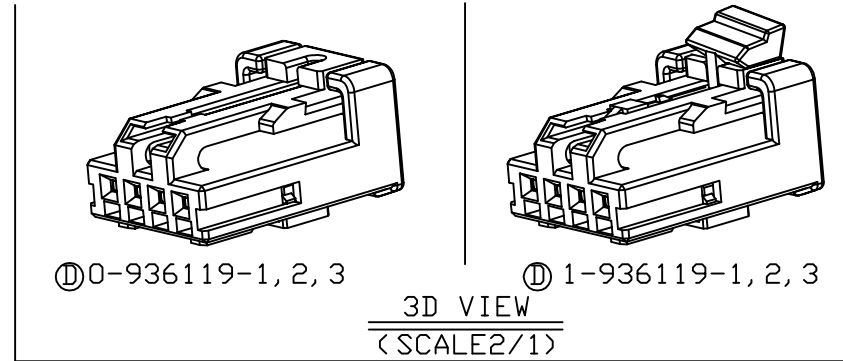
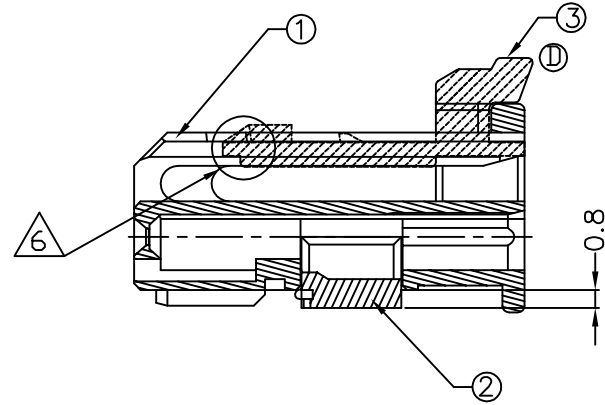
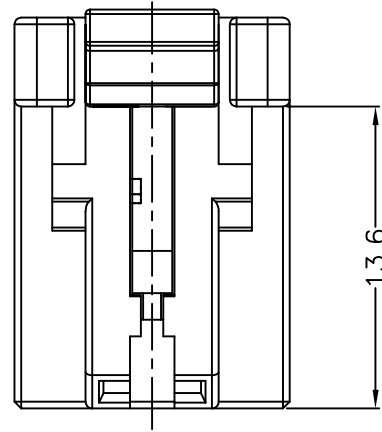
3

2

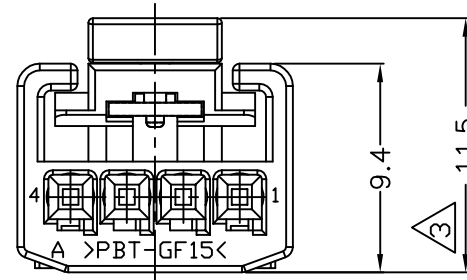
1

THIS DRAWING IS UNPUBLISHED. RELEASED FOR PUBLICATION
COPYRIGHT BY TYCO ELECTRONICS CORPORATION, ALL RIGHTS RESERVED.

LOC	DIST	REVISIONS					
		P	LTR	DESCRIPTION	DATE	DWN	APVD
DS	-	E		REVISED (ECR-13-008383)	16, MAY, '13	JM	HG

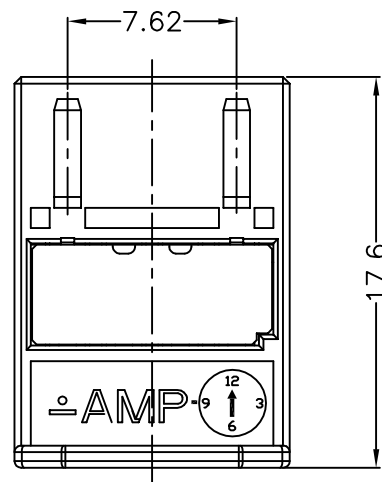


SECTION A-A
(SCALE 2/1)



NOTES

- 1. GENERAL TOLERANCE IS ±0.3
 - 2. CONDITION OF DELIVERY : DBL IN 1ST LOCKING POSITION
 - 3. 1-936119-1,2,3 ONLY
 - 4. APPLIED CAP ASS'Y P/N: 936121
 - 5. APPLIED RECEPTACLE CONTACT P/N:
- | | | |
|-----------------------------|----------|--------|
| Part NO. | 928999 | 963715 |
| WIRE SIZE(mm ²) | 0.25~0.5 | 0.75 |
- 6. CONDITION OF DELIVERY : CPA IN 1ST LOCKING POSITION



NO	COLOR	MATERIAL	DESCRIPTION	P/N	QTY				ASSY P/N	DESCRIPTION
3	WHITE	PBT-GF20	CPA HSG	936353-1	1		1	1		PLUG ASS'Y WITH CPA
2	WHITE	PBT-GF15	DBL HSG	936123-1	1	1	1	1	1	PLUG ASS'Y (DARK GRAY)
1	DARK GRAY	PBT-GF15	PLUG HSG	936120-3	1	1				PLUG ASS'Y WITH CPA
	YELLOW	PBT-GF15	PLUG HSG	936120-2			1	1		PLUG ASS'Y (YELLOW)
	BLACK	PBT-GF15	PLUG HSG	936120-1				1	1	PLUG ASS'Y WITH CPA
										PLUG ASS'Y (BLACK)

THIS DRAWING IS A CONTROLLED DOCUMENT FOR TYCO ELECTRONICS CORPORATION IT IS SUBJECT TO CHANGE AND THE CONTROLLING ENGINEERING ORGANIZATION SHOULD BE CONTACTED FOR THE LATEST REVISION.

DWN : JM JEON
CHK : JW JUNG
APVD : HG CHD

TE connectivity

NAME: MQS 4P PLUG ASSEMBLY

PRODUCT SPEC: _____
APPLICATION SPEC: _____

SIZE: A3 CAGE CODE: 00779 DRAWING NO: 936119 RESTRICTED TO: -

MATERIAL: SEE TABLE FINISH: _____ WEIGHT: _____

CUSTOMER DRAWING SCALE: 3/1 SHEET 1 OF 1 REV: E

Mouser Electronics

Authorized Distributor

Click to View Pricing, Inventory, Delivery & Lifecycle Information:

[TE Connectivity:](#)

[936119-1](#)