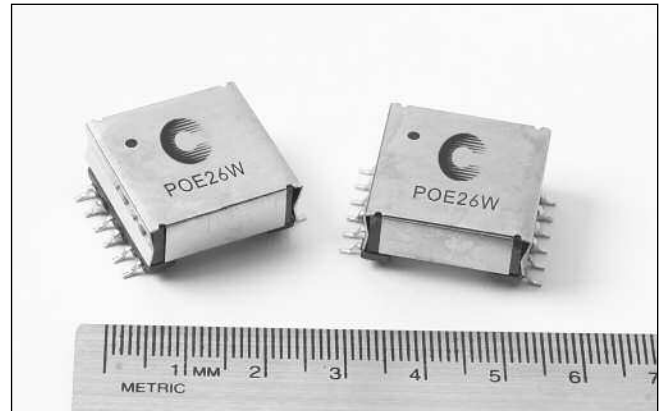


### Description

- Versatile design allows multiple output variations
- Forward topology, 300kHz switching frequency
- Input range from 29.5-60V
- 1500Vac isolation between primary and secondary
- Power 26watts
- Low leakage inductance



### Applications

- For IEEE 802.3af-compliant Power over Ethernet applications
- UPS, VoiP Phone, Wireless LAN Access point, Bluetooth Access point, Network Camera, Building Access Systems
- Retail Point-of-information systems
- Vending/Gaming Machines

### Environmental Data

- Storage temperature range: -40°C to +125°C
- Operating ambient temperature range: -40°C to +85°C (range is application specific)
- Solder reflow temperature: +260°C max. for 10 seconds maximum

### Packaging

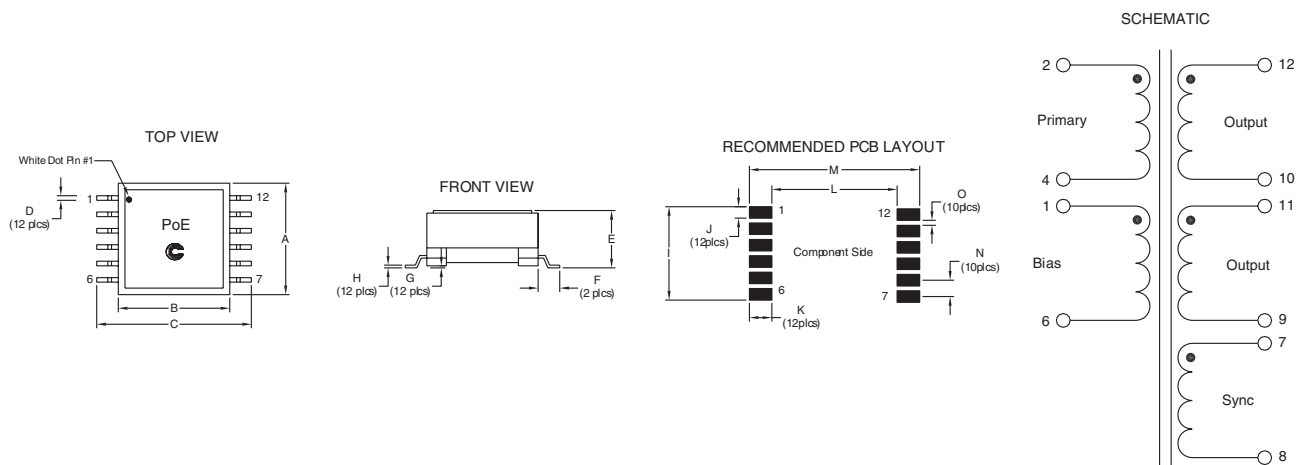
- Packaging information: 115 parts per 13" reel

Part Number	Watts	Primary Induct. (uH)	Output	Bias	Sync	DCR/ Pri (ohms) max	DCR/ Sec (ohms) max	DCR/ Bias (ohms) max	DCR/ Sync (ohms) max	Leakage Induct. (uh) typ.	Pri Current Pk (Adc)	Turns ratio pins Pri (2 - 4): V1 (12 - 10): V2 (11 - 9): Bias (1 - 6): Sync (7 - 8)
PoE26W3.3VS5-R	26	160	(2)x3.3V@4.0A	10.0V@0.1A	5V@0.1A	0.100	0.025	0.90	0.42	1.0	2.6	1:0.29:0.29:0.83:0.42 +/-2%
PoE26W3.3VS10-R	26	160	(2)x3.3V@4.0A	10.0V@0.1A	10V@0.1A	0.100	0.025	0.90	0.90	1.0	2.6	1:0.29:0.29:0.83:0.83 +/-2%
PoE26W5V-R	26	160	(2)x5.0V@2.6A	10.0V@0.1A	5.0V@0.1A	0.100	0.050	0.90	0.42	1.0	2.6	1:0.42:0.42:0.83:0.42 +/-2%

(1) Test parameters: 100kHz, 0.100Vrms, 0.0Adc  
 (2) DCR limits maximum @ 20°C

(3) Leakage Inductance 300kHz, 0.01Vrms, 0.0Adc

### Mechanical Diagram

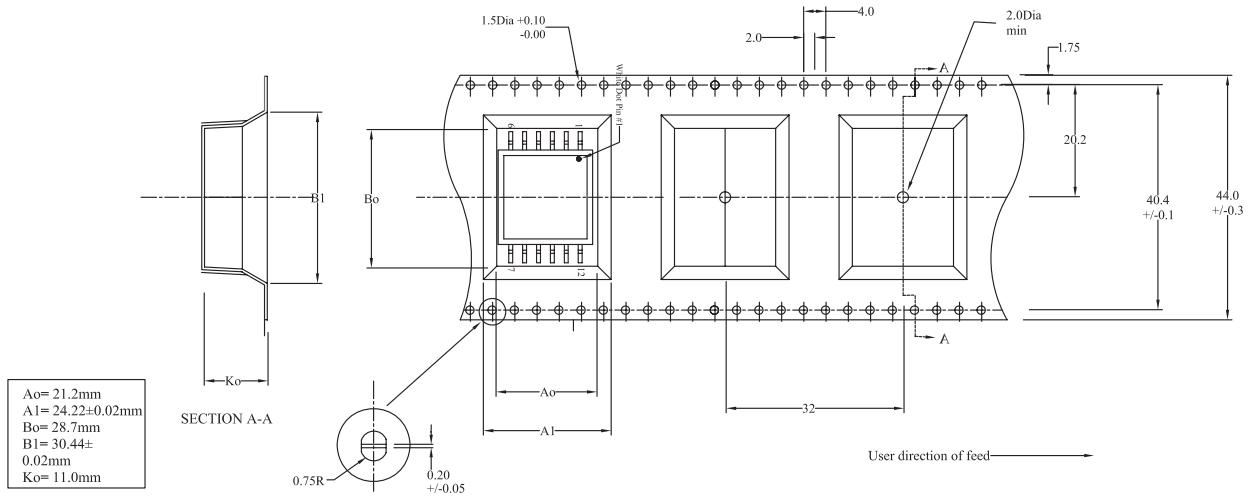


### DIMENSIONS

	A mm max.	B mm ref.	C mm max.	D mm ref.	E mm max.	F mm ref.	G mm ref.	H mm ref.	I mm ref.	J mm	K mm	L mm ref.	M mm max.	N mm	O mm
	21.5	22.0	28.5	0.7	10.8	2.95	0.1	0.4	17.25	2.25	3.15	23.2	29.5	3.0	0.75

1) Tolerances A - H are ± 0.25mm unless specified otherwise.  
 2) Tolerances I - O are ± 0.10mm unless specified otherwise.  
 2) All soldering surfaces are coplanar to within ± 0.102mm.

## Packaging Information



# Mouser Electronics

Authorized Distributor

Click to View Pricing, Inventory, Delivery & Lifecycle Information:

[Eaton:](#)

[POE26W3.3VS10-R](#) [POE26W3.3VS5-R](#) [POE26W5V-R](#)