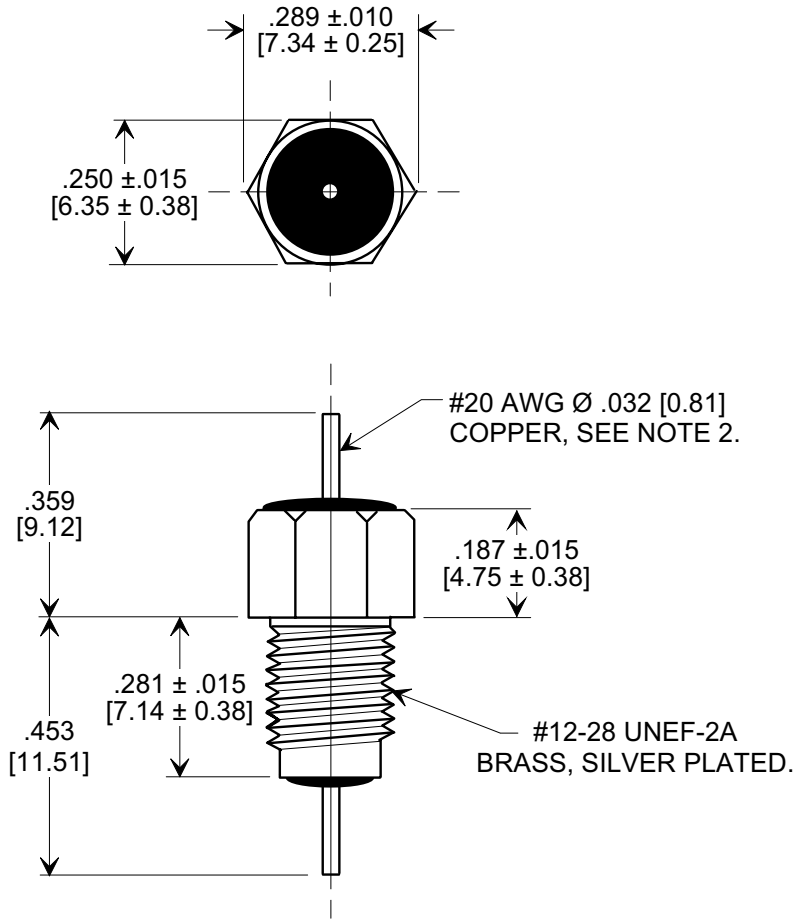
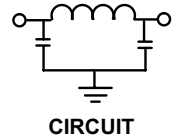
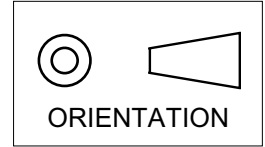


MARKETING SALES DRAWING

DIMENSIONS IN INCHES - DO NOT SCALE THIS DRAWING
DIMENSIONS IN METRIC - []

This drawing is the property of Tusonix, Inc., and may not be used, reproduced, published or disclosed to others without expressed authorization by Tusonix Inc.

Electrical Testing
per Tusonix standard
test plans and Mil-Std-202
Test Methods.



NOTES:

- TUSONIX STANDARD PART NUMBER: 4204-050.
 TUSONIX RoHS COMPLIANT PART NUMBER: 4204-050 LF.
 CUSTOMER MUST SPECIFY STANDARD OR RoHS PART NUMBER WHEN ORDERING.
- LEAD FINISH: STANDARD PART #: 60/40 SOLDER PLATED. RoHS PART #: SILVER PLATED.
- PART MARKING: TRADEMARK AND VARIATION NUMBER ON HEX FLATS.
 STANDARD PART: BLACK INK. RoHS PART: GREEN INK.
- SUPPLIED WITH SILVER PLATED COPPER ALLOY HEX NUT AND INTERNAL TOOTH LOCK WASHER.

MIN. CAP. (pF)	WORKING VOLTAGE (VDC)		CURRENT (Idc)	I.R. MIN. @ 100 (VDC)	DWV (VDC)	MINIMUM NO LOAD INSERTION LOSS (dB) AT 25°C PER MIL-STD -220			
	85°C	125 °C				10 MHz	100 MHz	1 GHz	10 GHz
5000	200	100	10 A	10 G Ω	400	20	65	70	70

X-2015 Rev-0 REVISION RECORD Original Release C.O. 2898 RDN TO COMP FMT & ADDED METRIC. 02-12-02 20020522-6-07 ADDED NOTES, IR & DWV. S.M. 02-20-06 20060109-2-10	0	--TOLERANCES-- Unless Otherwise Specified <hr/> DECIMAL ± .031 [0.79] <hr/> ANGLES ±	Title BUSHING STYLE EMI FILTER	
	1		Drawn S.M. 05-22-02	Scale 3 X
	2		Approved J.Mc. 05-22-02	
	TUSONIX TUCSON, ARIZONA		A	4204-050

Mouser Electronics

Authorized Distributor

Click to View Pricing, Inventory, Delivery & Lifecycle Information:

[Tusonix / CTS:](#)

[4204-050LF](#)