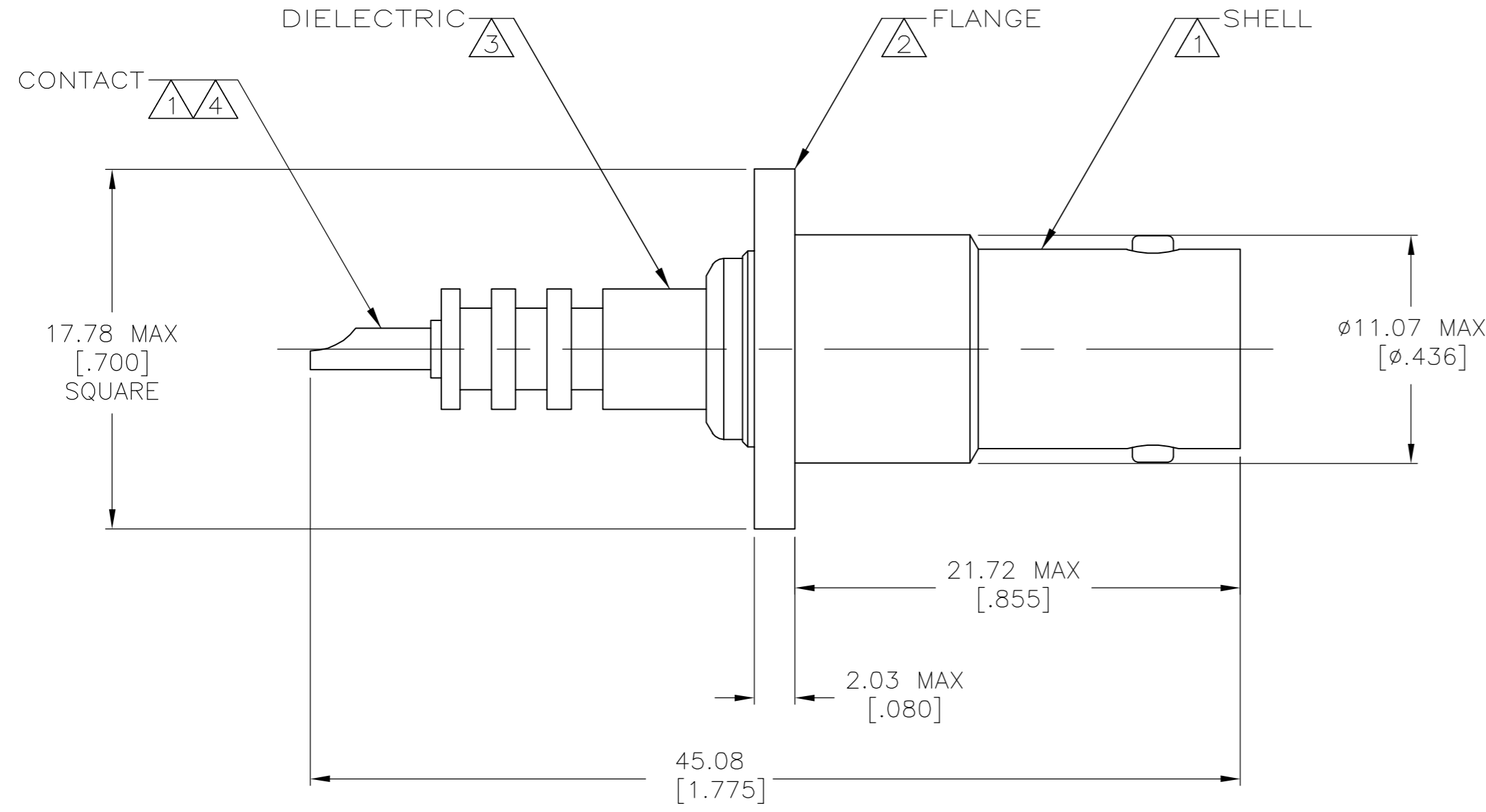
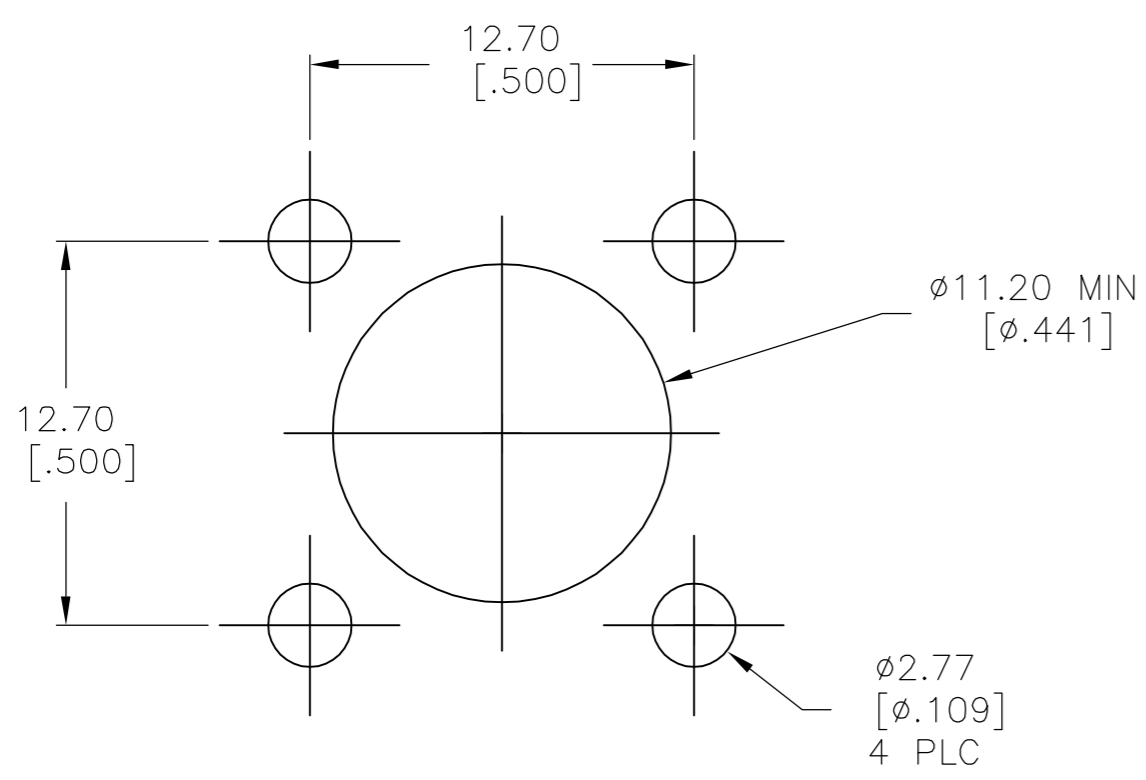


THIS DRAWING IS UNPUBLISHED. RELEASED FOR PUBLICATION
 © COPYRIGHT BY TYCO ELECTRONICS CORPORATION. ALL RIGHTS RESERVED.

LOC	DIST	REVISIONS			
P	LTR	DESCRIPTION	DATE	DWN	APVD
AJ	16	K	REVISED PER ECO-06-002381	13MAR2006	REH JL



- ① BRASS PER ASTM-B-16
- ② BRASS PER ASTM-B-36
- ③ PTFE PER MIL-P-19468
- ④ GOLD PLATE PER MIL-G-45204, 1.27µm [.000050] MIN THICKNESS
- ⑤ NICKEL PLATE PER QQ-N-290, 2.54µm [.000100] MIN THICKNESS
- ⑥ SILVER PLATE PER QQ-S-365, 2.54µm MIN THICKNESS
- 7. 4 HOLES IN FLANGE HAVE 3-56 UNF-2B THREAD



RECOMMENDED PANEL CUTOUT

SUPERSEDED BY 51421-2	⑤	⑤	51421-2
	⑥	⑥	51421-1
	FLANGE	SHELL	PART NUMBER
FINISH			

THIS DRAWING IS A CONTROLLED DOCUMENT.		DWN M.E.COWHER 20/SEPT/93	Tyco Electronics Corporation Harrisburg, PA 17105-3608	
DIMENSIONS: mm [INCHES]		CHK M.PHILLIPS 21/SEPT/93		
TOLERANCES UNLESS OTHERWISE SPECIFIED:		APVD M.PHILLIPS 21/SEPT/93	NAME PANEL RECEPTACLE, SHV	
0 PLC ± -	1 PLC ± -	PRODUCT SPEC -	SIZE A2	CAGE CODE 00779
2 PLC ± 0.10 [.004]	3 PLC ± -	APPLICATION SPEC -	DRAWING NO C=51421	RESTRICTED TO -
4 PLC ± -	ANGLES ± -	WEIGHT -	SCALE 4:1	SHEET 1 of 1
MATERIAL -	FINISH -	CUSTOMER DRAWING	REV K	

Mouser Electronics

Authorized Distributor

Click to View Pricing, Inventory, Delivery & Lifecycle Information:

[TE Connectivity:](#)

[51421-2](#)