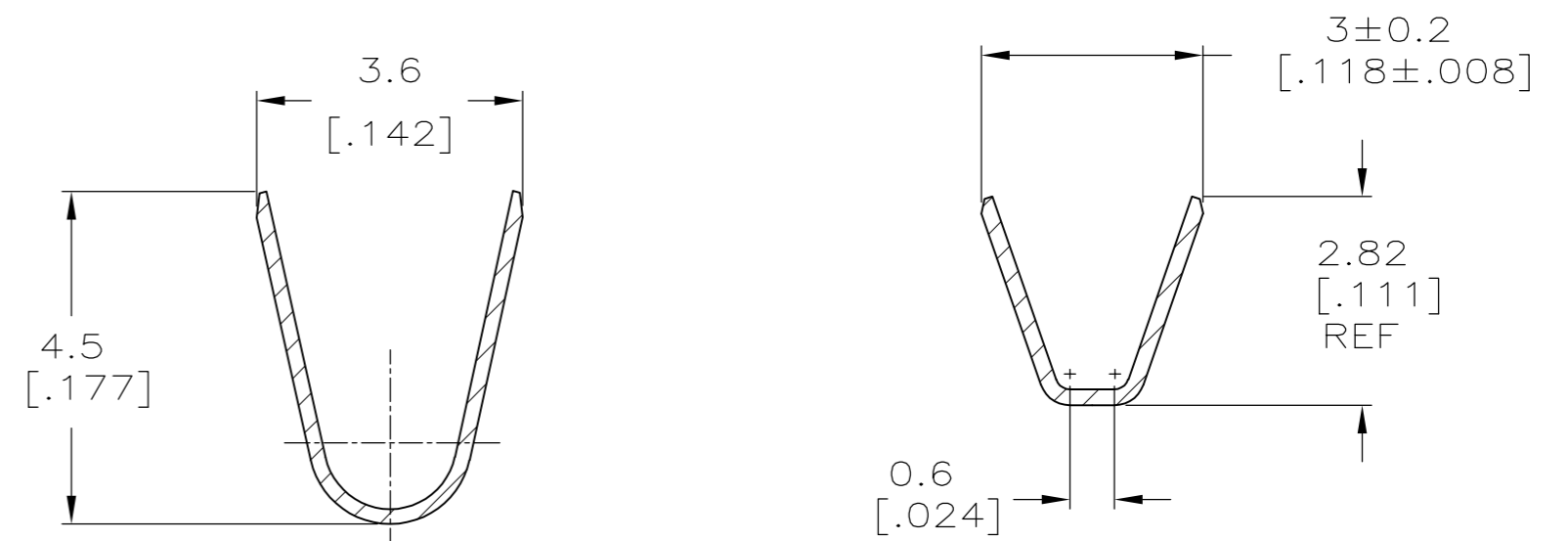
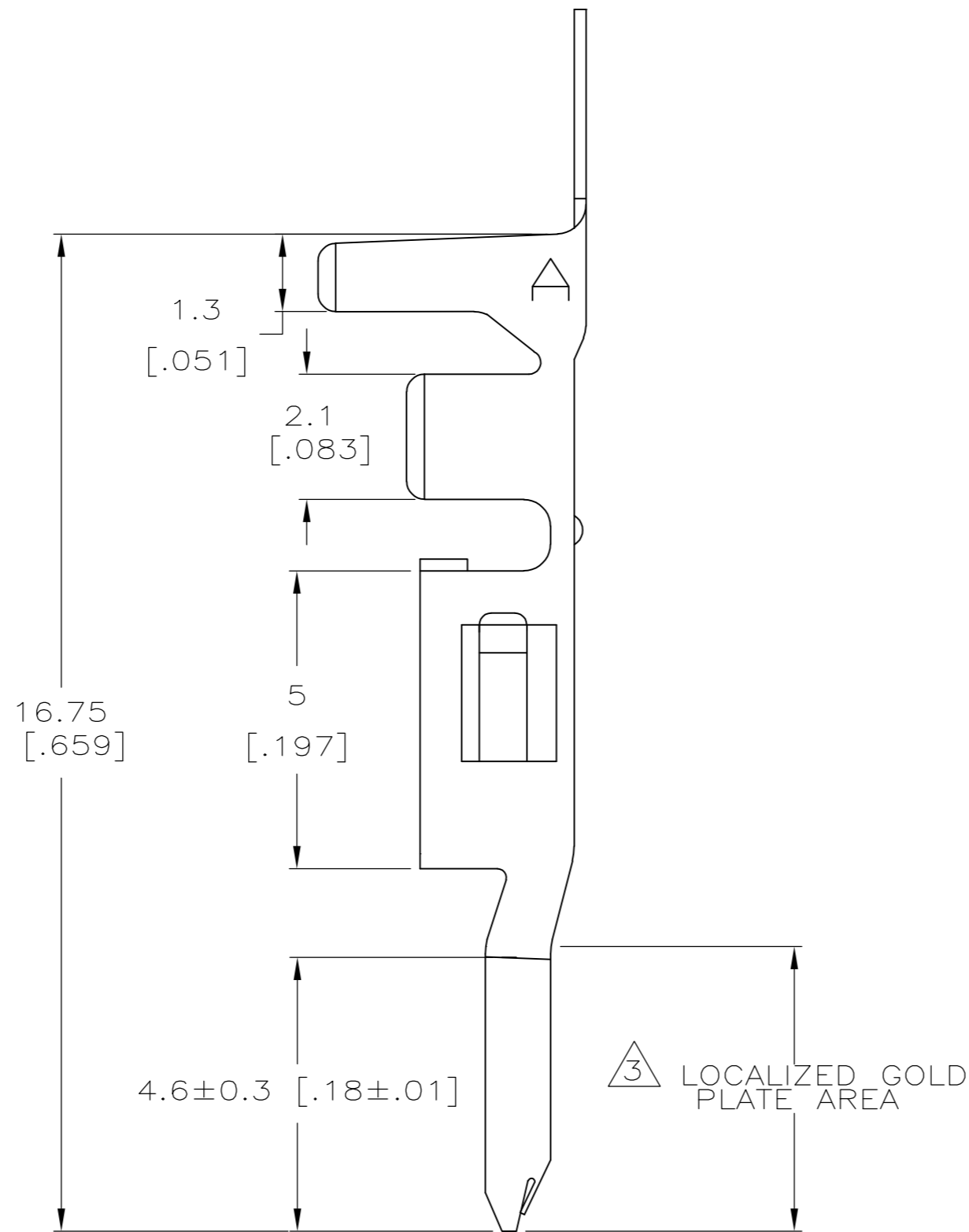
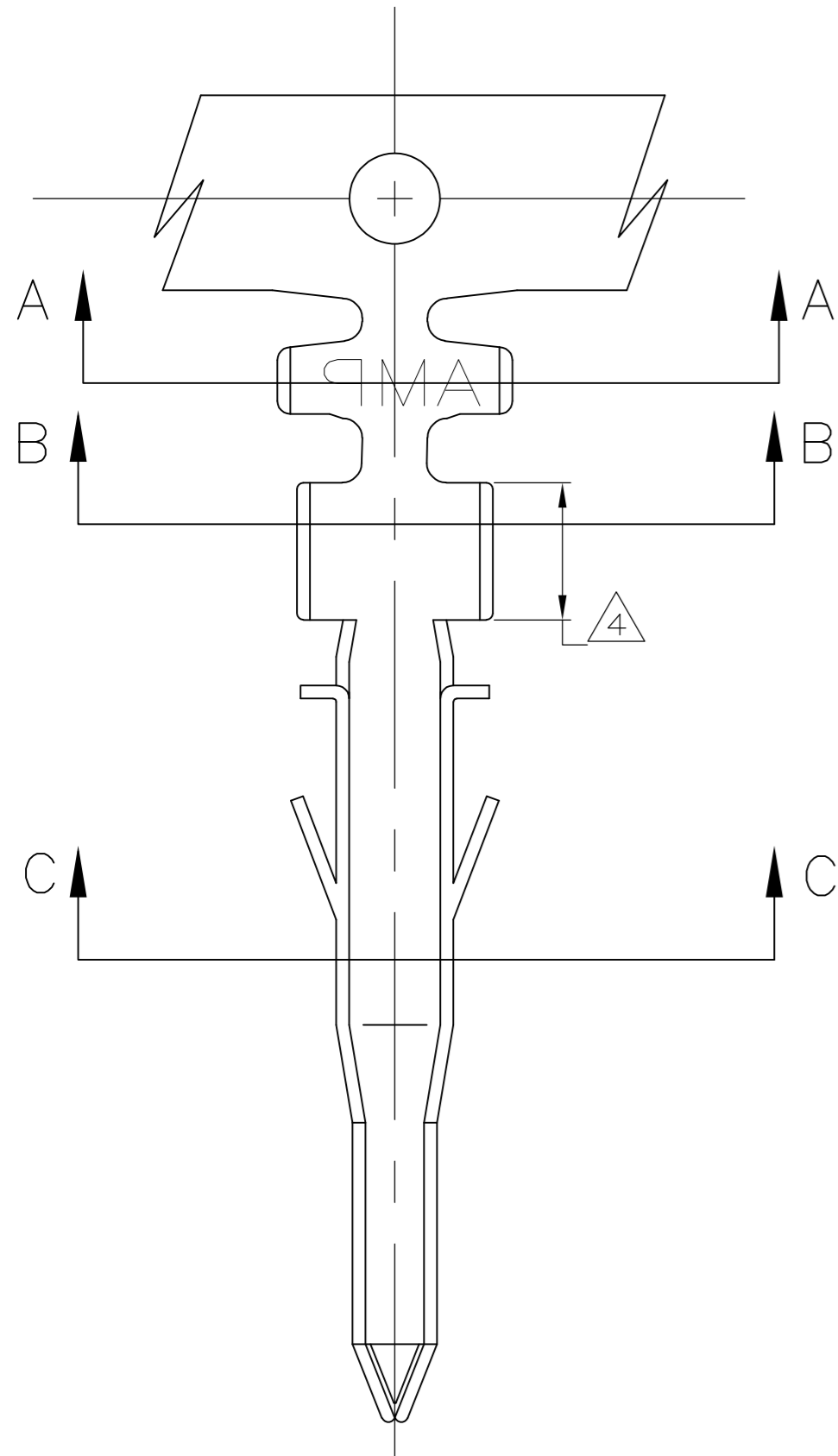


THIS DRAWING IS UNPUBLISHED. RELEASED FOR PUBLICATION  
 © COPYRIGHT BY TYCO ELECTRONICS CORPORATION. ALL RIGHTS RESERVED.

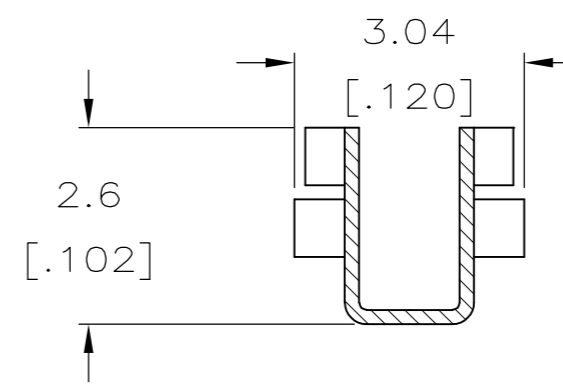
LOC	DIST	REVISIONS					
CM	00	P	LTR	DESCRIPTION	DATE	DWN	APVD
		C1		REVISED PER ECR-10-013247	25JUN10	HMR	KR

- 1 WIRE RANGE: 1.31mm<sup>2</sup> (16 AWG)
- 2 INSULATION RANGE: 3.10 [.122] DIA.
- △3 FINISH: 0.76µm [.000030 in] GOLD IN LOCALIZED GOLD PLATE AREA OVER 1.27µm [.00005 in] MINIMUM NICKEL.
- △4 FINISH: 2.54µm [.00001 in] MINIMUM TIN IN LOCALIZED TIN PLATE AREA.
- △5 FINISH: 2.54µm [.00001 in] MINIMUM PRE-TIN ALL OVER.



SECTION A-A

SECTION B-B



GOLD △3△4	PHOS. BRZ.	1586054-4
PRE-TIN △5	PHOS. BRZ.	1586054-3
GOLD △3△4	BRASS	1586054-2
PRE-TIN △5	BRASS	1586054-1
FINISH	MATERIAL	PART NO.

**METRIC**

THIS DRAWING IS A CONTROLLED DOCUMENT.		DWN S. HOOVER 17-NOV-2004	Tyco Electronics Corporation Harrisburg, PA 17105-3608	
DIMENSIONS: mm [INCHES]		CHK D. COLEY 17-NOV-2004	NAME D. COLEY	
TOLERANCES UNLESS OTHERWISE SPECIFIED: 0 PLC ± 1 PLC ± 2 PLC ± 0.13 [.005] 3 PLC ± 4 PLC ±		APVD D. COLEY 17-NOV-2004	PRODUCT SPEC	
MATERIAL		FINISH	APPLICATION SPEC	RESTRICTED TO
		WEIGHT	SCALE A2 00779 C=1586054	REV C1
		CUSTOMER DRAWING	SCALE 10:1	SHEET 1 of 1

1586054

# Mouser Electronics

Authorized Distributor

Click to View Pricing, Inventory, Delivery & Lifecycle Information:

[TE Connectivity:](#)

[1586054-1](#)