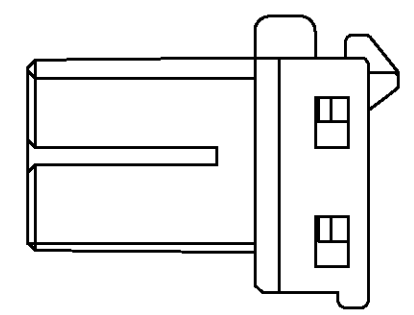
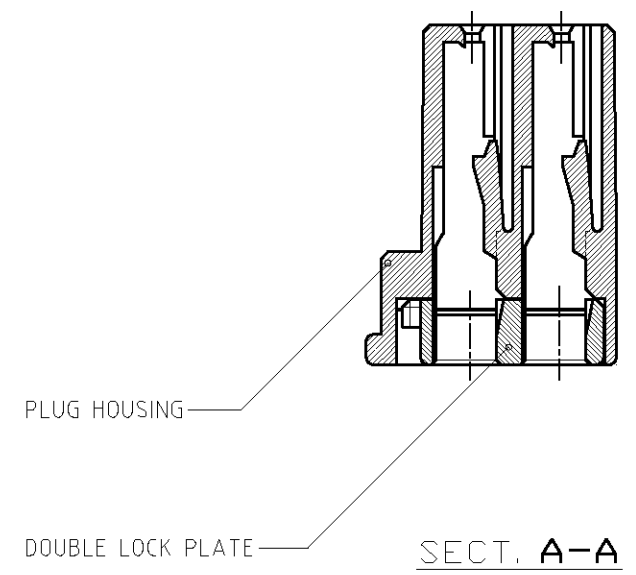
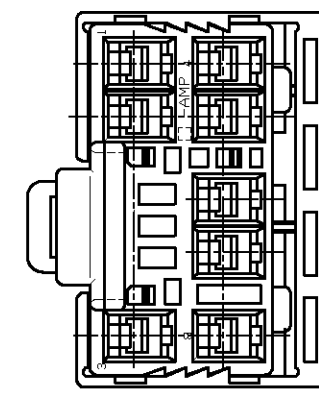
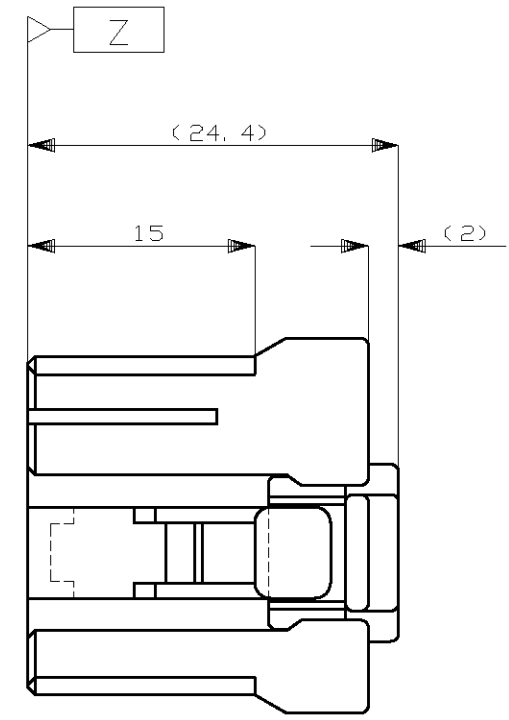
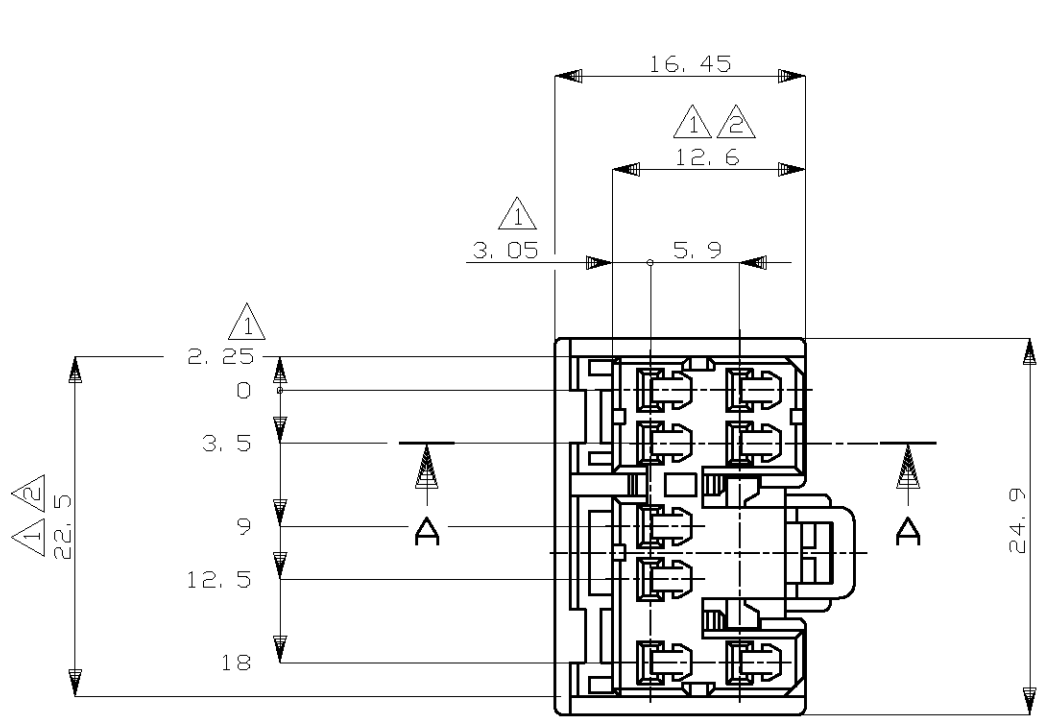


THIS DRAWING IS UNPUBLISHED. RELEASED FOR PUBLICATION
 © COPYRIGHT - By Tyco Electronics JAPAN G.K. ALL RIGHTS RESERVED.

LOC	DIST	REVISIONS			
P	LTR	DESCRIPTION	DATE	DWN	APVD
J	-	D REDRAWN W/O CHANGE	ECR-13-007083	30APR2013	TS KB



- ① TO BE MEASURED BETWEEN [Z] AND 2
 - ② TO BE MATE WITH CAP HOUSING SMOOTHLY
 - 3. APPLIED CONTACT PART NUMBER: 173630 AND 173631
 - 4. PRODUCT SPECIFICATION NUMBER: 108-5312
- ① [Z] 面より2mmの範囲で測定
 - ② 相手ハウジングと所定の機能を満足して嵌合できること
 - 3. 内装するリセパタクルコンタクト型番: 173630, 173631
 - 4. 製品規格番号: 108-5312

GRAY	176113-6
BLUE	176113-5
GREEN	176113-4
COLOR	PART NUMBER

一般公差
 (GENERAL TOLERANCE)
 10以下: ±0.2
 10を越え 30以下: ±0.25
 30を越え 100以下: ±0.3
 角度: ±3°

THIS DRAWING IS A CONTROLLED DOCUMENT.		DWN	Y.KAKITANI	12/3/90	TE Connectivity				
DIMENSIONS: mm		CHK	Y.MATSUSAKA	12/3/90					
TOLERANCES UNLESS OTHERWISE SPECIFIED:		APVD	M.NOGUCHI	12/3/90					
0 PLC ± - 1 PLC ± - 2 PLC ± - 3 PLC ± - 4 PLC ± - ANGLES ± -		PRODUCT SPEC	SEE NOTE 4						
MATERIAL	PBT	FINISH	-	APPLICATION SPEC	-	NAME	070 SERIES MULTI LOCK I/O CONNECTOR MK-II 8POSITION PLUG HOUSING ASSEMBLY		
CUSTOMER DRAWING		WEIGHT	4.6 g	SIZE	A3	CAGE CODE	00779	DRAWING NO	C-176113
		SCALE		2:1	SHEET		1 OF 1	REV	D

Mouser Electronics

Authorized Distributor

Click to View Pricing, Inventory, Delivery & Lifecycle Information:

[TE Connectivity:](#)

[176113-5](#)