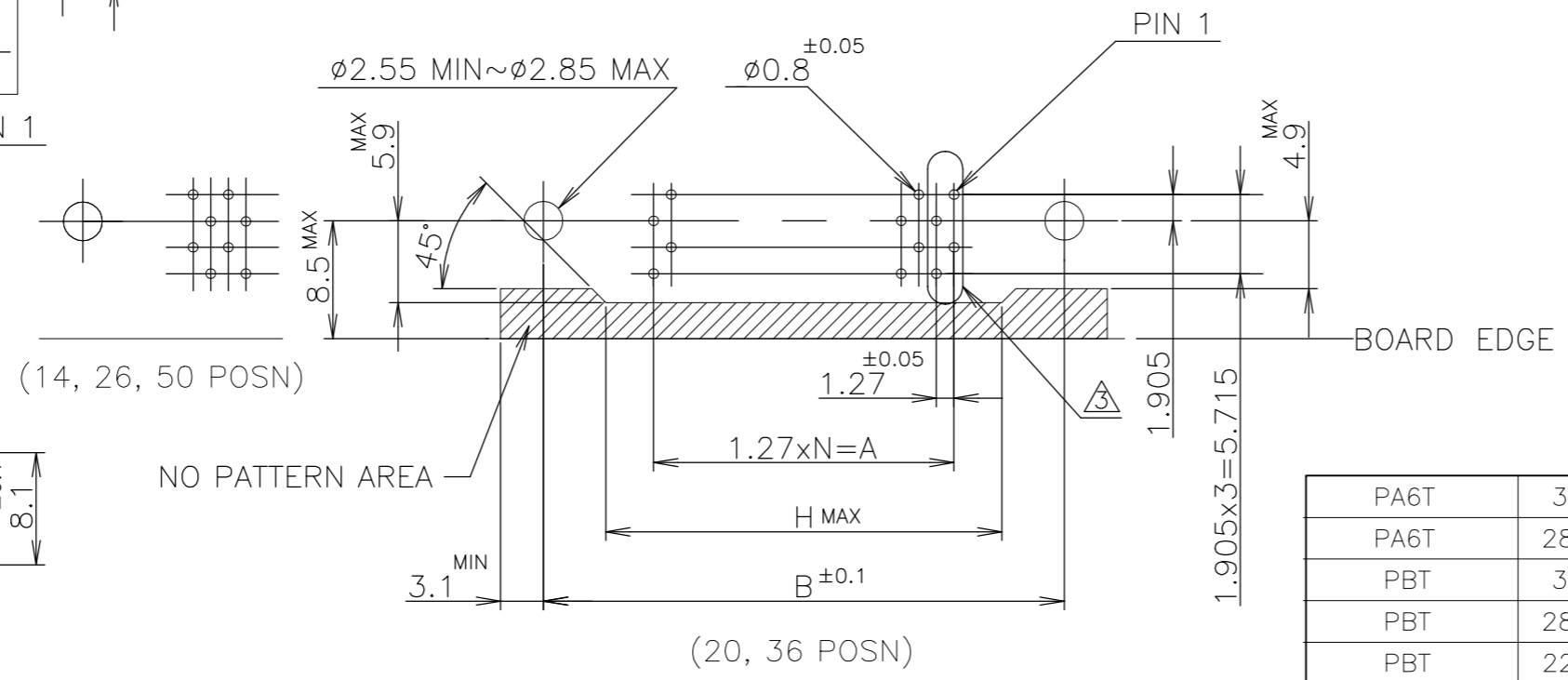
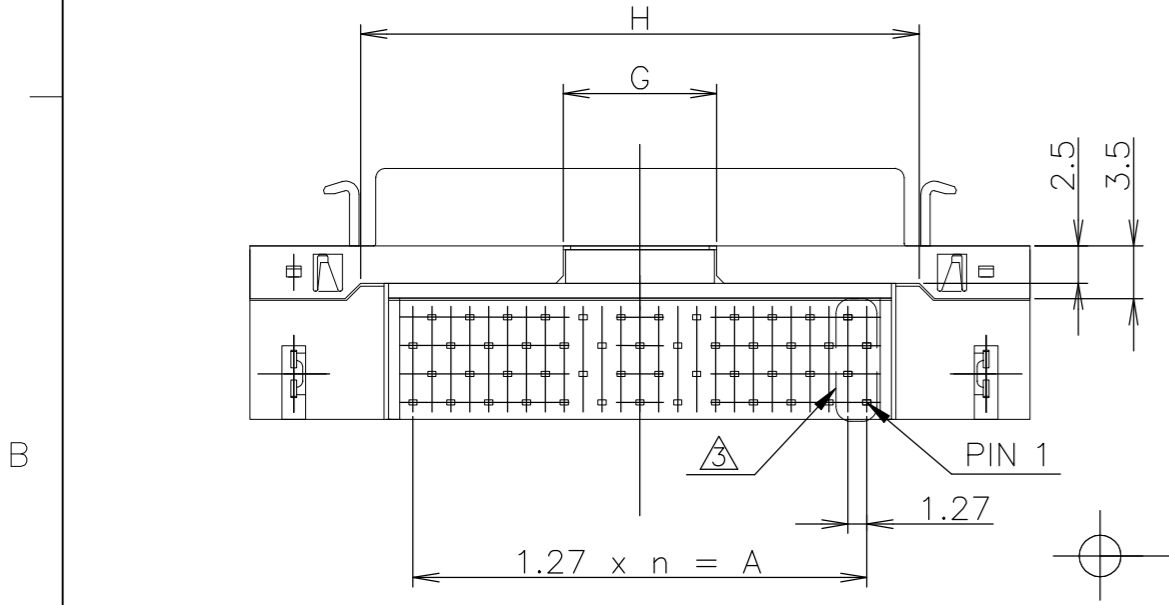
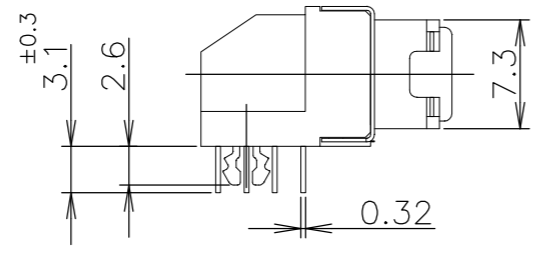
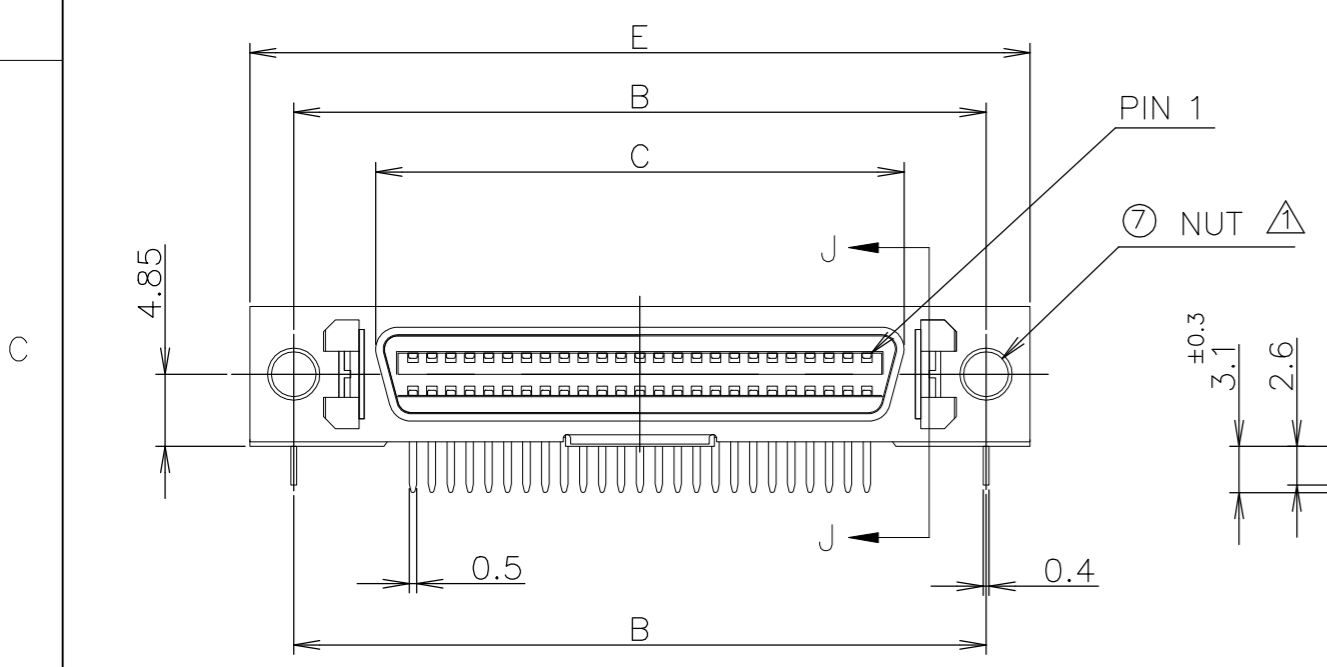
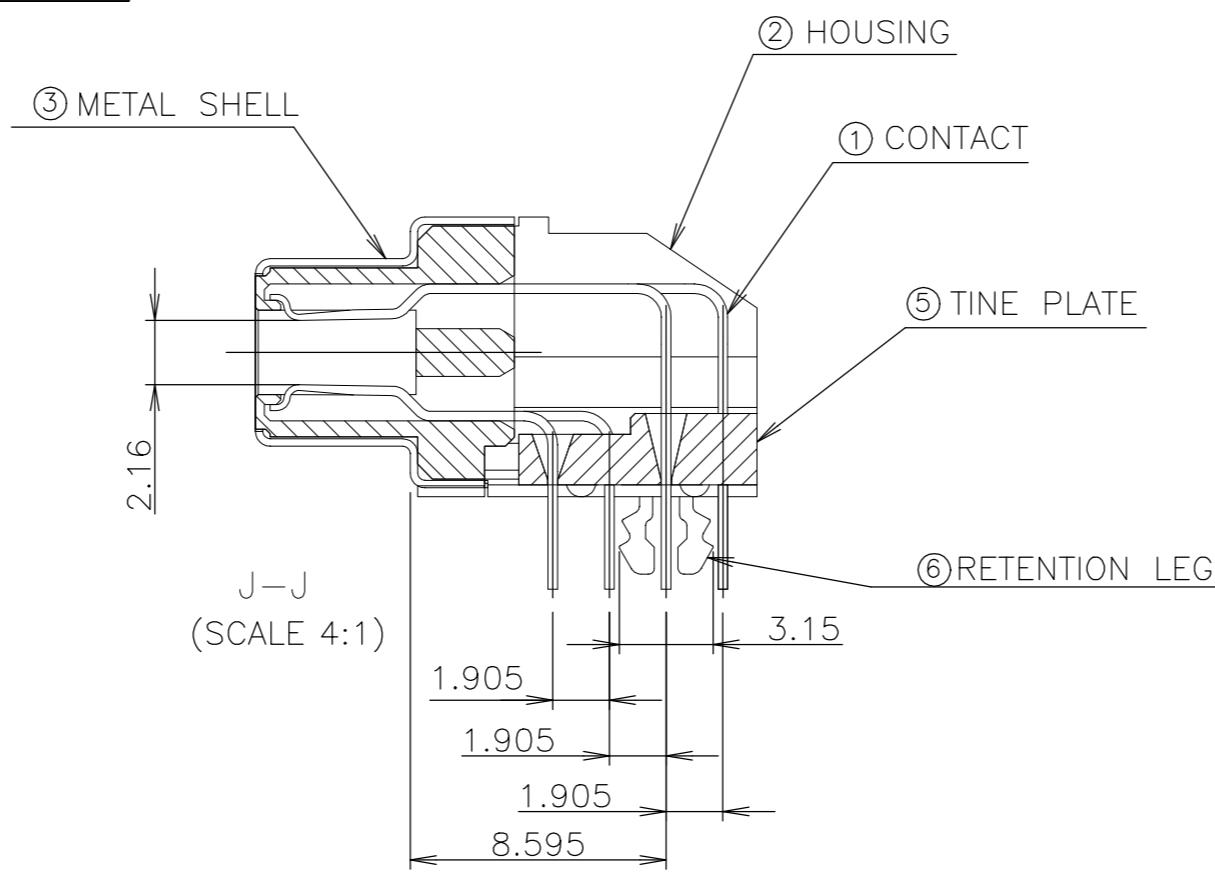
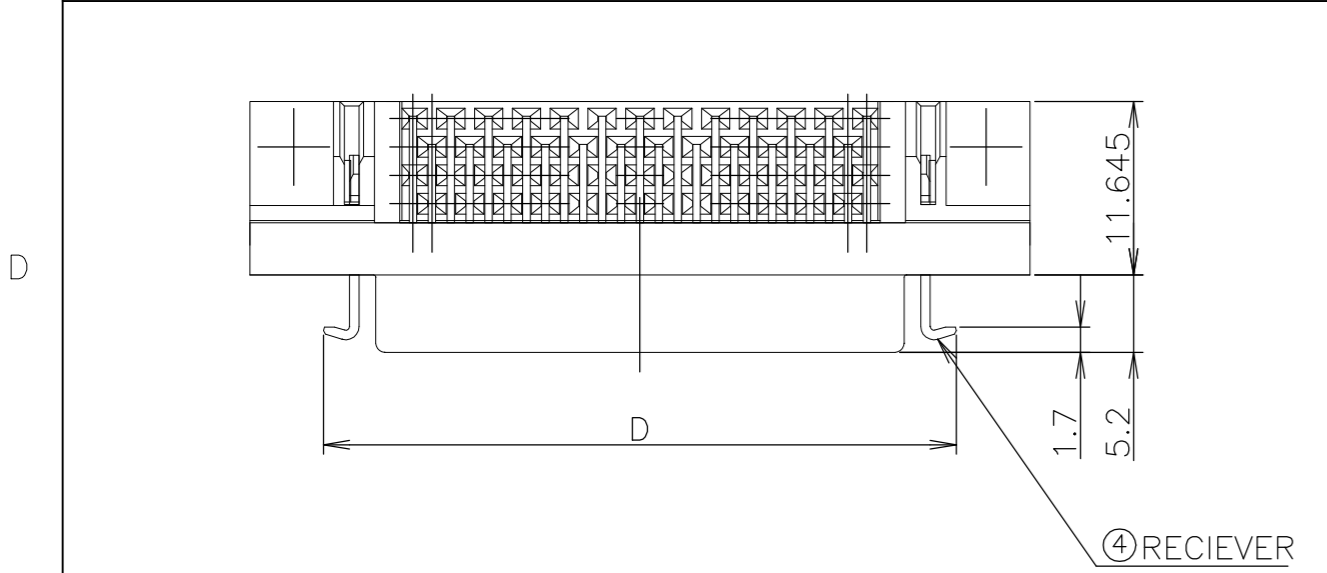


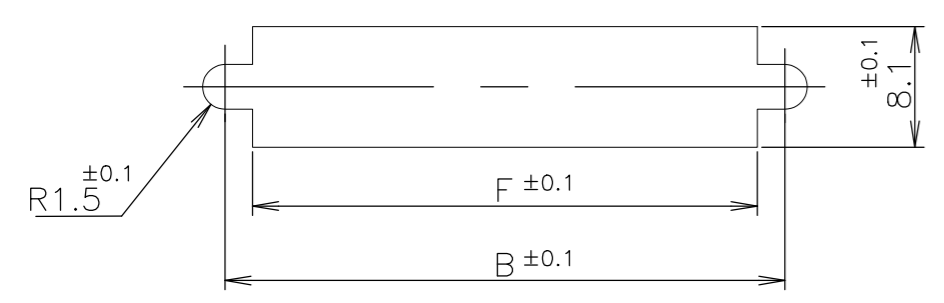
REVISIONS				
P	LTR	DESCRIPTION	DATE	DWN / APVD
R		REVISED PER ECO-17-008763	23JAN2018	RG / SH



ITEM	(MATERIAL)	(FINISH)
①	COPPER ALLOY	NICKEL UNDER PLATE ALL OVER CONTACT AREA : Au(0.0001) SOLDER TINE AREA ; TIN PLATE
② ⑤	PBT OR PA6T	COLOR : PBT BLACK PA6T NATURAL
③	STEEL THK0.25	NICKEL PLATE OVER COPPER UNDERPLATE
④	STAINLESS STEEL	
⑥	COPPER ALLOY	NICKEL UNDER PLATE ALL OVER. TIN PLATING ALL OVER.
⑦	STEEL	NICKEL PLATE OVER COPPER UNDERPLATE

△ RECOMMENDED SCREW SIZE ; M2.6 PANHEAD SCREW.(L=5)
 2 RECOMMENDED P.C BOARD THICKNESS ; 1.6mm±0.15
 △ POST PATTERN AS SHOWN ON THIS END FOR ALL POSITION.

LEAD FREE



RECOMENDED PANEL CUTOUT
THK,2mm MAX



RECOMENDED PC BOARD MOUNTING DIMMENSION
COMPONENT SIDE

PA6T	37.5	10.3	42.8	52.40	42.50	35.48	46.50	30.48	24	50	1-5917738-7
PA6T	28.61	8.3	33.9	43.51	33.61	26.59	37.61	21.59	17	36	1-5917738-5
PBT	37.5	10.3	42.8	52.40	42.50	35.48	46.50	30.48	24	50	5917738-7
PBT	28.61	8.3	33.9	43.51	33.61	26.59	37.61	21.59	17	36	5917738-5
PBT	22.26	8.3	27.6	37.16	27.26	20.24	31.26	15.24	12	26	5917738-4
OBSOLETE	PBT	18.45	8.3	23.8	33.35	23.45	27.45	11.43	9	20	5917738-2
OBSOLETE	PBT	14.64	8.3	19.9	29.54	19.64	23.64	7.62	6	14	5917738-1
HSG MAT'L	H	G	F	E	D	C	B	A	N	POSITION	PART NO.

THIS DRAWING IS A CONTROLLED DOCUMENT.

DIMENSIONS: 单位: 毫米 mm

TOLERANCES UNLESS OTHERWISE SPECIFIED: 一般公差

0 PLC ± 0.2
 1 PLC ± 0.2
 2 PLC ± 0.2
 3 PLC ± 0.2
 4 PLC ± 0.2
 ANGLES ± 3°

MATERIAL 材料 SEE TABLE

FINISH 仕上 SEE TABLE

DWN LEO ZHOU 30NOV04
 CHK STEVEN YAO 30NOV04
 APVD L ENOMOTO 30NOV04

NAME 名称
 PRODUCT SPEC 製品規格
 APPLICATION SPEC 取付適用規格

WEIGHT

CUSTOMER DRAWING

SCALE 尺度 2:1

SHEET 1 of 1

REV R

STE TE Connectivity Ltd.

CHAMP.050 SERIES (II)
FMS-TYPE

SIZE A2 CAGE CODE 00779 DRAWING NO. 5917738

Mouser Electronics

Authorized Distributor

Click to View Pricing, Inventory, Delivery & Lifecycle Information:

[TE Connectivity:](#)

[5917738-5](#)