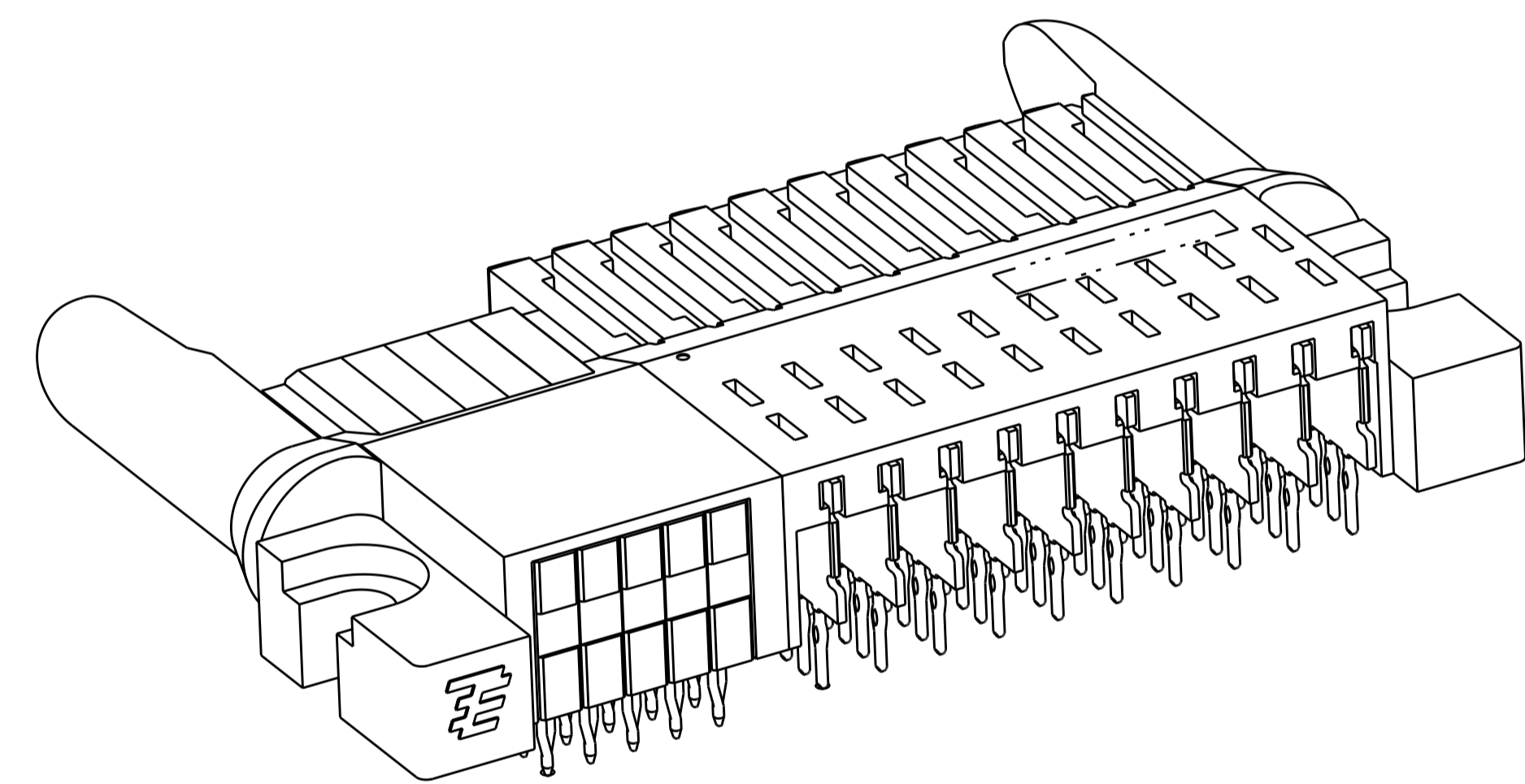
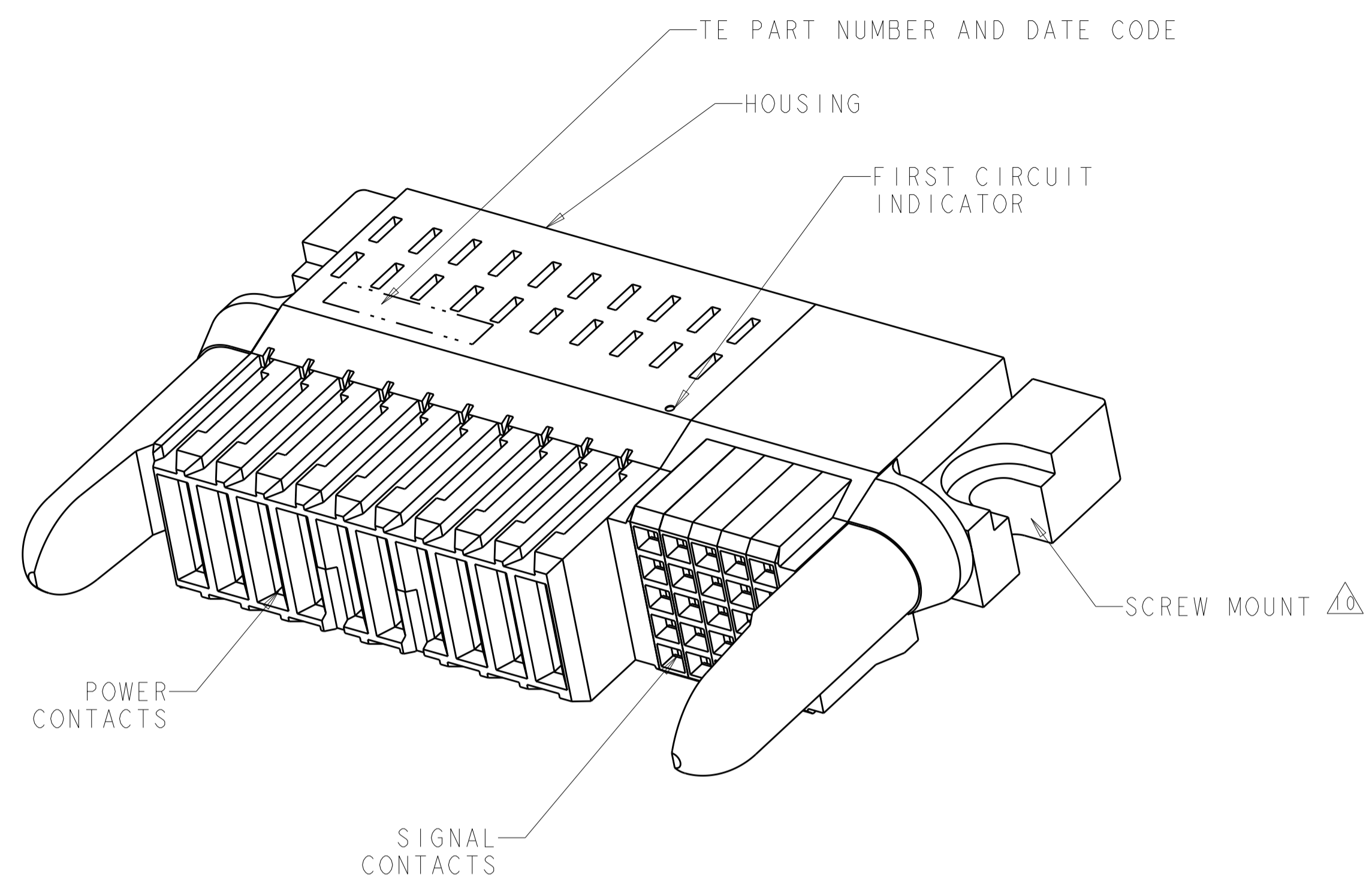


LOC		DIST		REVISIONS			
P	LTN	DESCRIPTION	DATE	OWN	APVD		
A2		REV PER ECO-13-015117	16SEP2013	OL	SZ		
A3		ADD NEW PART 6--2	18NOV2013	OL	SZ		
A4		ECR-15-001425	19JAN2015	SZ	SZ		



**2-1926739-5 SHOWN**

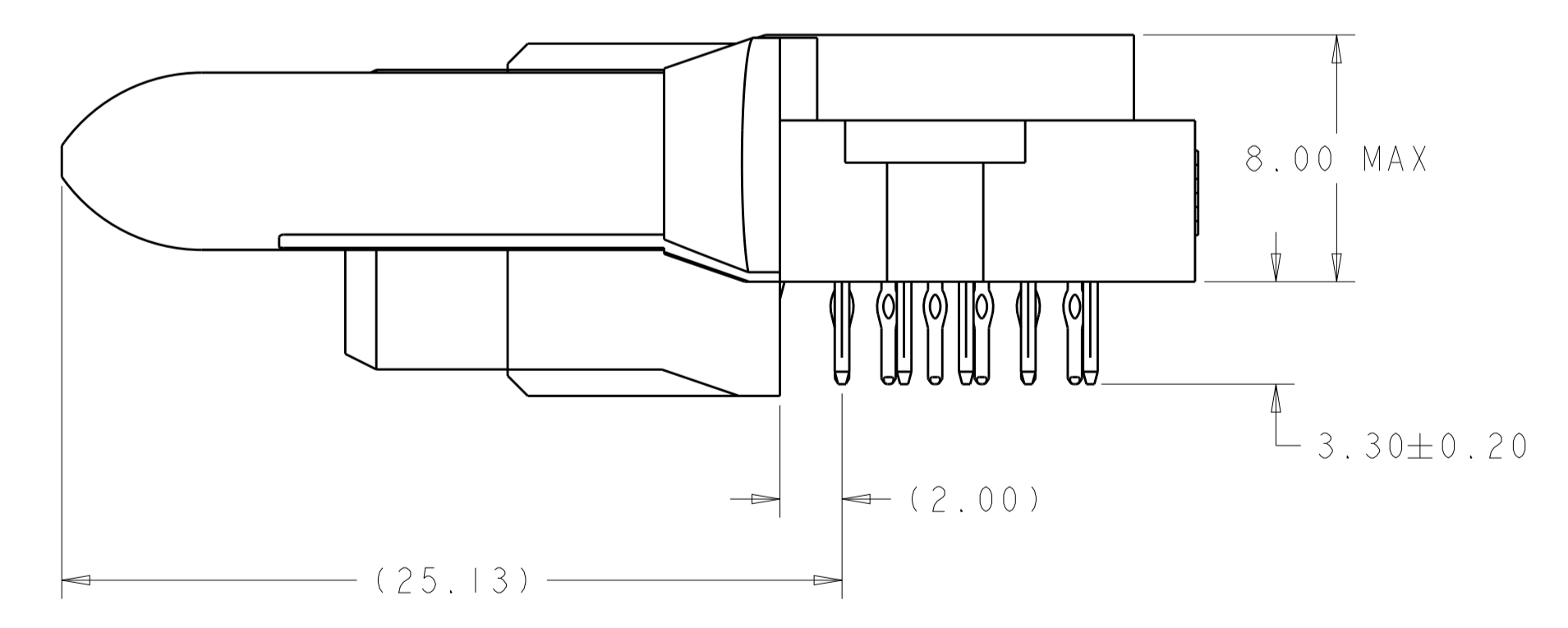
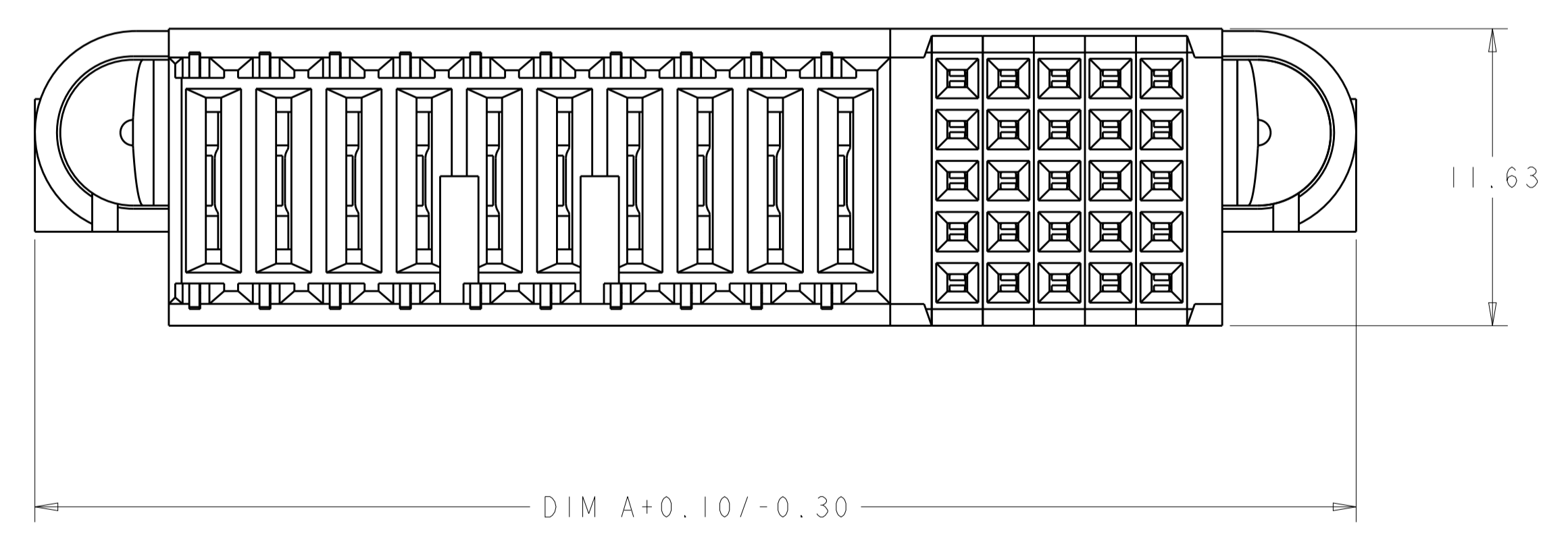
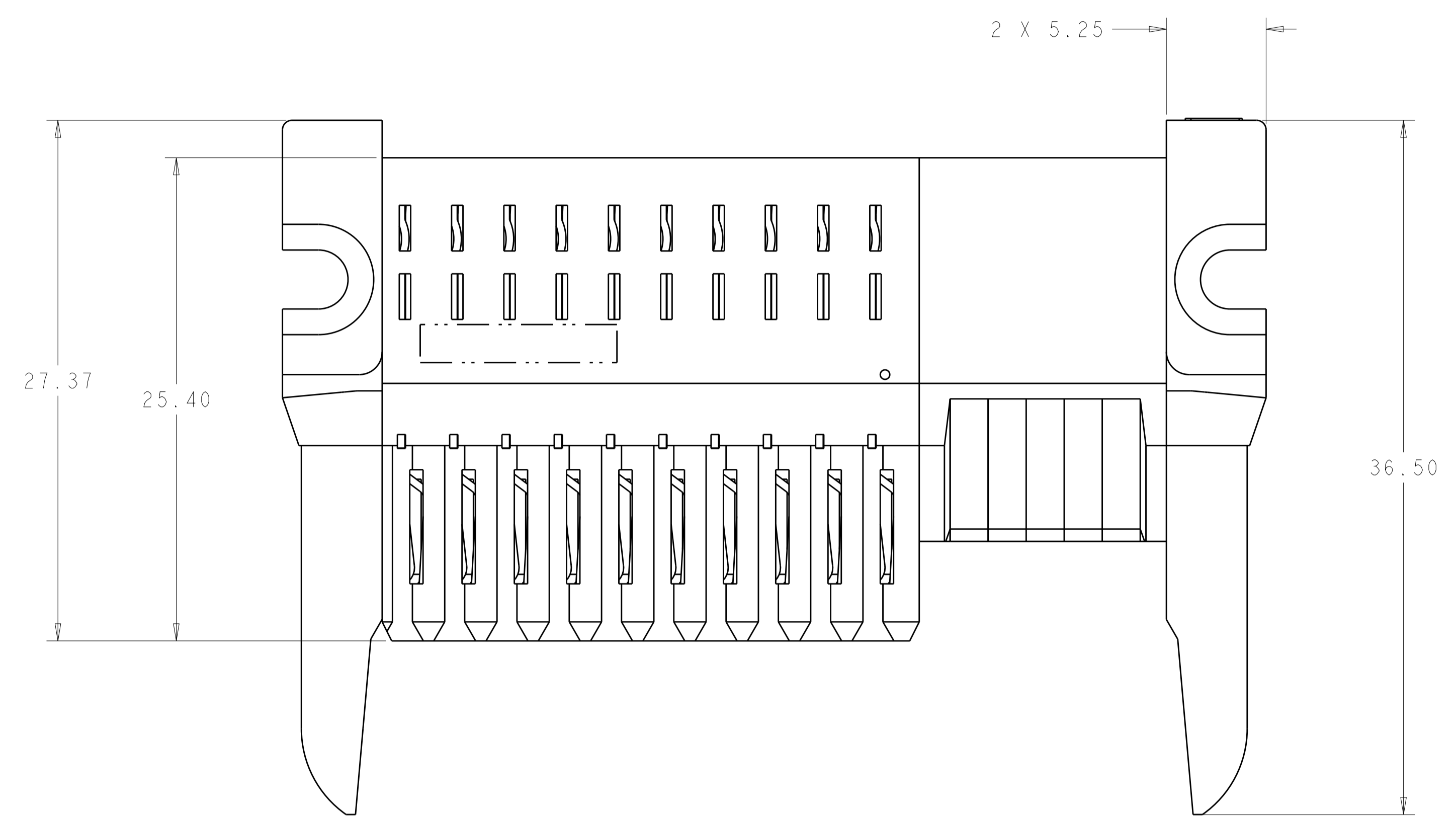
- HOUSING: GLASS FILLED LIQUID CRYSTAL POLYMER, COLOR: BLACK, UL 94 V-0 RATED  
 SIGNAL CONTACT: PHOSPHOR BRONZE  
 SIGNAL OVERMOLD: GLASS FILLED POLYESTER  
 POWER CONTACT: COPPER ALLOY
  - SIGNAL CONTACT: 0.00127mm MIN NICKEL ALL OVER,  
 MATING AREA: 0.00008mm MIN GOLD OVER  
 0.00076mm MIN PALLADIUM-NICKEL  
 TAIL AREA: 0.0005mm MIN MATTE TIN  
  
 POWER CONTACT: 0.00127mm MIN NICKEL ALL OVER,  
 MATING AREA: 0.00008mm MIN GOLD OVER  
 0.00076mm MIN PALLADIUM-NICKEL,  
 TAIL AREA: 0.0005mm MIN MATTE TIN
  - CONTACT MATING AREA LUBRICATED WITH BELLCORE APPROVED LUBRICANT,  
 TECHNICAL REFERENCE: GR-1217-CORE, ISSUE 1, NOVEMBER 1995
  - THIS CONNECTOR EMPLOYS UL RECOGNIZED Z-PACK 2mm HM SIGNAL CONTACTS
- △ DATUMS AND BASIC DIMENSIONS TO BE ESTABLISHED BY CUSTOMER
- △ PC BOARD THICKNESS 1.4mm MIN, FOR WAVE SOLDER PC BOARD THICKNESS 2.62 MAX
- △ SEE APPLICATION SPEC 114-13215 FOR PLATED THROUGH HOLE INFORMATION
8. SEE CUSTOMER DRAWING 1926730 OR 1926732 FOR MATING CONNECTOR
- △ UNPLATED HOLES
- △ #4-40 UNC PAN HEAD SCREW WITH HEX NUT, NOT SHOWN, SUPPLIED BY CUSTOMER

12	15	1	2	21.94	25.74	15S X 2P	8-1926739-0
144	40	23	7	92.44	96.24	40S X 24P	7-1926739-7
120	35	19	6	79.44	83.24	35S X 20P	6-1926739-2
108	35	17	6	73.94	77.74	35S X 18P	5-1926739-5
96	25	15	4	64.44	68.24	25S X 16P	4-1926739-6
72	15	11	2	49.44	53.24	15S X 12P	3-1926739-0
48	20	7	3	40.44	44.24	20S X 8P	1-1926739-1
72	25	11	4	51.44	57.24	25S X 12P	1926739-9
48	25	7	4	42.44	46.24	25S X 8P	1-1926739-8
36	20	5	3	36.74	40.54	20S X 6P	1-1926739-0
60	25	9	4	47.94	51.74	25S X 10P	2-1926739-5
F PLC	E PLC	D SPACES	C SPACES	DIM B	DIM A	NO OF POSITIONS	PART NUMBER

DIMENSIONS: mm 		TOLERANCES UNLESS OTHERWISE SPECIFIED: 0 PLC ± 1 PLC ±0.13 2 PLC ± 3 PLC ± 4 PLC ± ANGLES ±		DIMENSIONS: DIM B DIM A NO OF POSITIONS PART NUMBER	
MATERIAL: SEE NOTE 1 FINISH: SEE NOTE 2		DIMENSIONS: DIM B DIM A NO OF POSITIONS PART NUMBER		DIMENSIONS: DIM B DIM A NO OF POSITIONS PART NUMBER	

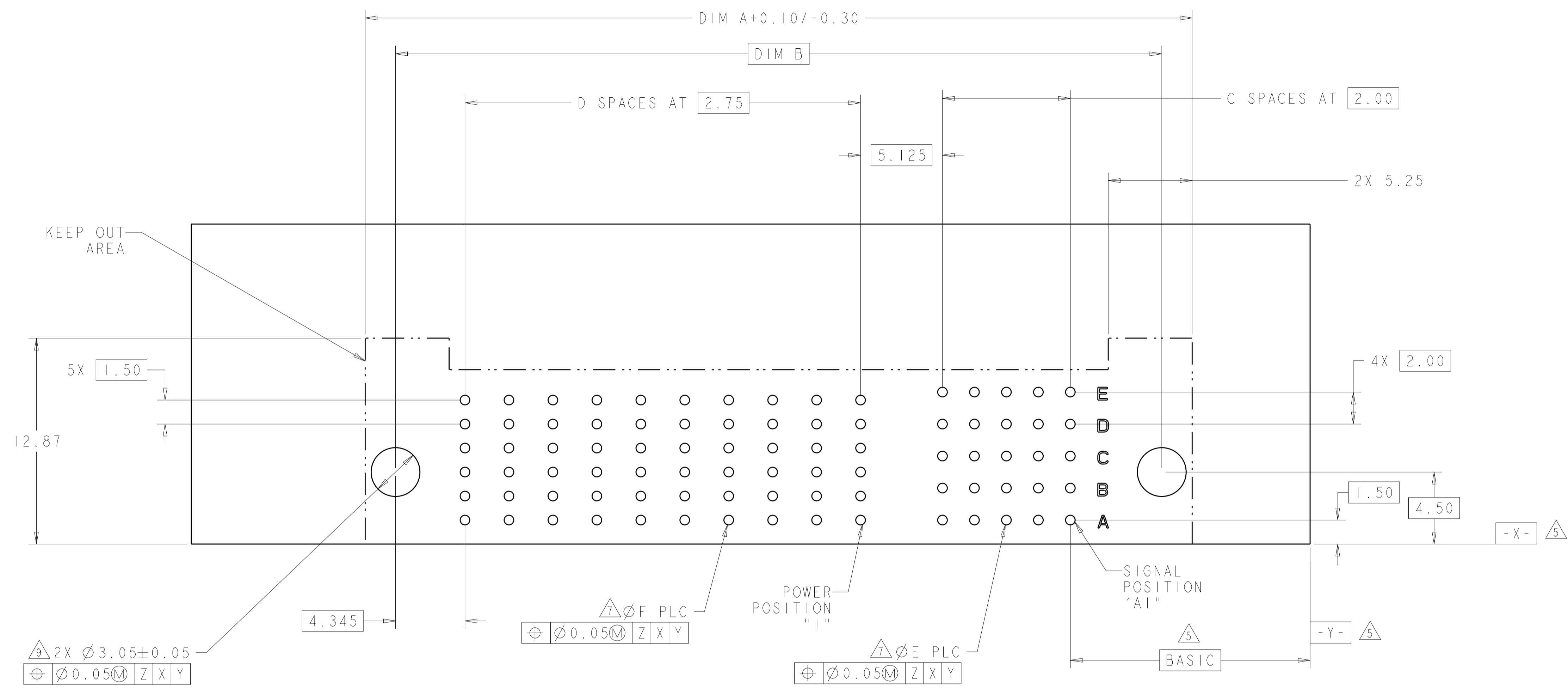
Customer Drawing SCALE 3:1 SHEET 1 OF 3 REV A4

LOC		DIST		REVISIONS			
P	LTN	DESCRIPTION	DATE	DMN	APVD		
-	-	SEE SHEET 1	-	-	-		



DIMENSIONS:		TOLERANCES UNLESS OTHERWISE SPECIFIED:		DWG: ORANDO LL 28OCT2011		Tyco Electronics Shanghai, PR 200233	
mm		0 PLC	±	CHK: SUNY ZHAO 28OCT2011		NAME: RECEPTACLE ASSEMBLY, RIGHT ANGLE, PASSIVE GUIDE, SIGNAL/POWER, WITH SCREW MOUNT, MINIPAK HDL	
		1 PLC	±0.13	APVD: SUNY ZHAO 28OCT2011		SIZE: A	RESTRICTED TO
		2 PLC	±	PRODUCT SPEC: 108-2325		CAGE CODE: 114-13215	DRAWING NO: 1926739
		3 PLC	±	APPLICATION SPEC: 114-13215		WEIGHT: -	SCALE: 3:1
		4 PLC	±	FINISH: SEE NOTE 2		Customer Drawing	SHEET 2 OF 3
MATERIAL: SEE NOTE 1		ANGLES	±				REV: A4

LOC	DIST	REVISIONS			
P	LTH	DESCRIPTION	DATE	DWN	APVD
-	-	SEE SHEET 1	-	-	-



**2-1926739-5 SHOWN**  
**RECOMMENDED PRINTED CIRCUIT BOARD LAYOUT**  
 (AS VIEWED FROM COMPONENT SIDE)

<small>THIS DRAWING IS UNPUBLISHED. RELEASED FOR PUBLICATION BY TYCO ELECTRONICS CORPORATION. ALL RIGHTS RESERVED.</small>		DWN: ORANDO LI 28OCT2011 CHK: SUNY ZHAO 28OCT2011 APVD: SUNY ZHAO 28OCT2011	Tyco Electronics Shanghai, PR 200233
DIMENSIONS: mm 	TOLERANCES UNLESS OTHERWISE SPECIFIED: 0 PLC ± 1 PLC ±0.13 2 PLC ± 3 PLC ± 4 PLC ± ANGLES ±	NAME: RECEPTACLE ASSEMBLY, RIGHT ANGLE, PASSIVE GUIDE, SIGNAL/POWER, WITH SCREW MOUNT, MINIPAK HDL PRODUCT SPEC: 108-2325 APPLICATION SPEC: 114-13215 WEIGHT: -	SIZE: A1 CAGE CODE: 00779 DRAWING NO: C=1926739 RESTRICTED TO: -
MATERIAL: SEE NOTE 1 FINISH: SEE NOTE 2	SCALE: 3:1 SHEET: 3 OF 3 REV: A4	Customer Drawing	DATE: - DWN: - APVD: -

# Mouser Electronics

Authorized Distributor

Click to View Pricing, Inventory, Delivery & Lifecycle Information:

[TE Connectivity:](#)

[3-1926739-0](#)