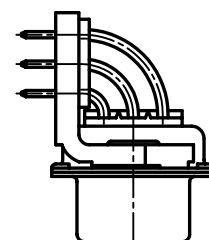
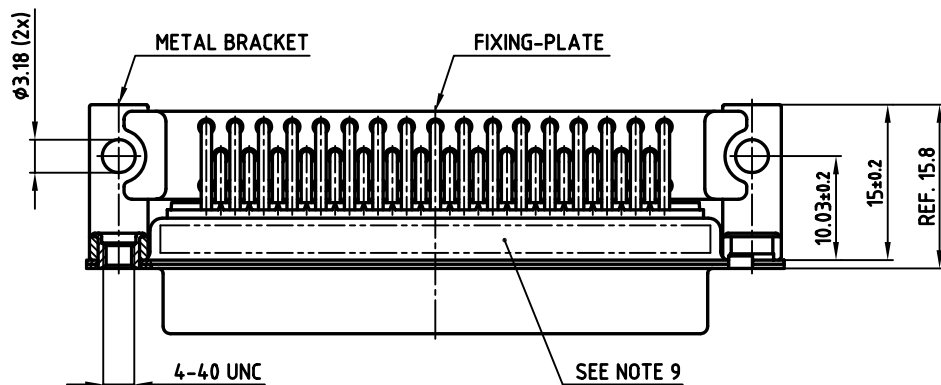
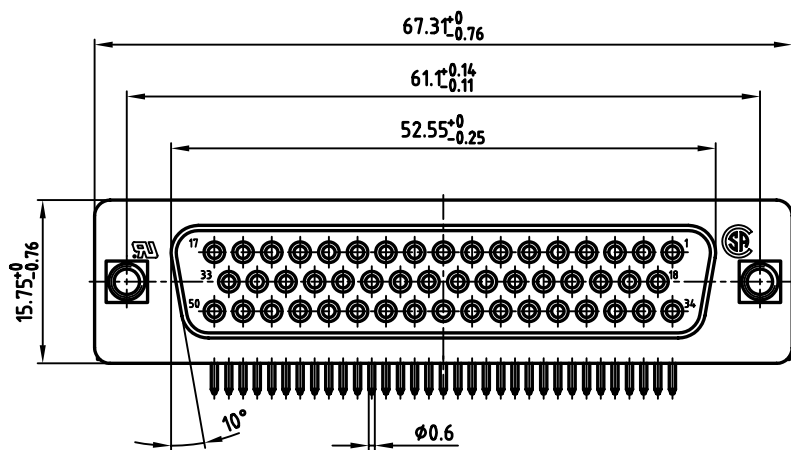
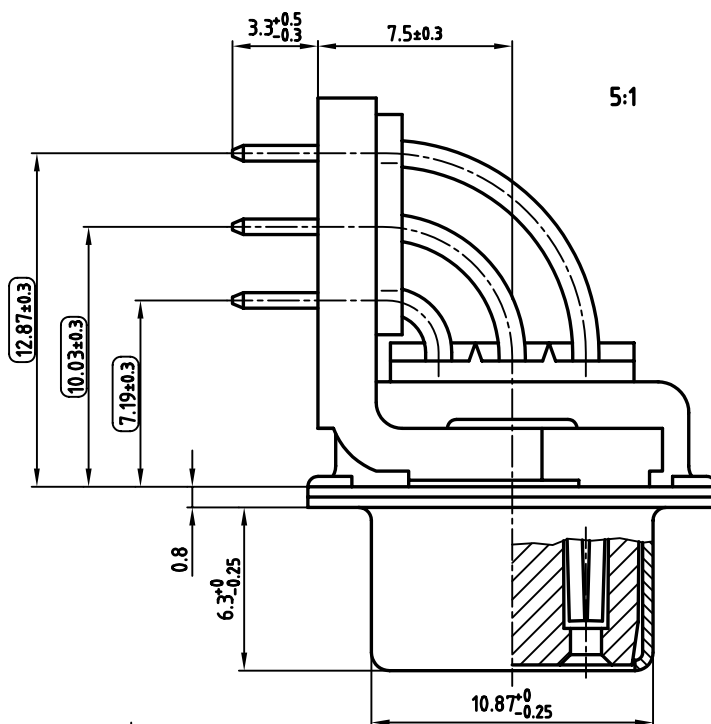


used for: D-SUB

NOTES:

1. METALSHELLS: STEEL; min. 320µ" TIN
2. INSULATORS: PBT GF UL 94 V-0, BLACK
3. CONTACTS: COPPER ALLOY
PLATING: 8µ" HARD GOLD OVER min. 50µ" NICKEL
4. METAL BRACKET: STEEL; min. 320µ" TIN over 80µ" NICKEL
5. THREADED INSERT: COPPER ALLOY; min. 200µ" TIN over 80µ" NICKEL
6. FIXING-PLATE: PBT GF UL 94 V-0, BLACK
7. P.C.B. HOLE DRILLINGS ON SHEET 2
8. MAXIMUM TORQUE VALUE FOR THREAD: 6" LBS
9. CONNECTOR IS PART MARKED: 164A18969X CONEC ABC
10. = CHECK DIMENSION



Directive 2002/95/EC
 „RoHS“
 Compliant

APPROVAL * FREIGABE * DEBLOCAGE * AUTORIZACION * APPROVAL	
CUSTOMER APPROVAL DATE:	
NAME:	TITLE:
COMPANY NAME:	
APPROVAL * FREIGABE * DEBLOCAGE * AUTORIZACION * APPROVAL	

THIS DRAWING MAY NOT BE COPIED OR REPRODUCED IN ANY WAY, AND MAY NOT BE PASSED ON TO A THIRD PARTY, WITHOUT WRITTEN PERMISSION. OWNERSHIP AND COPYRIGHT OF CONEC Gmbh DO NOT ALTER CAD DRAWING BY HAND			
a	Origin	date	name

tolerance		scale:	2:1 (5:1)
	dim. in mm	material:	SEE NOTES
2006	date	name	title:
drawn	27.01.	Lehmenkühler	D-SUB FEMALE 90° 50pos. 0.318inch threaded insert, metal bracket, fixing-plate
appd.	27.01.	Mickenbecker	
norm	DIN 41652		dwg no:
d-old			AutoCAD 2004
			DIN-A
			3
			sh:1/2
			part no: 164A18969X

6

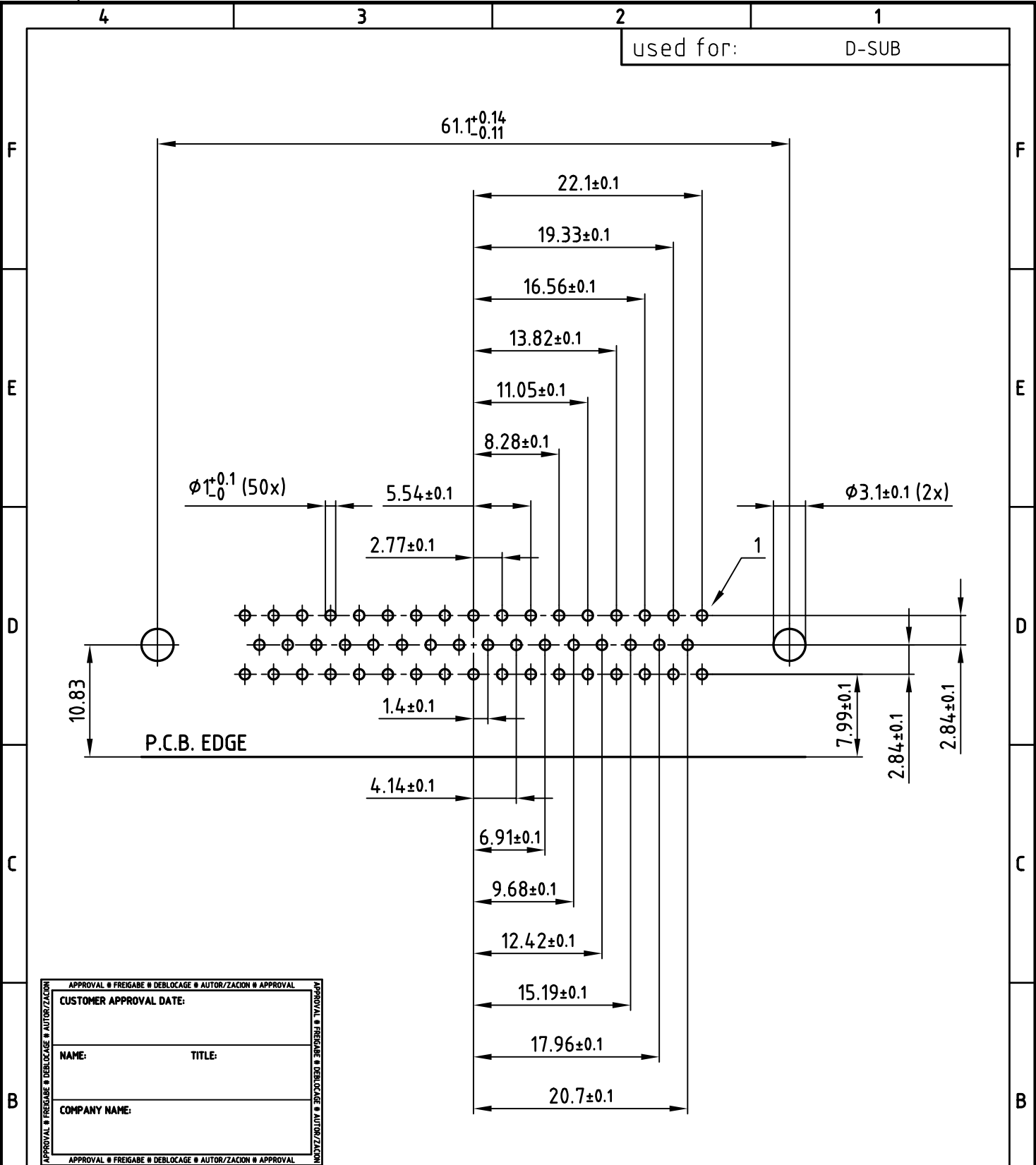
5

4

2

1

used for: D-SUB



APPROVAL # FREIGABE # DEBLOCAGE # AUTOR/ZACION # APPROVAL	
CUSTOMER APPROVAL DATE:	
NAME:	TITLE:
COMPANY NAME:	
APPROVAL # FREIGABE # DEBLOCAGE # AUTOR/ZACION # APPROVAL	

THIS DRAWING MAY NOT BE COPIED OR REPRODUCED IN ANY WAY, AND MAY NOT BE PASSED ON TO A THIRD PARTY WITHOUT WRITTEN PERMISSION.
 OWNERSHIP AND COPYRIGHT OF CONEC GmbH
 DO NOT ALTER CAD DRAWING BY HAND

tolerance			scale: 2:1
dim. in mm			material: SEE SHEET 1
2006	date	name	title: P.C.B. HOLE DRILLINGS D-SUB FEMALE 90° 50pos. 0.318inch threaded insert, metal bracket, fixing-plate
drawn	27.01.	Lehmenkühler	
appd.	27.01.	Mickenbecker	
norm	DIN 41652		
d-old			
a	Origin		dwg no: AutoCAD
rev.	description	date	name
			DIN-A 4
			sh:2/2
		part no: SEE SHEET 1	

4

3

2

1

Mouser Electronics

Authorized Distributor

Click to View Pricing, Inventory, Delivery & Lifecycle Information:

[CONEC:](#)

[164A18969X](#)