

| SIZE | Part Num. | Threading | Headscrew | Packaging |
|------|----------------|-----------|-----------|-------------------|
| 25 | 8655MH2501BLF | UNC 4.40 | Black | BULK (see note 1) |
| | 8655MH2501BKLF | UNC 4.40 | Black | KIT (see note 2) |
| | 8655MH2502BLF | M3 | Grey | BULK |
| | 8655MH2502BKLF | M3 | Grey | KIT |

NOTES:

Material and finish: Zinc die-cast
Nickel plated

Cable strain relief: Polycarbonate (UL94V-0)

Jackscrews:

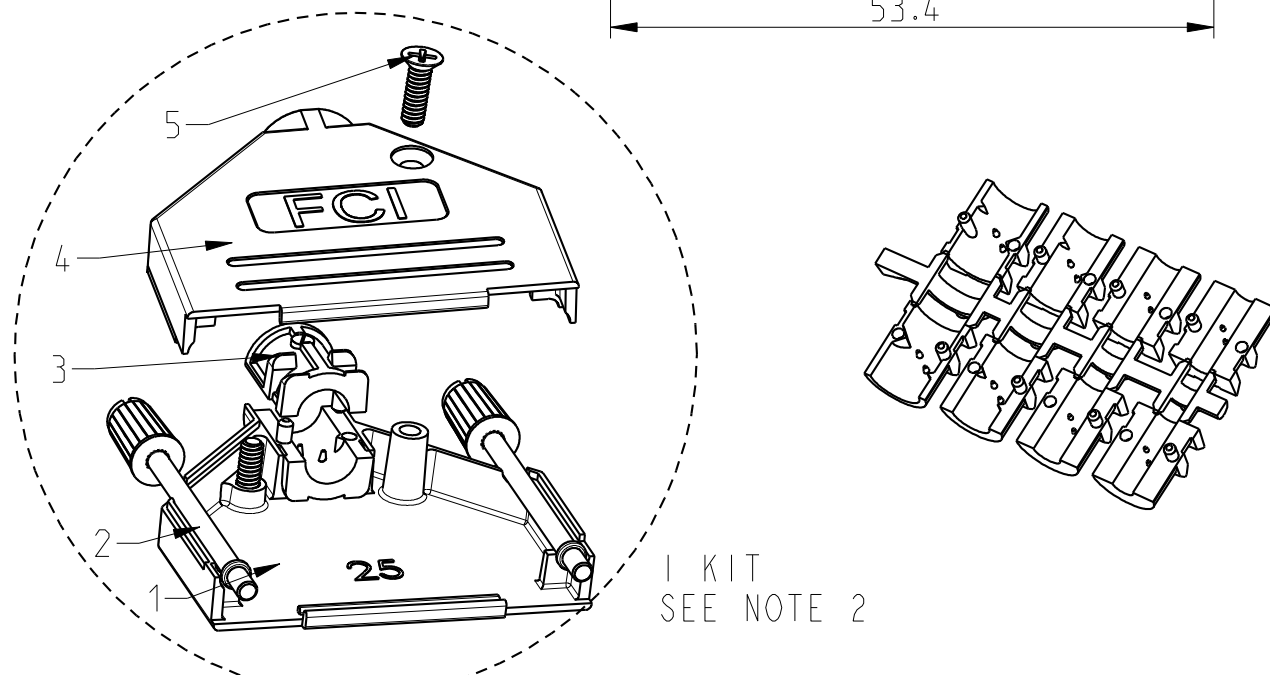
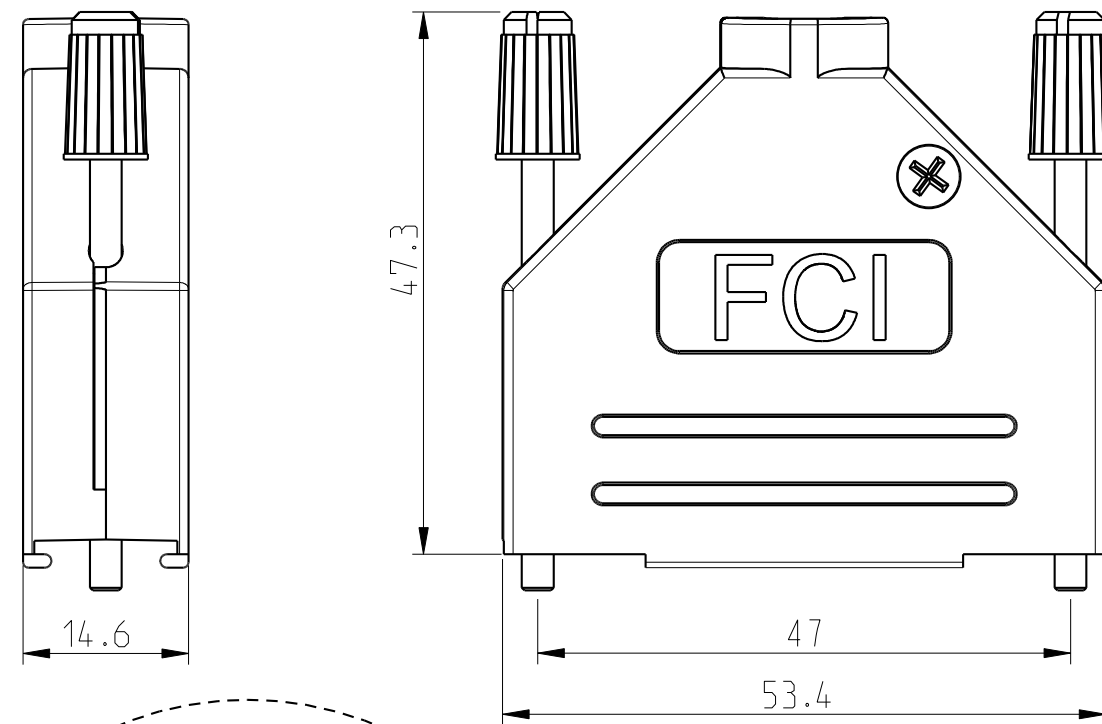
- Headscrew : plastic, color according threading
- Body : metal, threading according tables

Temperature range: -40°C to 120°C
Cable diameter: 4,0 to 13,0mm
Attenuation factor: >40 dB between 30MHz and 1 GHz
Marking FCI logo: Height 6 mm for all versions

Covers screwing force (max): 100 Ncm
Jackscrew screwing force (max): 50 Ncm

Packaging notes (see tables):

- 1 - Bulk : Every spare part packaged per 100 or 200 into plastic bag.5 plastic bags per carton box. 1 plastic bag per part.
- 2 - Kit : 1 set of spare parts necessary to realise 1 kit into a plastic bag. 100 plastic bags per carton box.



NOTE:RoHS INFORMATIONS

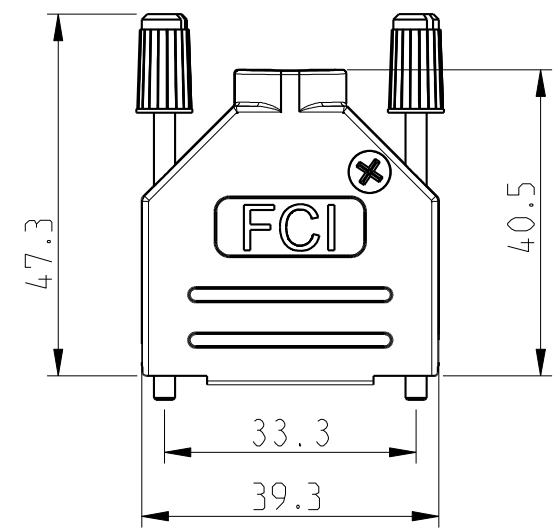
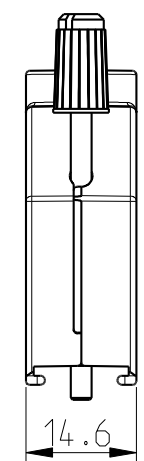
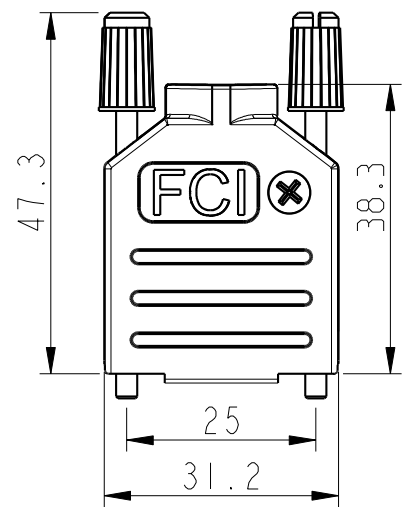
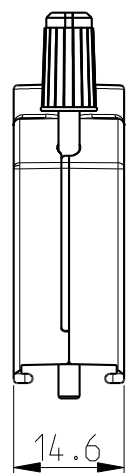
- The "LF" product meets European union Directives and other country regulations as described in GS-22-008.
- The product is not intended to be exposed to a manufacturing solder process.
- Packaging spec: see GS-14-920.

| DESIGNATION | REP. | 09 | 15 | 25 | 37 |
|-----------------|------|----|----|----|----|
| COVER BOTTOM | 1 | | 1 | | |
| JACKSCREW | 2 | | 2 | | |
| STRAIN RELIEF | 3 | | 2 | | |
| COVER TOP | 4 | | 1 | | |
| SCREW POZIDRIVE | 5 | | 2 | | |

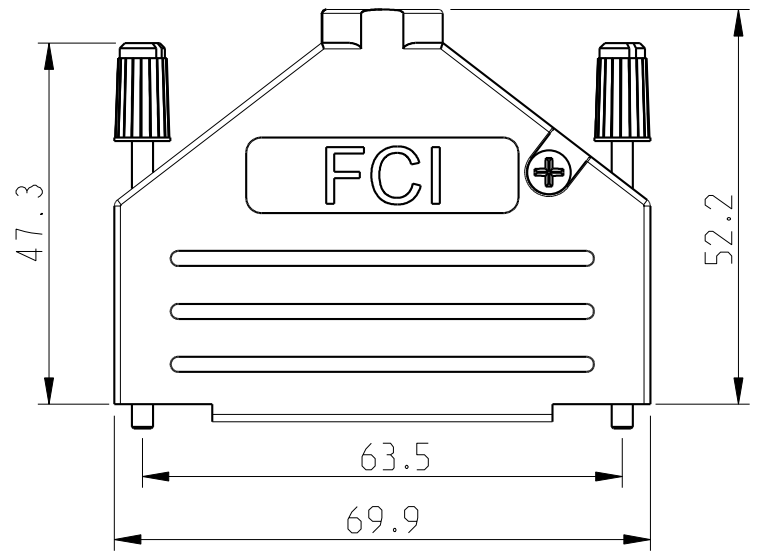
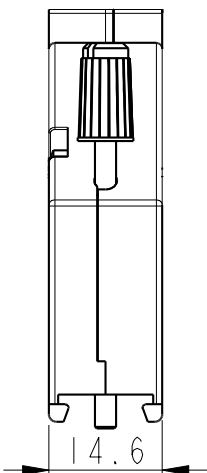
| | | | | | | | | | |
|-----------------------------------|---------|---------------|-------------------|----------------|----------|-----------------|---------------|-----------------------|----------|
| spec ref | dr | A Parrenin | 2009/05/20 | projection | mm | size | A3 | scale | 3:2 |
| tolerance std | eng | D Detouillon | 2017/01/16 | | | ecn no | ELX-F-25931-1 | rel level | Released |
| ISO 406 ISO 1101 | chr | J Dallbard | 2017/01/16 | | | | | | |
| GENERAL TOLERANCES: ISO 2768-m | appr | Aymeric Soudy | 2017/01/17 | product family | | dwg no | 10085962 | rev | F |
| surface | | | D-SUB METAL HOODS | | cat. no. | | | | |
| ISO 1302 | linear | 0.X | ±/ | www.fci.com | | STATUS:Released | | Printed: Jan 18, 2017 | |
| | angular | 0° | ±/° | PDS: Rev :F | | STATUS:Released | | Printed: Jan 18, 2017 | |

| SIZE | Part Num. | Threading | Headscrew | Packaging |
|------|----------------|-----------|-----------|-------------------|
| 09 | 8655MH0901BLF | UNC 4.40 | Black | BULK (see note 1) |
| | 8655MH0901BKLF | UNC 4.40 | Black | KIT (see note 2) |
| | 8655MH0902BLF | M3 | Grey | BULK |
| | 8655MH0902BKLF | M3 | Grey | KIT |

| SIZE | Part Num. | Threading | Headscrew | Packaging |
|------|----------------|-----------|-----------|-------------------|
| 15 | 8655MH1501BLF | UNC 4.40 | Black | BULK (see note 1) |
| | 8655MH1501BKLF | UNC 4.40 | Black | KIT (see note 2) |
| | 8655MH1502BLF | M3 | Grey | BULK |
| | 8655MH1502BKLF | M3 | Grey | KIT |



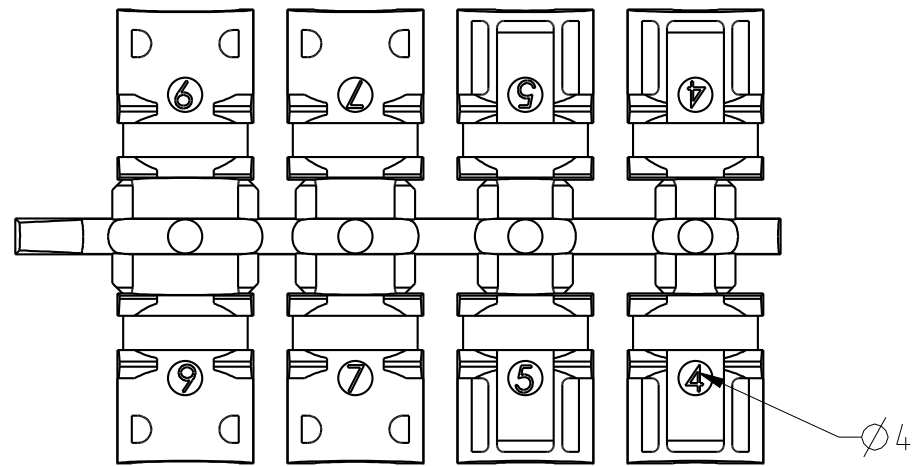
| SIZE | Part Num. | Threading | Headscrew | Packaging |
|------|----------------|-----------|-----------|-------------------|
| 37 | 8655MH3701BLF | UNC 4.40 | Black | BULK (see note 1) |
| | 8655MH3701BKLF | UNC 4.40 | Black | KIT (see note 2) |
| | 8655MH3702BLF | M3 | Grey | BULK |
| | 8655MH3702BKLF | M3 | Grey | KIT |



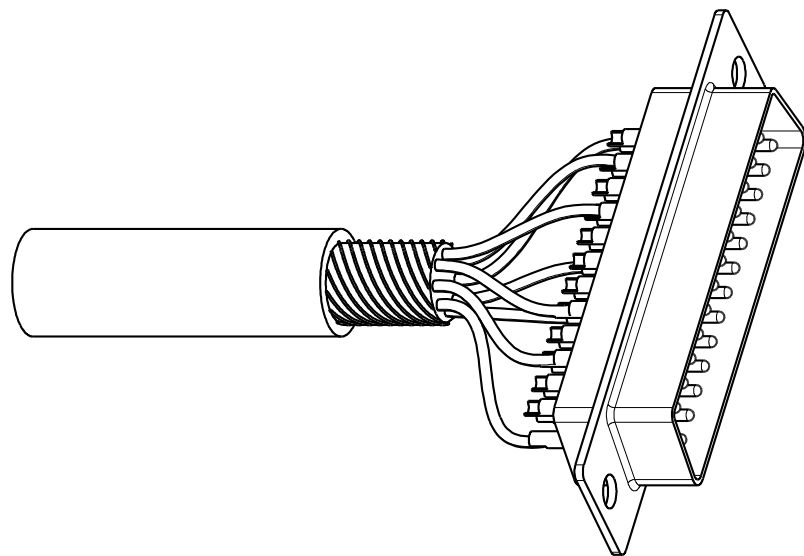
| | | | | | | | | | |
|---------------------|---------|---------------|------------|--|----------|------------------------|---------------|-----------|----------|
| spec ref | dr | A Parrenin | 2009/05/20 | projection | mm | size | A3 | scale | 1:1 |
| tolerance std | eng | D Detouillon | 2017/01/16 | | | ecn no | ELX-F-25931-1 | rel level | Released |
| ISO 406 ISO 1101 | chr | J Dalibard | 2017/01/16 | | | | | | |
| surface | appr | Aymeric Soudy | 2017/01/17 | Amphenol FCI D-SUB METAL HOODS STRAIGHT | | rel level | Released | rel level | Released |
| ISO 1302 | linear | 0.X | ±/ | www.fci.com | cat. no. | Product - Customer Drw | sheet 2 of 3 | rel level | Released |
| | angular | 0° | ±/° | | | | | | |

CABLING INSTRUCTIONS FOR CABLE \varnothing 4, 5, 7 or 9 mm

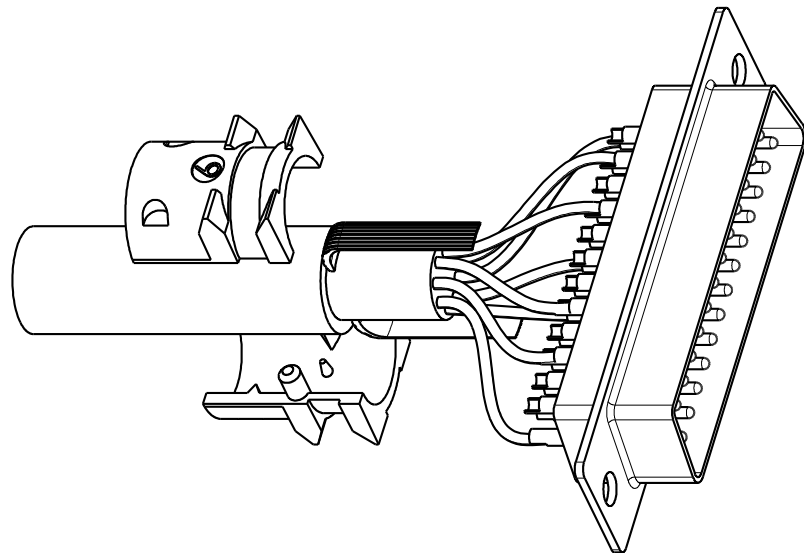
1- Use two halves of strain relief, different sizes can be mixed (\varnothing 4,5,7 or 9)



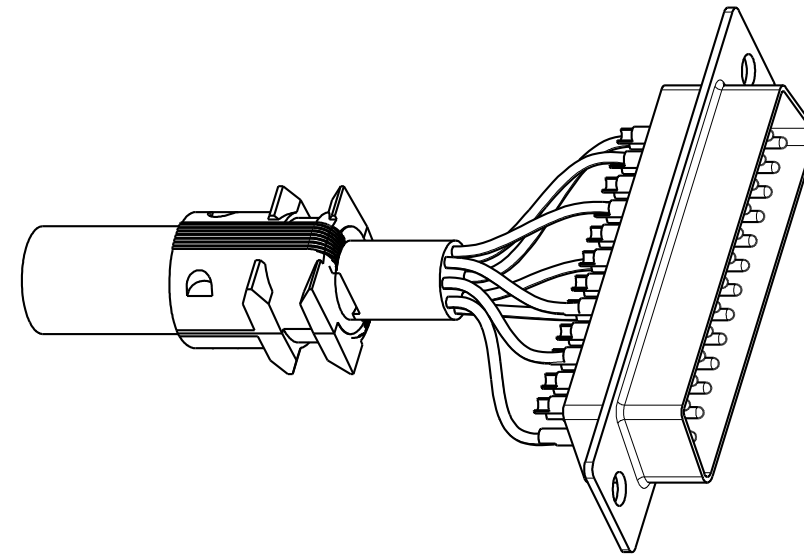
2- Strip cable 18mm and shape to two pigtails



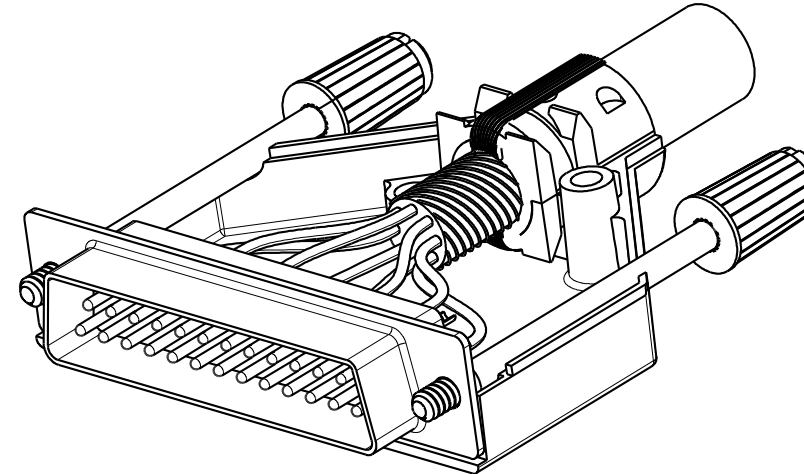
3- Attach the strain relief around the cable



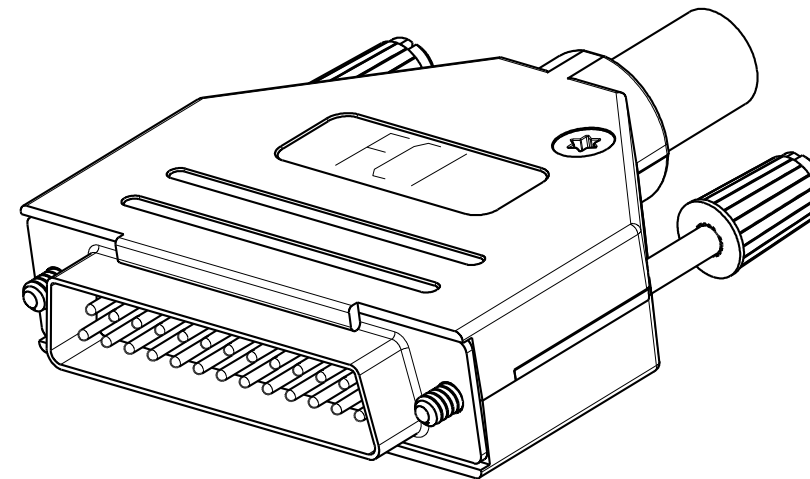
4- Bend cable shielding back on outside of strain relief



5- Mount connector and cable into the backshell



6- Assemble the other half screwing force: 100 Ncm



CABLING INSTRUCTIONS FOR CABLE

\varnothing > 9 to 11 mm

1- Use one half of strain relief, (\varnothing 9).

| | | | | | | | | | |
|---------------------|---------|--------------|------------|-------------|----------|------------------------|---------------|----------|-----|
| spec ref | dr | A Parrenin | 2009/05/20 | projection | mm | size | A3 | scale | 3:2 |
| tolerance std | eng | D Detouillon | 2017/01/16 | | | ecn no | ELX-F-25931-1 | | |
| ISO 406 ISO 1101 | chr | J Dalibard | 2017/01/16 | | | | rel level | Released | |
| surface | linear | 0.X | ±/ | | | dwg no | 10085962 | | rev |
| | | 0.XX | ±/ | | | | F | | |
| ISO 1302 | angular | 0° | ±/° | www.fci.com | cat. no. | Product - Customer Drw | sheet 3 of 3 | | |

Mouser Electronics

Authorized Distributor

Click to View Pricing, Inventory, Delivery & Lifecycle Information:

[FCI / Amphenol:](#)

[8655MH0901BLF](#) [8655MH1501BLF](#) [8655MH2501BKLF](#) [8655MH1501BKLF](#) [8655MH3702BKLF](#) [8655MH0902BKLF](#)
[8655MH2502BKLF](#)