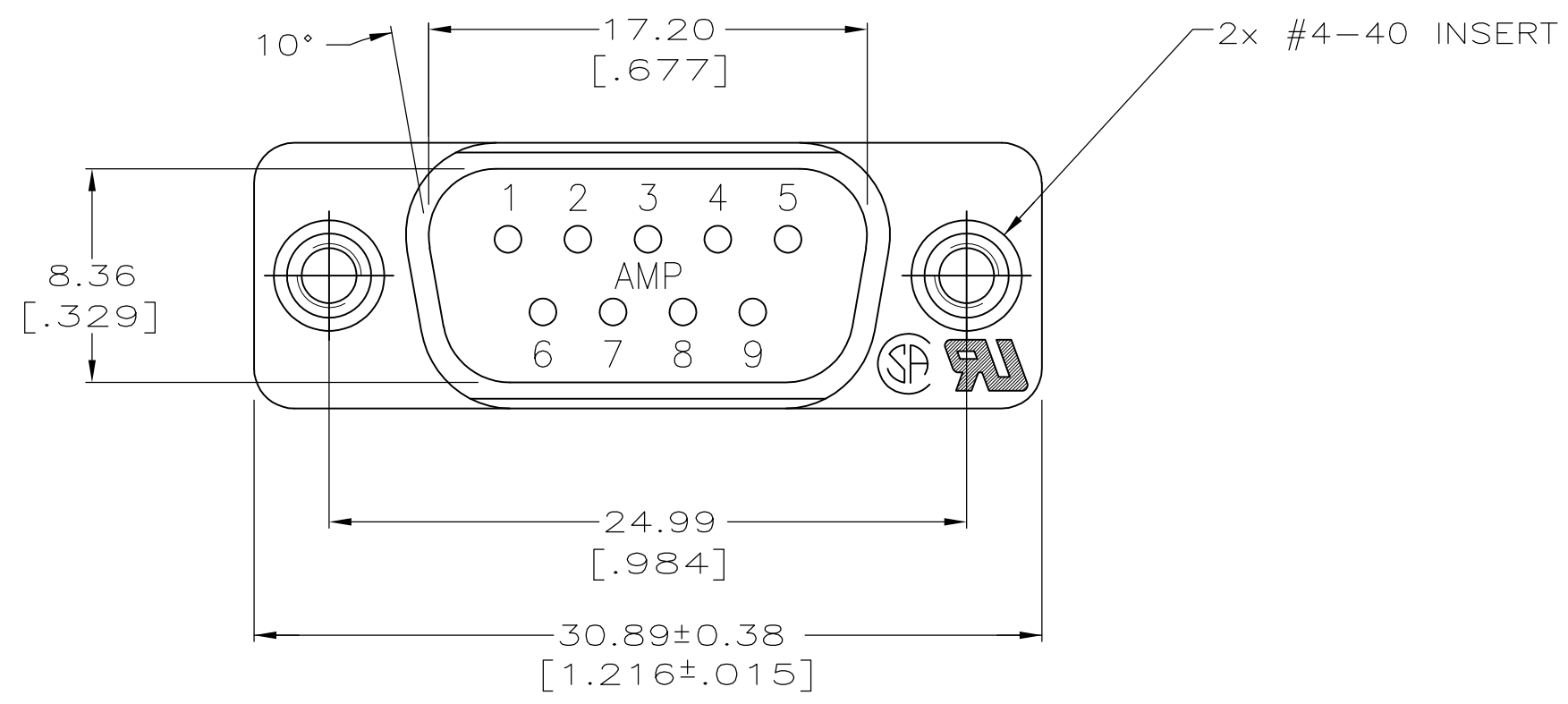
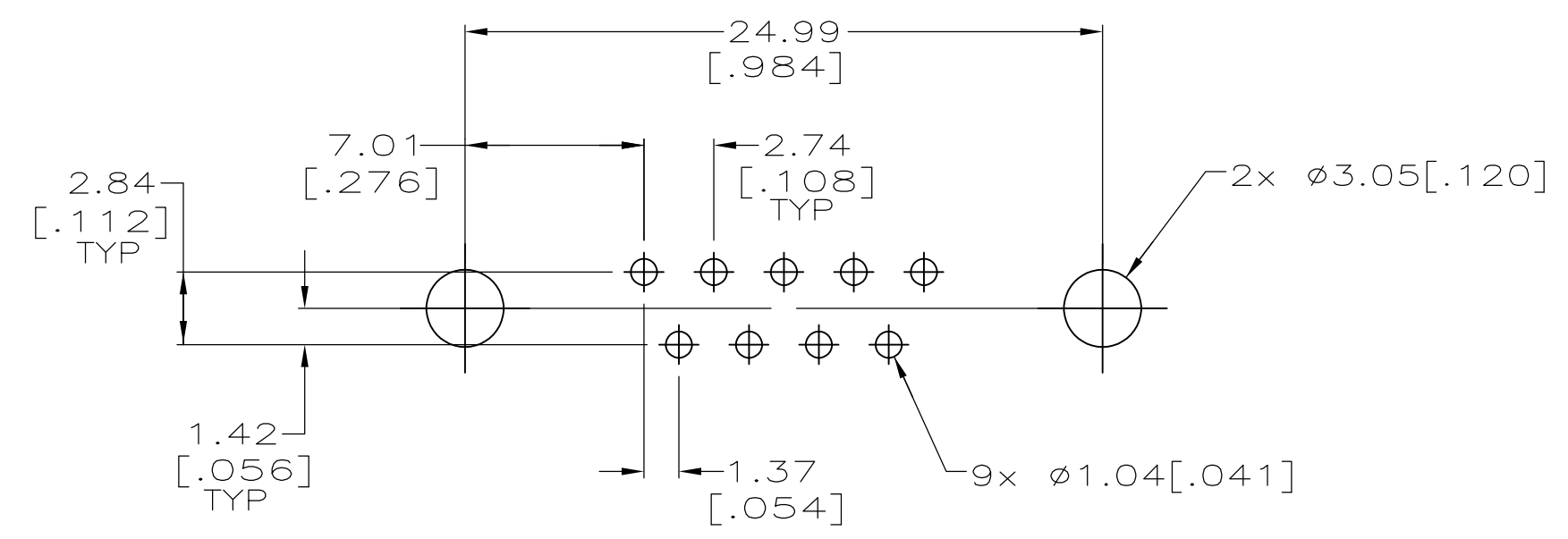
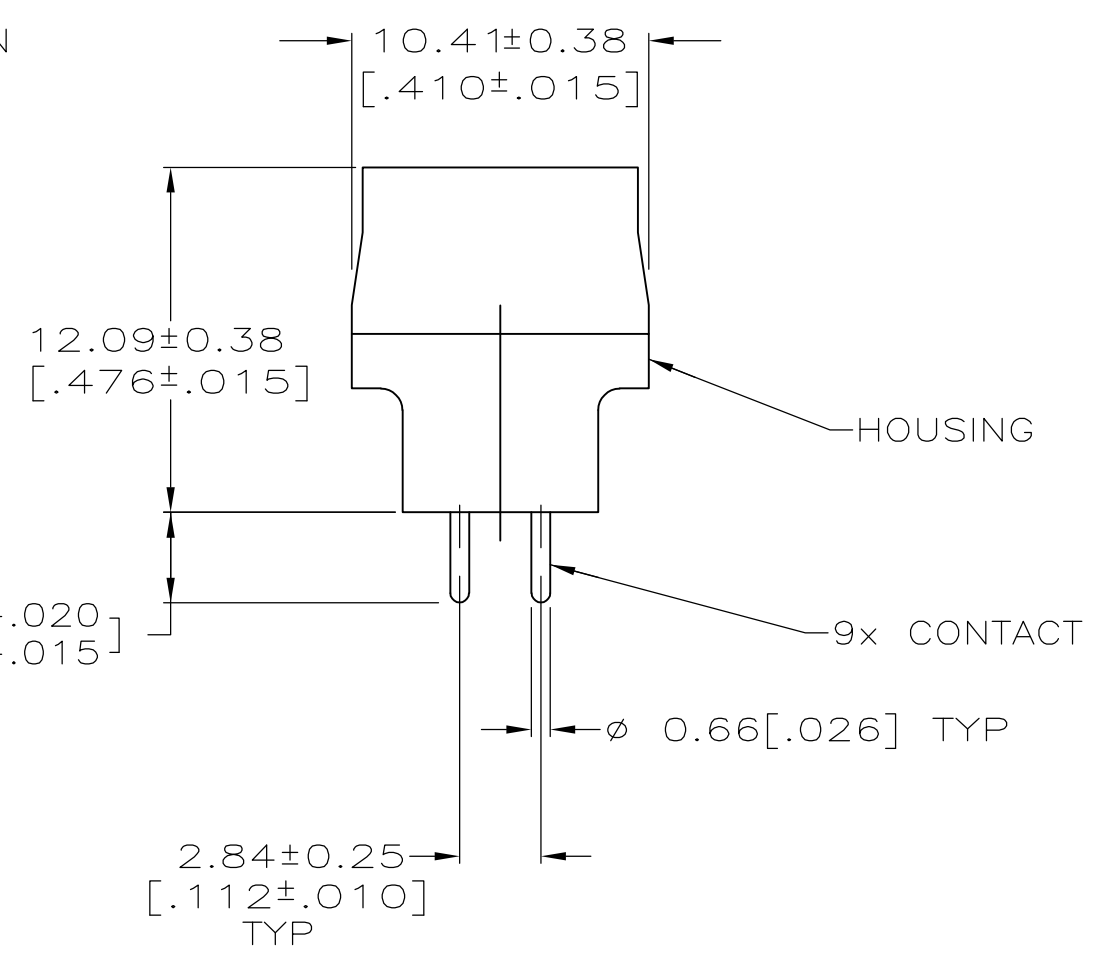
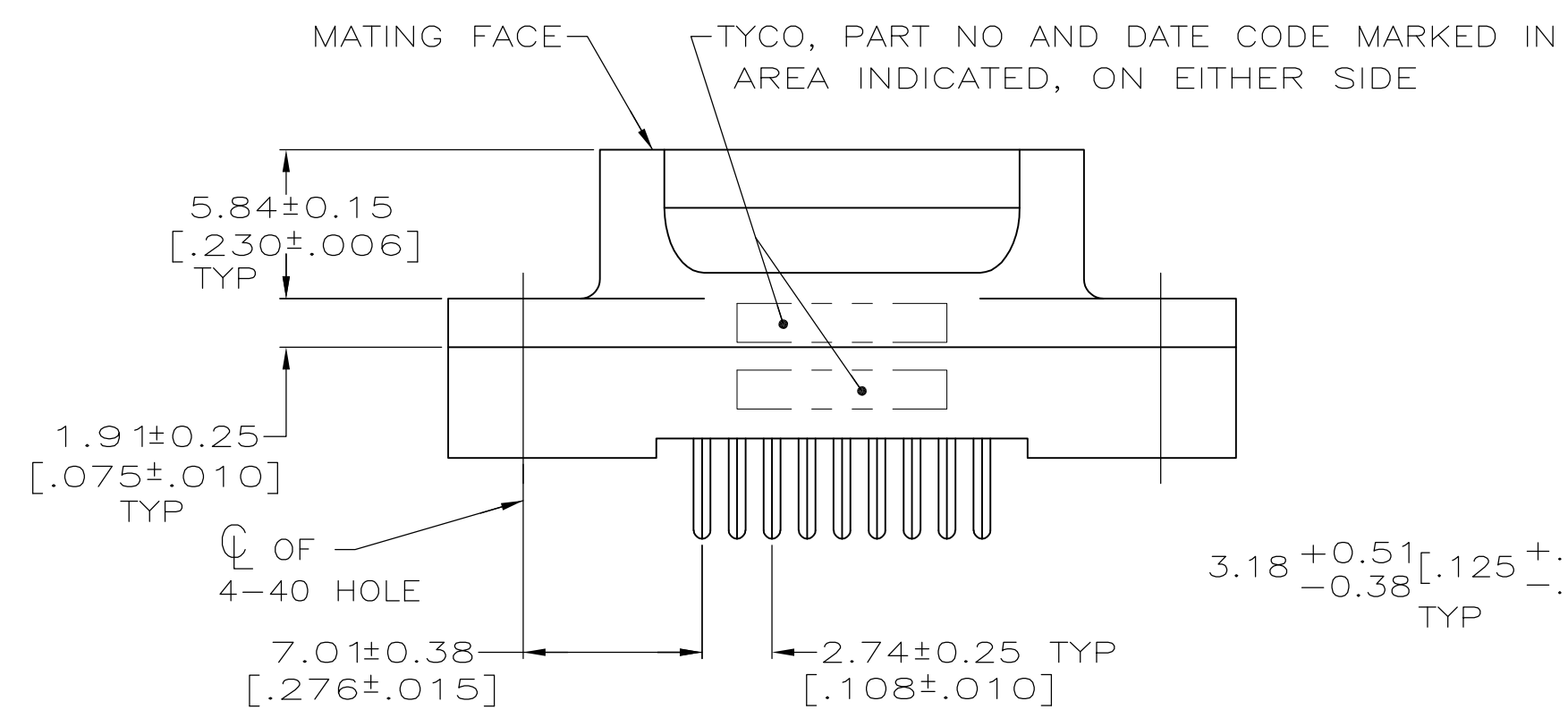


LOC	DIST	REVISIONS			
P	LTR	DESCRIPTION	DATE	OWN	APVD
GP	00	A1	REVISED PER ECO-11-004835	11MAR11	RK HMR



- 1 HOUSING: BLACK POLYESTER, UL 94V-0 RATED; CONTACTS: BRASS
INSERTS: BRASS
- 2 GOLD PLATED FOR A LENGTH OF 3.81 [.150] MIN FROM MATING END, GOLD FLASH IN MATED AREA, 2.54μm [.00010] MIN TIN ON OPPOSITE END, ALL OVER 1.27 μm [.000050] MIN NICKLE.
- 3 GOLD PLATED FOR A LENGTH OF 3.81 [.150] MIN FROM MATING END, 0.76μm [.000030] MIN GOLD IN MATED AREA, 2.54μm [.000100] MIN TIN ON OPPOSITE END, ALL OVER 1.27μm [.000050] MIN NICKEL
-OR-
GOLD FLASH OVER PALLADIUM NICKEL PLATED FOR LENGTH OF 3.81 [.150] MIN FROM MATING END, 0.76μm [.000030] MIN PALLADIUM NICKEL IN MATED AREA, 2.54μm [.000100] MIN TIN ON OPPOSITE END, ALL OVER 1.27μm [.000050] MIN NICKEL.



RECOMMENDED PC BOARD MOUNTING DIMENSIONS

**COPYRIGHT 2005
 TE CONNECTIVITY CORP
 ALL RIGHTS RESERVED**

3	5745051-2
2	5745051-1
CONTACT FINISH	PART NO

THIS DRAWING IS A CONTROLLED DOCUMENT.		DWN G.PETERS 12SEP05	TE Connectivity	PLUG ASSEMBLY, SIZE 1, 9 POSN, VERTICAL, AMPLIMITE HD-20
DIMENSIONS: mm[INCHES]		CHK S.BOLASH 12SEP05		
TOLERANCES UNLESS OTHERWISE SPECIFIED:		APVD M.WALMSLEY 12SEP05		
0 PLC ± - 1 PLC ± - 2 PLC ± 0.13 [.005] 3 PLC ± - 4 PLC ± - ANGLES ± ± 2°		PRODUCT SPEC 108-40025 APPLICATION SPEC - WEIGHT - CUSTOMER DRAWING		
MATERIAL	FINISH SEE TABLE	SIZE A2	CAGE CODE 00779	DRAWING NO 5745051
		SCALE 4:1	SHEET 1 of 1	REV A1

Mouser Electronics

Authorized Distributor

Click to View Pricing, Inventory, Delivery & Lifecycle Information:

[TE Connectivity:](#)

[5745051-2](#)