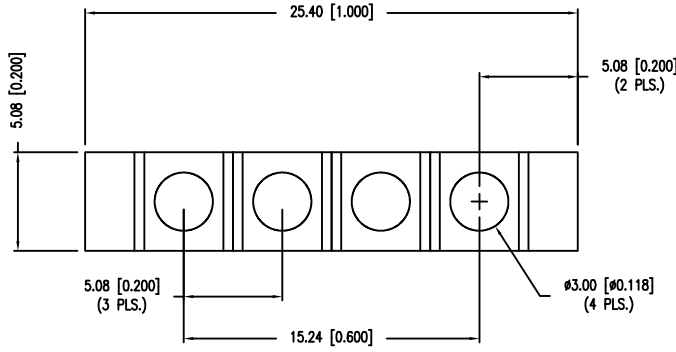
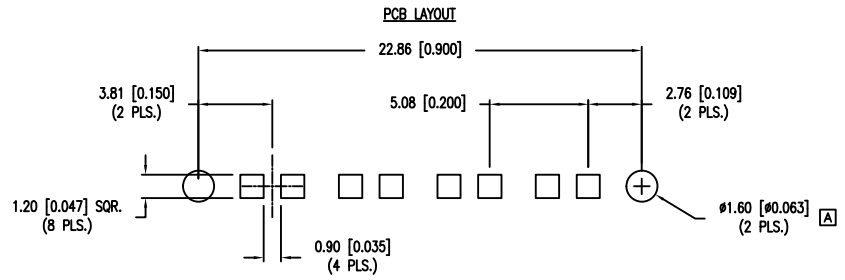
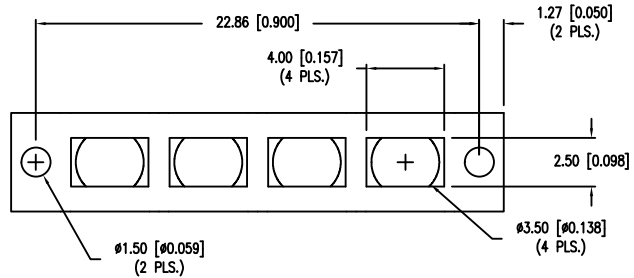
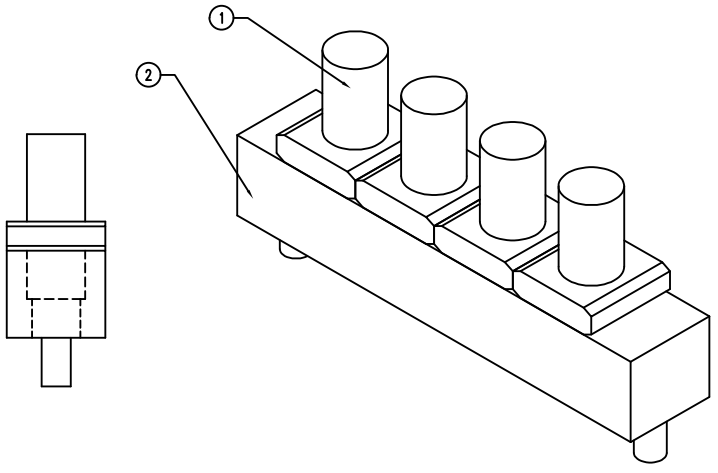
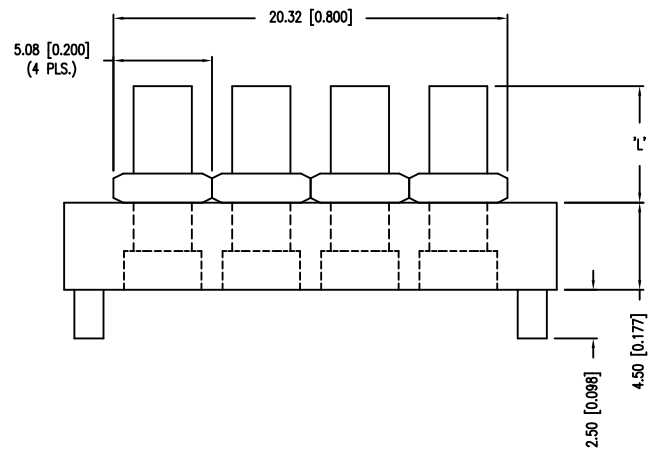


PART NUMBER	LPA-C041301S-X	REV.	B
DATE	E.C.N. NUMBER AND REVISION COMMENTS	REV.	A
10.06.06	E.C.N. #11355.	REV.	B
07.29.16	ECN-Lumex201600037		

DIM 'L'	SUFFIX -X
2mm	-2
4mm	-4
7.5mm	-7.5
10mm	-10
12.5mm	-12.5
15mm	-15
18.5mm	-18.5
20mm	-20
30mm	-30
40mm	-40
50mm	-50
CUSTOM	YOUR LENGTH



- NOTES:
1. MATERIAL: CLEAR POLYCARBONATE, UL94V-0. (LIGHT PIPE)
 2. MATERIAL: BLACK NORLYL, UL 94V-0. (HOLDER)
 3. TEMP. RANGE: -60°C TO +125°C.
 4. RECOMMENDED LED: SML-LX0805xx SERIES.



*UNLESS OTHERWISE SPECIFIED TOLERANCES PER DECIMAL PRECISION ARE: X=±1 (±0.039), X.X=±0.5 (±0.020), X.XX=±0.25 (±0.010), X.XXX=±0.127 (±0.005). LEAD SIZE=±0.05 (±0.002), LEAD LENGTH=±0.75 (±0.030). MIN.= +DECIMAL PRECISION MAX.= +0.00 -DECIMAL PRECISION

LUMEX
Creating LED and LCD Solutions Together™

425 N. GARY AVE.
CAROL STREAM, IL 60188
PHONE: 800-278-5666
FAX: 630-315-2150
WEB: WWW.LUMEX.COM

3mm, QUAD UNIT, VERTICAL SMT LIGHT PIPE.

THE SPECIFICATIONS MAY CHANGE AT ANY TIME WITHOUT NOTICE DUE TO NEW MATERIALS OR PRODUCT IMPROVEMENT.

CONFIDENTIAL INFORMATION
THE INFORMATION CONTAINED IN THIS DOCUMENT IS THE PROPERTY OF LUMEX INC. EXCEPT AS SPECIFICALLY AUTHORIZED IN WRITING BY LUMEX INC., THE HOLDER OF THIS DOCUMENT SHALL KEEP ALL INFORMATION CONTAINED HEREIN CONFIDENTIAL AND SHALL PROTECT SAME IN WHOLE OR IN PART FROM DISCLOSURE AND DISSEMINATION TO ALL THIRD PARTIES.

DATE: 07.29.16	DRAWN BY: E.C.
PAGE: 1 OF 1	CHKD BY: G.Y.
SCALE: NTS	APRVD BY: R.C.
UNIT: mm [INCH]	

Mouser Electronics

Authorized Distributor

Click to View Pricing, Inventory, Delivery & Lifecycle Information:

[Lumex:](#)

[LPA-C041301S-10](#) [LPA-C041301S-20](#) [LPA-C041301S-4](#) [LPA-C041301S-25](#) [LPA-C041301S-30](#) [LPA-C041301S-2](#)