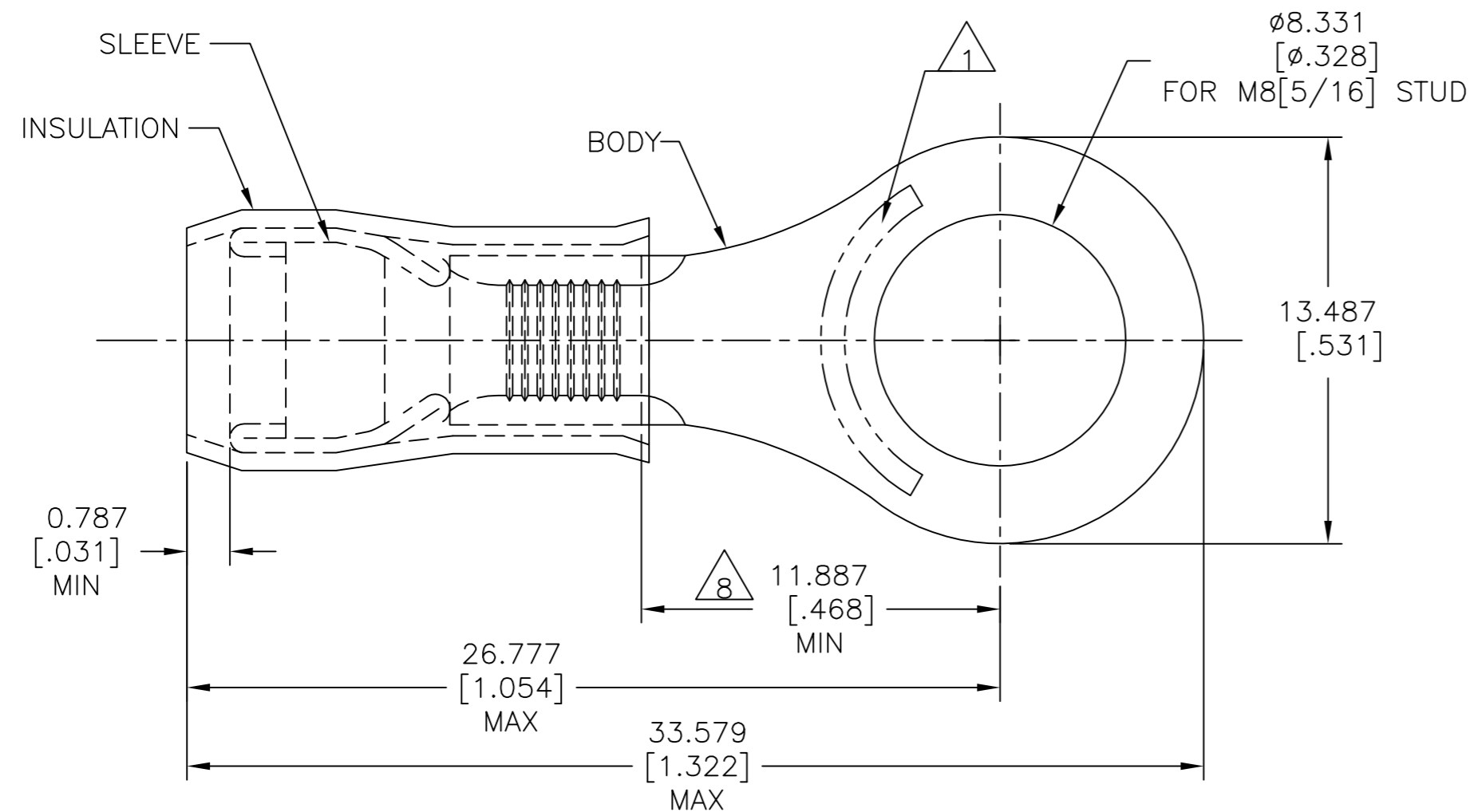
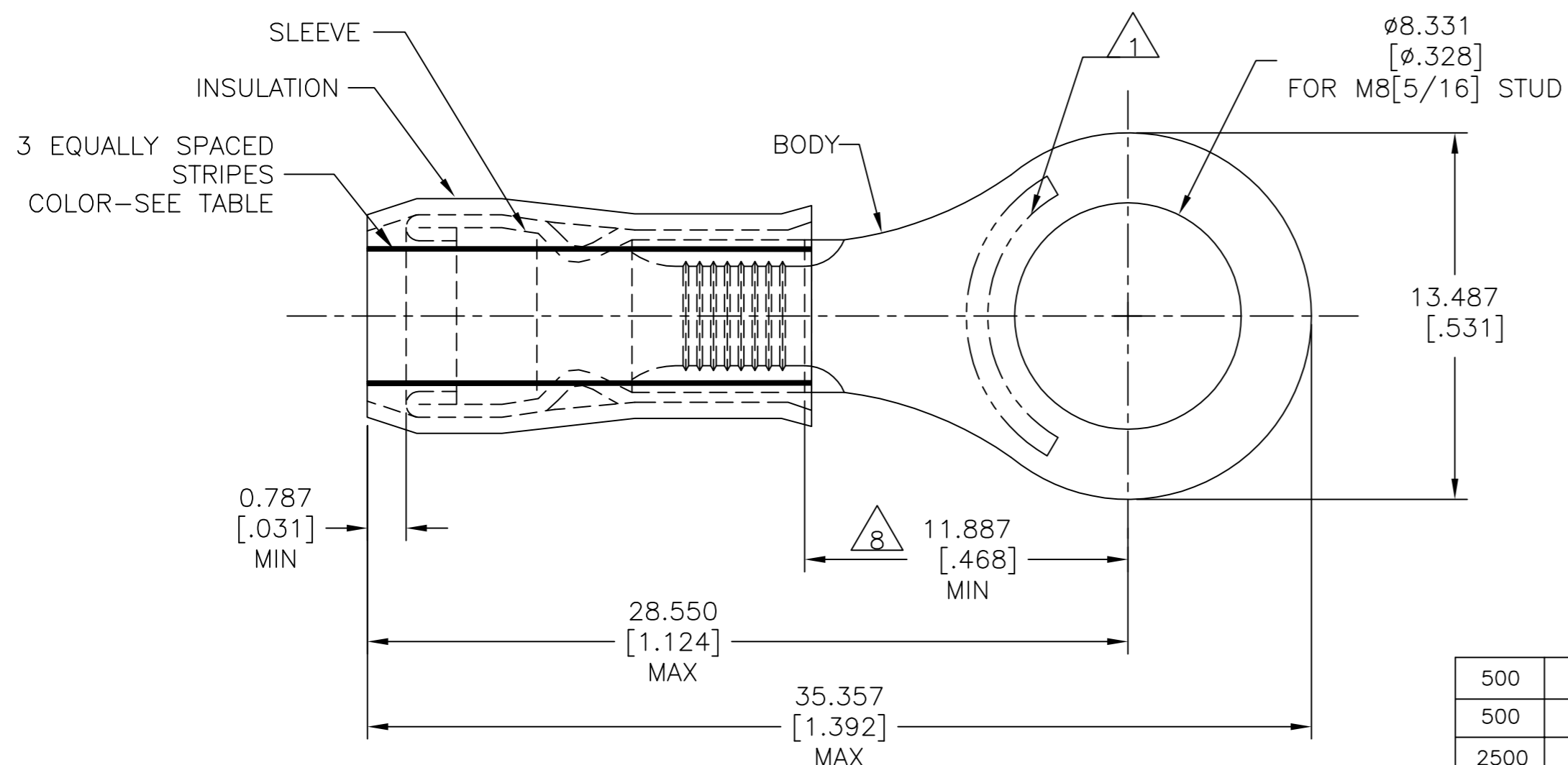


THIS DRAWING IS UNPUBLISHED. RELEASED FOR PUBLICATION  
 © COPYRIGHT - By - ALL RIGHTS RESERVED.

REVISIONS					
P	LTR	DESCRIPTION	DATE	DWN	APVD
U		REVISED PER ECO-14-015277	21FEB2015	NK	DR
U1		REVISED PER ECO-17-007400	27NOV2017	RS	DR



STYLE "A"



STYLE "B"  
INSULATION RESTRICTING

<b>AMP</b> WIRE RANGE	Listed FILE E13288	LR7189 Certified
12-10 AWG SOLID OR STRANDED	12-10 AWG SOLID OR STRANDED $\Delta 13$	12-10 AWG SOLID OR STRANDED $\Delta 13$

- $\Delta 1$  STAMP "AMP - SEE TABLE" APPROX AS SHOWN.
- 2 WIRE INSULATION DIA: SEE TABLE.
- 3 BODY MATERIAL THK: 1.016±0.051[.040±.002]
- $\Delta 4$  FINISH:  
BODY: TIN PLATE 0.00254[.000100] MIN EXT THK PER ASTM B545.  
INSULATION: COLOR-YELLOW.
- $\Delta 5$  FINISH:  
SLEEVE: TIN PLATE 0.00254[.000100] MIN EXT THK PER ASTM B545.  
INSULATION: COLOR-YELLOW.
- $\Delta 6$  FINISH:  
SLEEVE: NICKEL PLATE PER SAE AMS QQ-N-290.  
INSULATION: COLOR-YELLOW.
- $\Delta 7$  MATERIAL:  
BODY & SLEEVE- CU PER ASTM B152  
INSULATION - NYLON PER ASTM D4066
- $\Delta 8$  APPLIES FROM EDGE OF METAL WIRE BARREL  
TO CENTER OF STUD HOLE.
- $\Delta 9$  MEETS MS25036-113, CLASS 1 & 2.
- $\Delta 10$  MEETS MS25036-113, CLASS 2.
- $\Delta 11$  MEETS M7928/1-60, CLASS 1 & 2.
- $\Delta 12$  MEETS M7928/1-67, CLASS 1 & 2.
- $\Delta 13$  STYLE "A" ONLY.

QTY	PACKAGE TYPE	STAMPING	WIRE INSUL DIA	WIRE SIZE	STRIPE COLOR	STYLE	BODY FINISH	SLEEVE FINISH	PART NO
500	LOOSE PIECE	10*	ø3.027-5.100[ø.119-.200]	10	BROWN	"B"	$\Delta 6$	$\Delta 12$	2-320576-3
500	LOOSE PIECE	12*	ø2.413-5.100[ø.095-.200]	12	YELLOW	"B"	$\Delta 4$	$\Delta 11$	2-320576-2
2500	ON TAPE & REEL	12-10*	ø3.810-5.842[ø.150-.230]	12-10	--	"A"	$\Delta 6$	$\Delta 10$	2-320576-1
500	LOOSE PIECE	12-10*	ø3.810-5.842[ø.150-.230]	12-10	--	"A"	$\Delta 5$	$\Delta 9$	320576

<b>CUSTOMER SERVICE SYSTEMS</b> FOR ADDITIONAL PRODUCT INFORMATION OR COPIES OF DRAWINGS AND TECHNICAL DOCUMENTS 1-800-522-6752 FOR APPLICATION TOOLING ASSISTANCE CENTER 1-800-722-1111 FOR ORDER ENTRY 1-800-526-5142		MAX RECOMMENDED OPERATING TEMPERATURE: 105°C[221°F] MAX VOLTAGE RATING: 300 VOLT MAX CIRCULAR MIL AREA: 2.62-6.64mm²[5,180-13,100] STRANDED OR SOLID	THIS DRAWING IS A CONTROLLED DOCUMENT. DIMENSIONS: mm [INCHES] TOLERANCES UNLESS OTHERWISE SPECIFIED: 0 PLC ± - 1 PLC ± - 2 PLC ± - 3 PLC ± 0.127[.005] 4 PLC ± - ANGLES ± - FINISH	DWN JR RUTH 23DEC09 CHK T MICHIELUTTI 23DEC09 APVD T MICHIELUTTI 23DEC09 PRODUCT SPEC UL486 A-B $\Delta 13$ APPLICATION SPEC 114-2157 WEIGHT - CUSTOMER DRAWING	TE Connectivity NAME TERMINAL, RING TONGUE, PIDG (12-10 AWG) PIDG IR (12 & 10 AWG) SIZE A2 CAGE CODE 00779 DRAWING NO C=320576 RESTRICTED TO - SCALE 5:1 SHEET 1 of 1 REV U1
--	--	---	--	---	--