

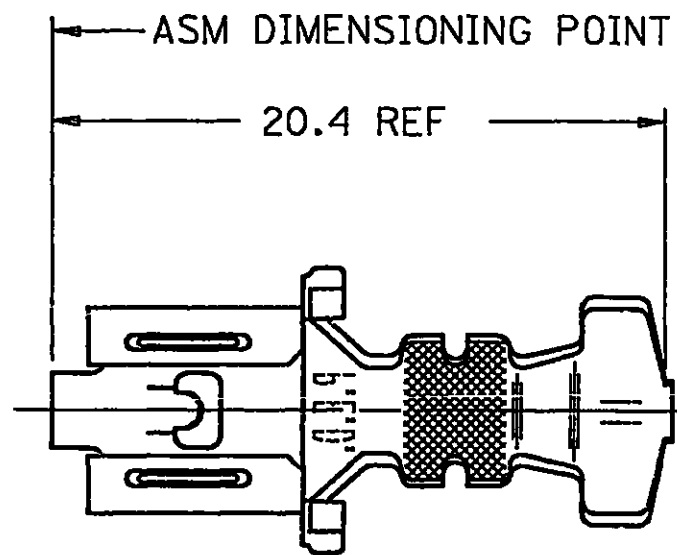
PACKARD ELECTRIC DIVISION  
 GENERAL MOTORS CORPORATION  
 WARREN, OHIO

D

THIS DRAWING AND DESIGN HEREON CONSTITUTES A PROPRIETARY DESIGN OF PACKARD ELECTRIC DIVISION AND IS NOT TO BE DUPLICATED OR REPRODUCED WITHOUT AUTHORITY OF PACKARD ELECTRIC DIVISION.

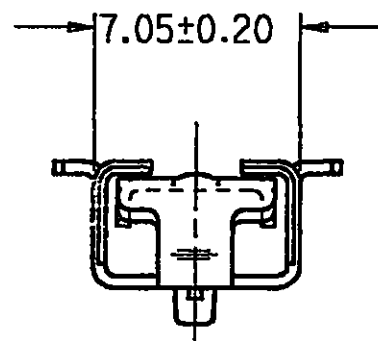
DO NOT SCALE

PART NO.  
 1203 4001

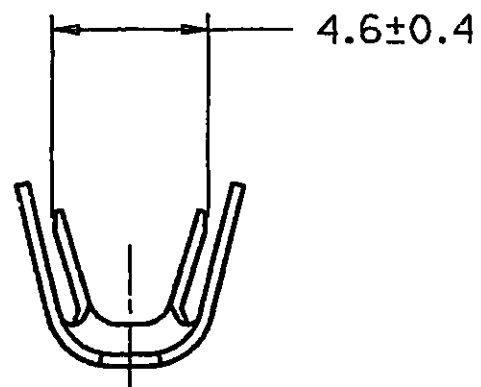


INSULATION WINGS FOR  
5.24 MM MAX INSUL DIA

CONDUCTOR WINGS FOR  
5.0-3.0 MM<sup>2</sup> CABLE



5.20



DATE	SYM	N/P	REVISION RECORD	AUTHORITY	DR	CK
18JL88	-	-	REDRAWN & REVISED; REMOVED			
			"PATENT PENDING"; SHT #4 WAS			
			SHT #2 IN REF NO; REV LEVEL			
			REMAINS AT "D"	120124	AL	DKS
18JL88	E		PICTURE REVISED	120126	AL	DKS
30JN93	F		REVISED GRAPHICS & 5.20 WAS 5.40	154898	RLB	BKD
05FE09	07		WAS UNPLATED AND MAT'L			
			SPEC WAS S-1519030	407263	EFS	FKV
01JL11	07	AA	UPDATED MAT'L CALLOUT	414727	AHY	GEM

PED/INTEGRAL  
EMS

FILE bdeu  
/usr2/bdeu/4001.plt  
SPEC: 01-SEP-1993 17:04

THIRD ANGLE PROJECTION



METRIC

DIMENSIONS ARE IN MILLIMETERS  
UNLESS OTHERWISE SPECIFIED.

CODE NO.

6900

TOLERANCE UNLESS  
OTHERWISE SPECIFIED

DECIMAL: ANGULAR ± 2°  
ONE PLACE ± 0.3  
TWO PLACE ± 0.15

Q.C.

DWG. DATE

17MY82

SCALE NONE

DR.

EST. NO.

CK. F. HESTON

DATE 12JA85

REFERENCE NO. SHEET #4

APPR.

DATE

12015135 "D" SIZE

APPR. R. D. KEARNS

DATE 31JA85

MATERIAL SPEC.

TIN PLATING COPPER ALLOY

NAME

TERM F M/P 630 SPL PLATED TANG

PART NO.

1203 4001

SIZE

OUTLINE DRAWING

B

# Mouser Electronics

Authorized Distributor

Click to View Pricing, Inventory, Delivery & Lifecycle Information:

[Aptiv:](#)

[12034001-L](#) [12034001-MR](#)